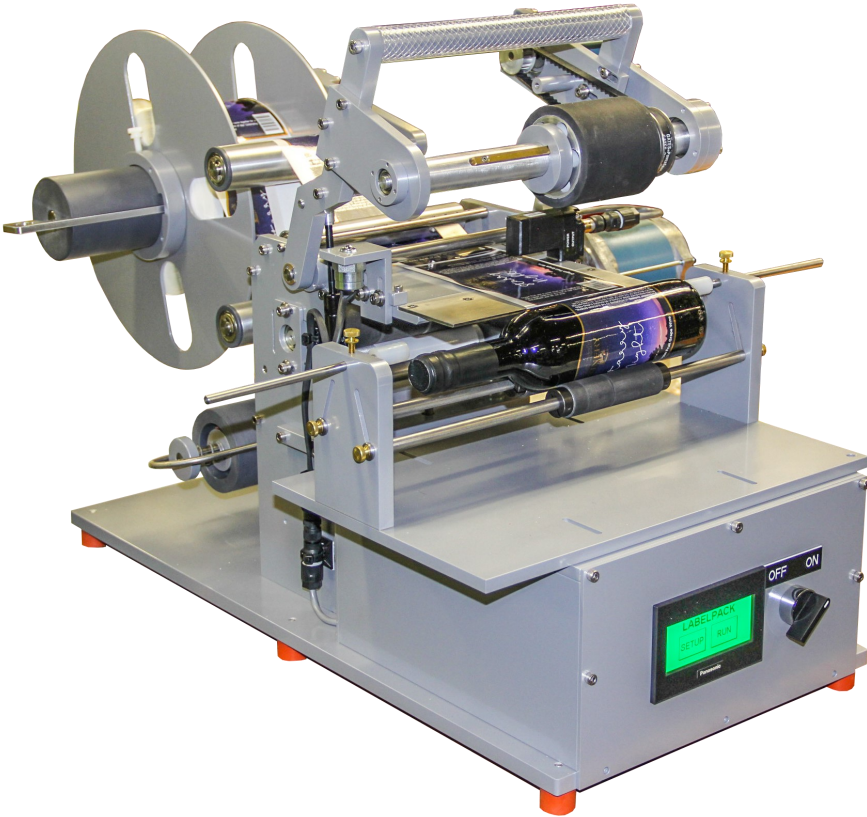


# Model 130 Tabletop Wrap



The 130 Tabletop Wrap applies labels to round products with no need for compressed air. Just place your product in the caddy and press the foot switch. A top hold down is provided for empty or lighter containers.

***LABELPACK***<sup>®</sup>  
AUTOMATION

## FEATURES:

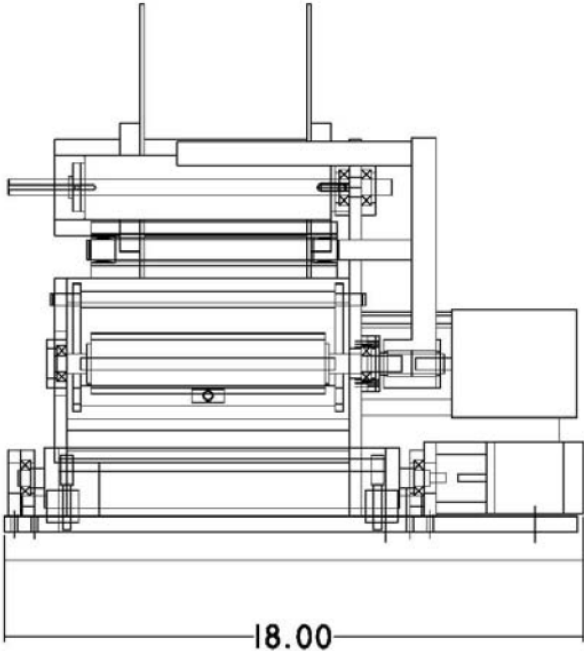
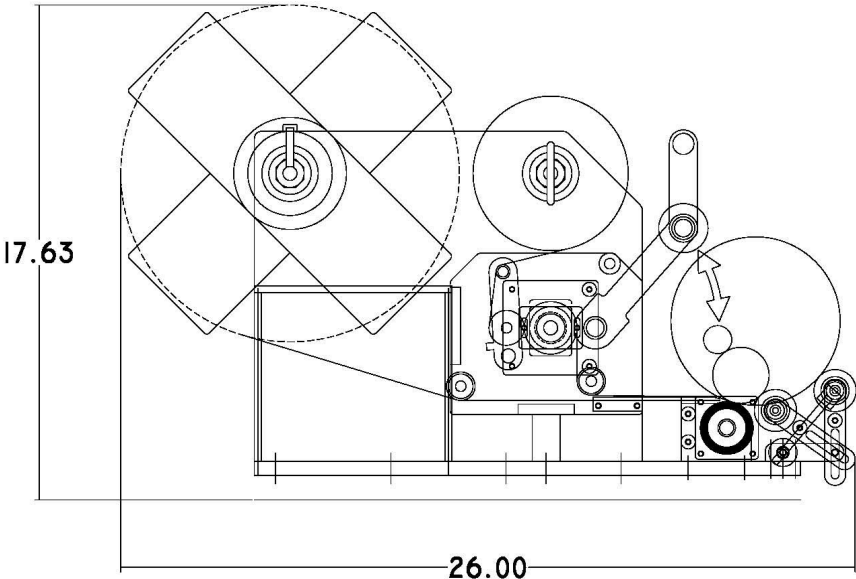
- Does not require compressed air
- Heavy-duty construction
- Easy-access label threading
- Easy-access product caddy
- Simple operation
- Winds up scrap liner
- Quick and easy changeover between products
- Single or front/back label application

## OPTIONS:

- Custom caddy for larger or smaller products
- Oversized frame for wider labels
- Compliant rollers for glass bottles with uneven sides
- Custom mandrel and label handling for tapered products
- Hot stamp for date coding
- Clear label sensor
- Label counter

**LabelPack Automation,  
Inc.**  
20 Russell Boulevard  
Bradford, PA 16701  
Phone: 888-579-1528  
Fax: 814-362-7330  
sales@lpautomation.com

# Model 130 Tabletop Wrap



## Specifications:

- 12" label supply roll
- 6.25" maximum label width
- 12" caddy width
- 1.5" – 10" product diameter
- 115 VAC electric supply
- Must be opaque, die cut label