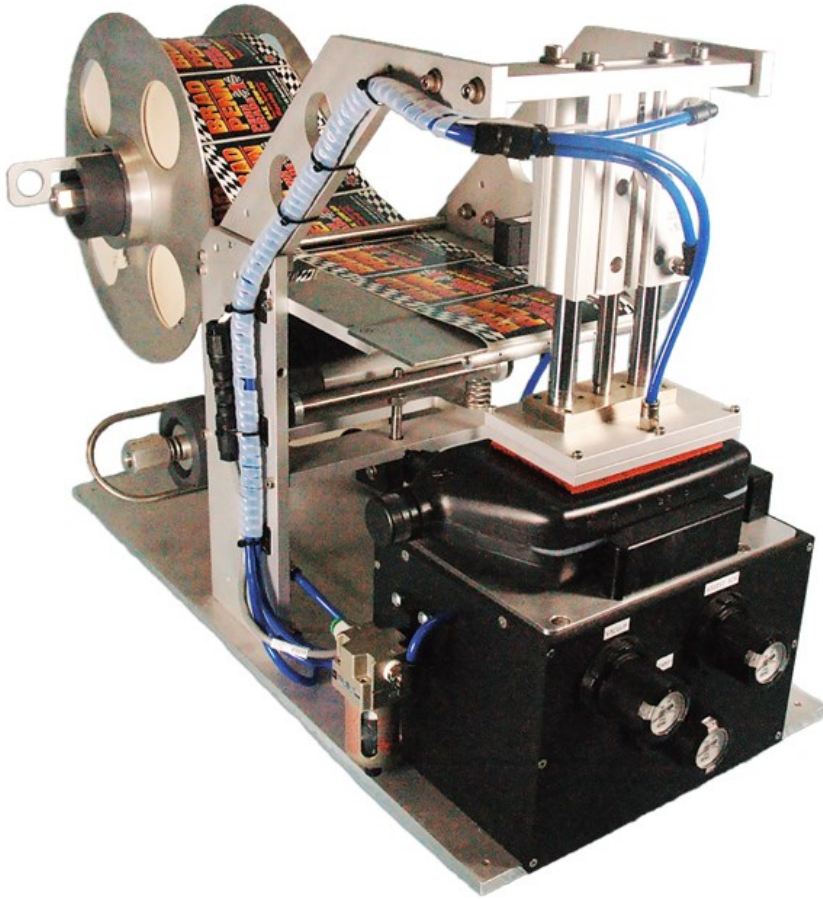


Model 120 Tabletop Tamp



The model 120 Tabletop Tamp Labeler provides a semi-automatic method to apply labels and gaskets to flat or slightly curved surfaces. Custom label pads and product fixture accommodate any product shape.

Applications include bags, boxes, flat containers, rectangular objects.

LABELPACK®
AUTOMATION

FEATURES:

- Heavy-duty construction
- Direct drive label motor
- Photoelectric label sensor
- Integrated product sensor
- Custom-made product fixture
- Custom-made vacuum tamp pad
- PLC-based controls
- Intuitive touchpad interface
- Easy access label threading

SPECIFICATIONS:

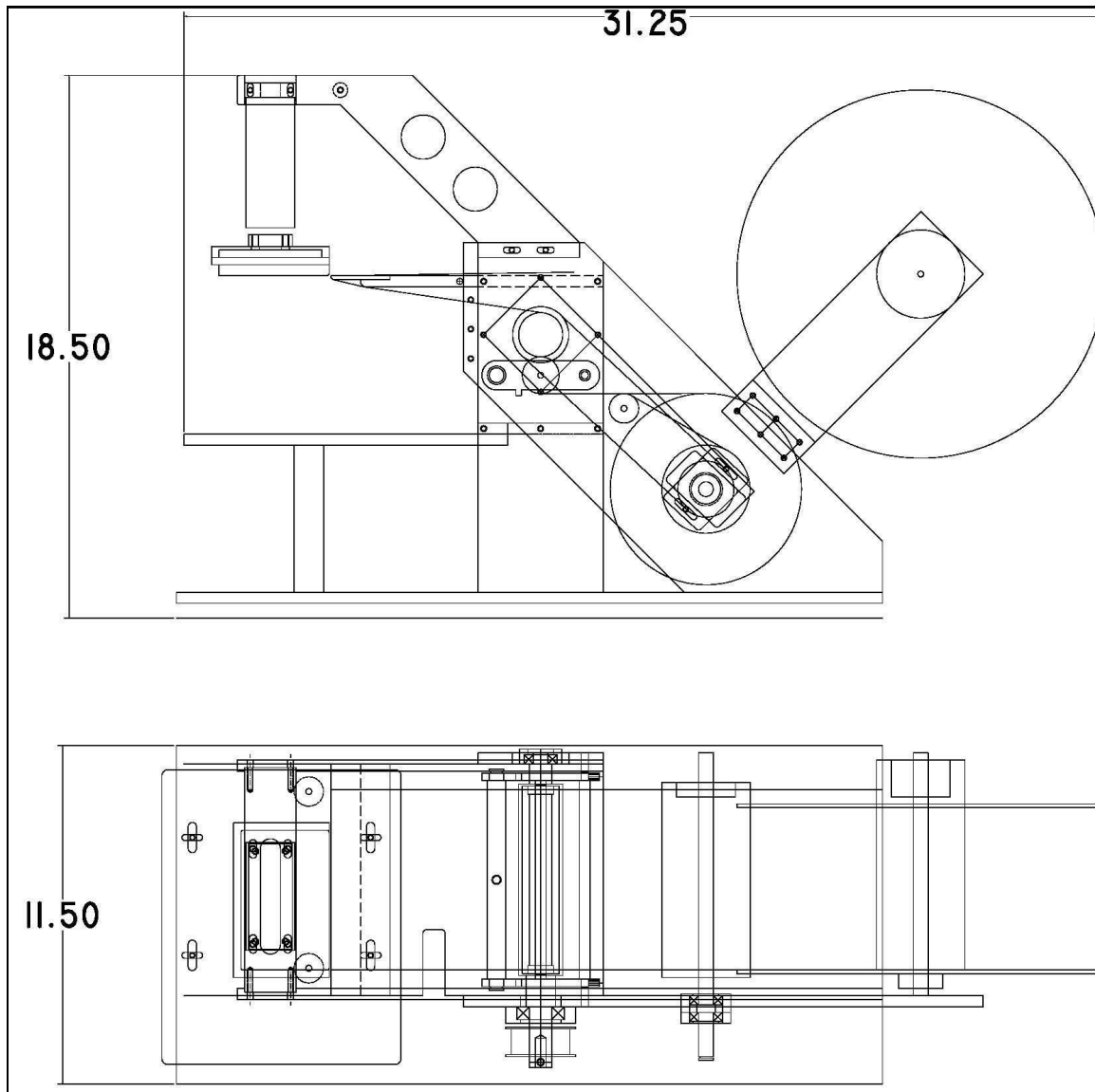
- 12" label supply roll
- 6.25" maximum label width
- 115 VAC electric supply
- 60 PSI compressed air

OPTIONS:

- Clear label sensor
- Additional vacuum pads for multiple label sizes
- Footswitch operation
- Air-blast label wipe-down for rounded products
- Drawer-slide product fixture
- Extra-wide label capacity
- Hot stamp lot coder
- Label counter

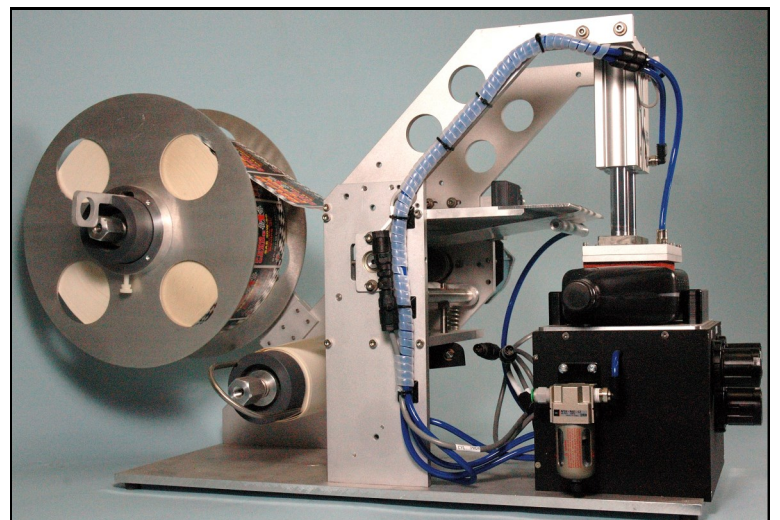
LabelPack Automation, Inc.
20 Russell Boulevard
Bradford, PA 16701
Phone: 888-579-1528
Fax: 814-362-7330
sales@lpautomation.com
www.lpautomation.com

Model 120 Tabletop Tamp



Specifications:

- 12" label supply roll
- 6.25" maximum label width
- 115 VAC electric supply
- 40 PSI compressed air



LABELPACK®

AUTOMATION