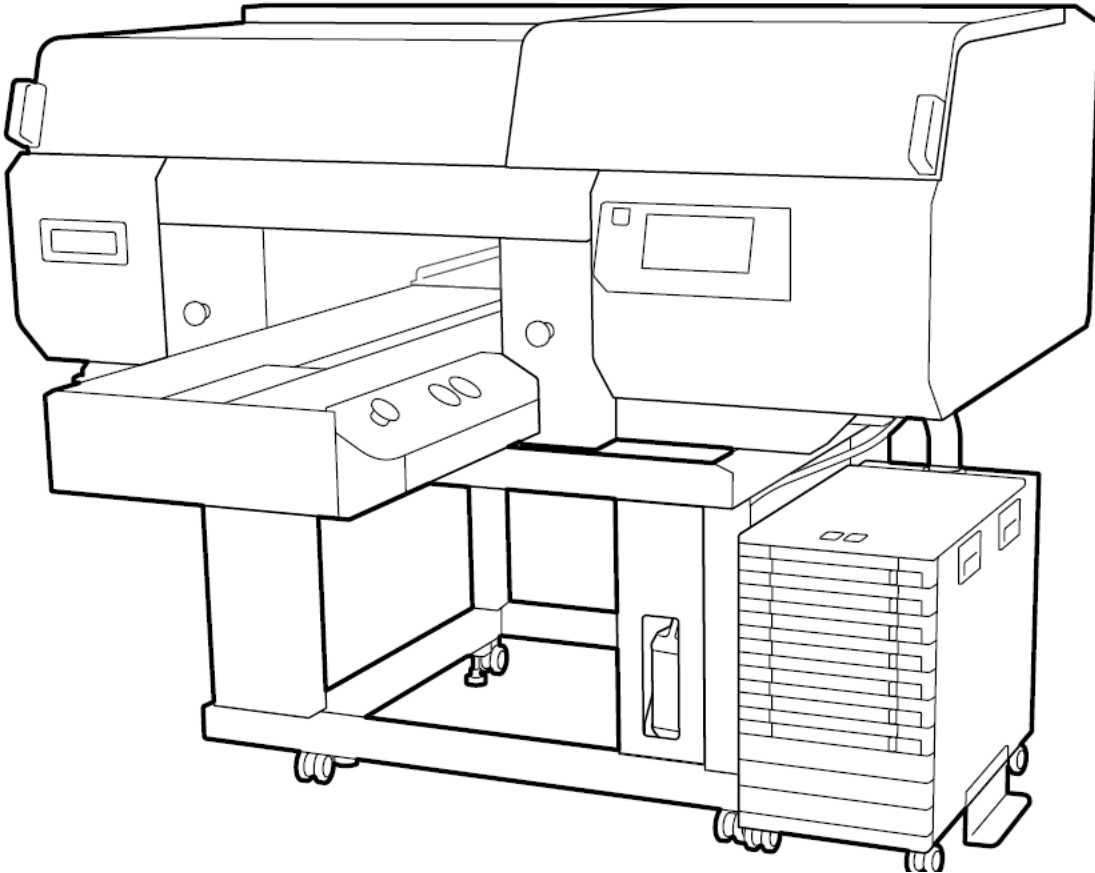


Epson® SureColor® F3070

Site Survey



The person responsible for conducting the survey must initial the confirmation boxes in this document to confirm that all requirements have been met.

If any of the information on the survey is inaccurate, customer is responsible for the cost of additional installation visit(s).

Dealer to email completed survey and Customer Agreement page(s) to EpsonSiteSurvey@ea.epson.com

Customer Information

Company Name	
Address City, State, Zip	
Contact Name	
Phone Number	
Email Address	
Dealer Name	

Site Survey Conducted by

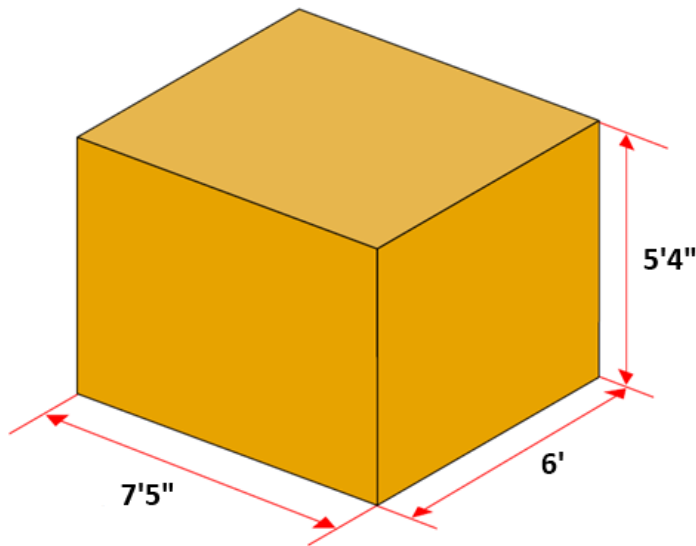
Company Name	
Name	
Phone Number	
Email Address	

Delivery/Freight Requirements

Description	Requirements	Confirmation (answer Yes/No)
Vehicle restrictions	Are there any vehicle restrictions at the facility, such as height constraints, city center restrictions, or dock constraints? If Yes, describe constraints below:	Y <input type="checkbox"/> N <input type="checkbox"/>
Unloading area	Is a loading dock and forklift available at the installation site?	Y <input type="checkbox"/> N <input type="checkbox"/>
	If there is no loading dock, is there is enough room outside the facility to unload the printer from a lift gate truck?	Y <input type="checkbox"/> N <input type="checkbox"/>

Carry-in route	<p>Are all doorways and halls between the unpacking site and the installation site of sufficient width to accommodate the printer?</p> <p>Recommended width of doorways 6'5" minimum. Unit Dimensions: 5'7" W x 5'10" D x 4'4" H</p> <p>If No, describe issue below:</p>	Y <input type="checkbox"/> N <input type="checkbox"/>
Moving to upper floor	<p>Will the printer be delivered to an upper floor within the facility? If Yes, specify floor and room below:</p>	Y <input type="checkbox"/> N <input type="checkbox"/>
	<p>Can the freight elevator, or equivalent, accommodate the size and load bearing requirements of the package? See dimensions below.</p>	Y <input type="checkbox"/> N <input type="checkbox"/>
	<p>If using a crane, have all preparations have been made for the following?</p> <ul style="list-style-type: none"> • When using a sling: Provide a stable support for the printer. Provide protection to ensure the sling wire does not touch and damage the printer. • When using a gondola lift: Use a gondola lift that will be able to contain the main unit. 	Y <input type="checkbox"/> N <input type="checkbox"/>
Unloading equipment	<p>Is a forklift available for unloading the packages from a truck and unloading the main unit on a pallet? See forklift requirements below:</p> <ul style="list-style-type: none"> ▪ Load bearing: 1.65 tons or more ▪ Length of forks: <ul style="list-style-type: none"> - When moving the carton/load handling: <ul style="list-style-type: none"> 3' 9.2" (Forks inserted from the depth direction) 7' 6.5" (Forks inserted from the length direction) - When moving the main unit <ul style="list-style-type: none"> 3' 11.2" (Forks inserted from the depth direction) <p>*Select equipment so that packages can be moved safely according to the fork insertion direction.</p>	Y <input type="checkbox"/> N <input type="checkbox"/>
Personal Protective Equipment (PPE)	<p>Does the facility require any PPE equipment to enter (e.g, goggles, hard hat, mask, gloves)?</p>	Y <input type="checkbox"/> N <input type="checkbox"/>
Certificate of insurance	<p>Does the building require a certificate of insurance?</p>	Y <input type="checkbox"/> N <input type="checkbox"/>

■ Package Dimensions

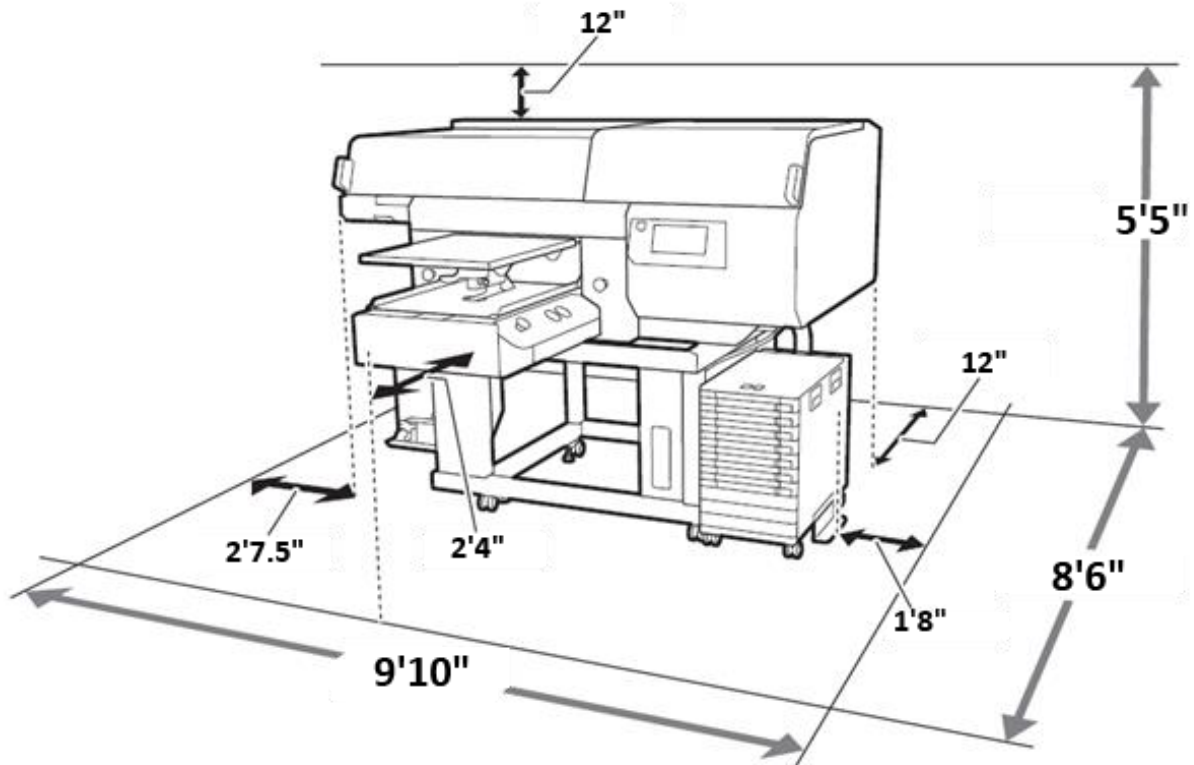


Weight = 1,102 lb, 5 oz

Installation Room Requirements

Description	Requirements	Confirmation (answer Yes/No)
Floor space	Is there enough space to install the printer? See diagram below.	Y <input type="checkbox"/> N <input type="checkbox"/>
Floor protection	Is floor protection required to transport the product inside the facility? If Yes, specify type of protective material required (e.g., cardboard, plywood, metal)	Y <input type="checkbox"/> N <input type="checkbox"/>
Floor load bearing	Will the floor support 72 lb/ft ² ? *Reinforce the floor if necessary.	Y <input type="checkbox"/> N <input type="checkbox"/>
Floor stability	Is the floor level and stable (vibration free)?	Y <input type="checkbox"/> N <input type="checkbox"/>
Temperature	Can the following environmental conditions be met? - During initial ink charge: 50 ~ 95°F - When printing: 59 ~ 77°F	Y <input type="checkbox"/> N <input type="checkbox"/>
Humidity	Can the following environmental conditions be met? 40 ~ 60% RH	Y <input type="checkbox"/> N <input type="checkbox"/>

Cleanliness	Can the following conditions be met? - No dirt or dust accumulation. - No source of dust, such as a carpet, nearby.	Y <input type="checkbox"/> N <input type="checkbox"/>
Environment	Can the following environmental conditions be met? - Area not in direct sunlight. - Area not directly under a heating/cooling vent.	Y <input type="checkbox"/> N <input type="checkbox"/>
Electrical Outlet	Can the following power requirements be met? - Single-phase AC100~240 V +/- 10% (50/60 Hz), 16 A x 2line - The following safety equipment is installed in accordance with the local electrical code. - Overcurrent protection breaker: Recommend 16 ~20 A - Ground-fault circuit interrupters (GFCI) Recommended Sensitivity current 30 mA (Depends on local electrical safety regulations.) - Grounding	Y <input type="checkbox"/> N <input type="checkbox"/>
AC power cable	Can these power cable requirements be met? - Power cable corresponding to the above power source x 2 cables. - Power cables comply with local electrical code.	Y <input type="checkbox"/> N <input type="checkbox"/>
Network	Is an Ethernet connection available?	Y <input type="checkbox"/> N <input type="checkbox"/>



Waste Ink Disposal

Description	Requirements	Confirmation (answer Yes/No)
Waste Ink Disposal	The correct method for disposing waste ink (according to local ordinances) has been verified? *Visit Epson for ink Safety Data Sheet (SDS) documents.	Y <input type="checkbox"/> N <input type="checkbox"/>

Workstation Requirements

Description	Requirements	Confirmation (answer Yes/No)
Internet Access	Is an internet connection available?	Y <input type="checkbox"/> N <input type="checkbox"/>
Minimum Computer Specs (PC & MAC)	Does the computer meet these minimum specifications? - Multicore processor - 2GB RAM Memory - 32GB Free Storage Space - 1024x768 Monitor	Y <input type="checkbox"/> N <input type="checkbox"/>

Order Configuration and Details

If the customer wishes to perform print-head replacements, one of the Self-Repair Plans below must be purchased.

In addition, the Epson Agreement for Print Head Self-Service must be signed and returned with this Site Survey.

Description	Available Plans	Confirmation (initial the box below)
Available Product SKU:	List by SKU number (check all that apply): SCF3070PE – SureColor F3070 Production Edition EPPF3070INS – SureColor F3070 Installation Plan EPPF3070FS1 – Extended Service Plan – 1 Year – Full Service EPPF3070SS1 – Extended Service Plan – 1 Year – Self Repair EPPF3070SS3 – Extended Service Plan – 3 Year – Self Repair EPPF3070SS5 – Extended Service Plan – 5 Year – Self Repair	
Company Name	Enter Company Name	

Company Ship-to Address	Enter Company Address
-------------------------	-----------------------

Survey Sign-off

Customer Name (Printed)	Customer Signature	Date

If there are any concerns or issues, please describe in detail below:

--