

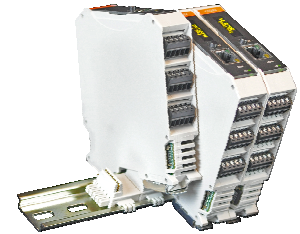
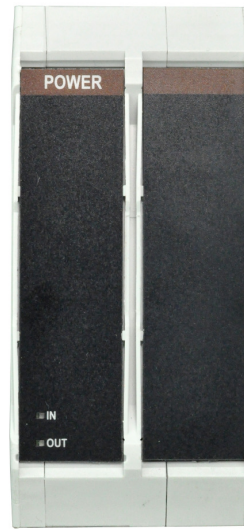
MODULUS

60W Power Supply Modules

8x-9001 (12V 5A)
8x-9002 (24V 2.5A)

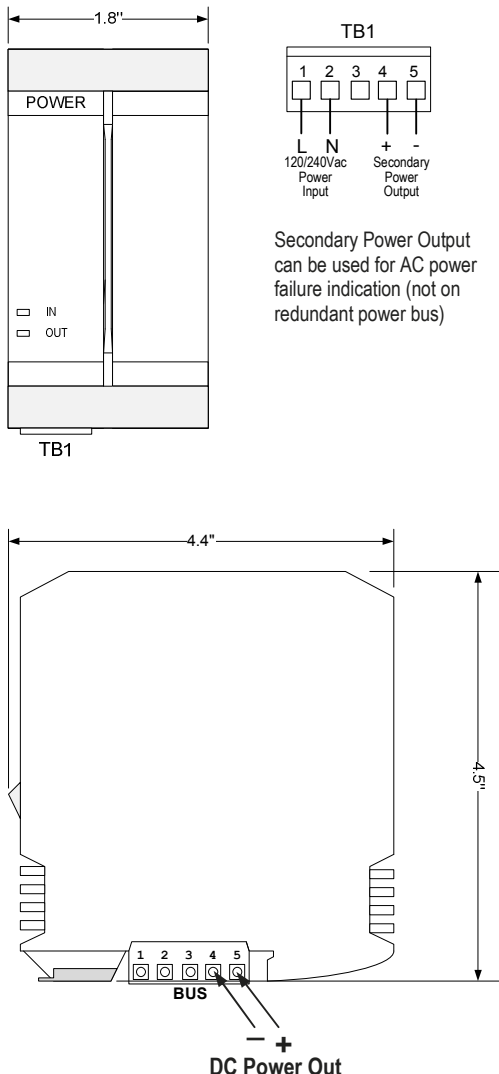
Modulus 60W Power Supply modules convert 120V or 240V incoming AC power to clean regulated DC power for Modulus SCADA Controllers. The modules are DIN rail mounting and snap onto the same buss connector system that links Modulus I/O modules together, eliminating manual DC power wiring.

Modulus 60W Power Supply modules support redundancy with automatic switchover and “hot swapping” for high up-time systems without the need for any additional components. The power supplies are available in two output configurations: 12V@5A and 24V@2.5A. Both are rated for operation from -30°C to 70°C and both include incoming power surge, overload and overvoltage protection.



Modulus 60W Power Supply Module

- AVAILABLE AS 12 AND 24V MODELS
- BUILT-IN REDUNDANCY / HOT SWAP SUPPORT
- SURGE, OVERLOAD AND OVERVOLTAGE PROTECTED
- WIDE OPERATING TEMPERATURE RANGE
- DIN RAIL SNAP-ON MOUNTING—NO DC POWER WIRING REQUIRED



Modulus 60W Power Supply Module Specifications

Input

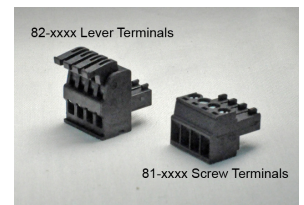
Input Voltage Range:	[81-900x] 85 to 264VAC (screw style terminal plug)
	[82-900x] 85 to 160VAC (lever style terminal plug)
Input Current:	1.8A @ 115VAC, 1A @ 230VAC
Inrush Current:	30A @ 115VAC, 60A @ 230VAC
Input Frequency Range:	47 to 440Hz
Efficiency:	[8x-9001] (12Vdc) 87.5%
	[8x-9002] (24Vdc) 90%

Output

Rated Output Power:	60W (derate linearly to 50% from 50°C to 70°C)
Output Voltage/Current:	[8x-9001] 12Vdc +/- 2.5%, 5A
	[8x-9002] 24Vdc +/- 2.5%, 2.5A
Line Regulation:	+/- 0.5%
Load Regulation:	[8x-9001] +/- 1.0%
	[8x-9002] +/- 0.5%
Input Frequency Range:	47 to 440Hz
Efficiency:	[8x-9001] (12Vdc) 87.5%
	[8x-9002] (24Vdc) 90%
Overload Protection:	115% to 160% of rated power, automatic recovery
Overvoltage Protection:	[8x-9001] 12.6Vdc to 16.2Vdc
	[8x-9002] 25.2Vdc to 32.4Vdc

General

Wiring Termination:	[81-000x] screw terminal blocks
	[82-000x] lever terminal blocks
	3.5mm, 22 to 14GA wires
Temperature:	-30°C to 70°C (operating)
	-40°C to 85°C (storage)
Humidity:	20% to 90% RH (non-condensing)
Enclosure:	Polyamide, light gray (RAL 7035)
Mounting:	35mm DIN rail with Modulus bus connector block
MTBF:	1226Khrs min. MIL-HDBK-217F (25°C)



Specifications subject to change without notice.
Consult factory to ensure that you are working with current information.



www.iclinks.com
530.888.1800