

Cloud Connect® Gateway

Data Node

Multi channel data transmitter

Seamless data transfer into Kuntze Cloud Connect®. All System relevant information like measurement values, controller information, settings and more are automatically transferred via the Cloud Connect® Gateway. Connect one or more Kuntze single or multi-channel water monitoring systems and benefit from the possibilities of Cloud Connect®.

Connect to your Kuntze systems remotely, monitor and apply changes with ease and get a deep understanding of your application.



Advantages

Values

- > More efficient monitoring and management of all sensors
- > Reduced maintenance costs through faster detection and response to critical sensor events
- > Increased productivity through focused sensor maintenance and flexible optimization of measurement environments
- > Easy, remote use on stationary and mobile devices through the Cloud Connect® service

Data utilization

- > Centralized dashboards
- > Visualization of device and sensor locations
- > Real-time measurement data, available 24/7
- > Setup and manage alarms
- > Report events such as calibration messages or relay activations
- > Remote access from anywhere
- > Data logging via native smartphone app "DPD2CC"

Data Node

Applications



Cooling Water



Process Water



Desinfection



Drinking Water /
Beverages



Food



Waste Water
Treatment



Pool & Spa

Technical Data

Input/Output characteristic

Input Connections

RS 485 Modbus RTU (Only to Kuntze Neon® and Neon Multi®)
Ethernet RJ45
Optional 2G/3G/4G Modem

Power supply

Line voltage
Power consumption
Operation Temperature
Ingress Protection

85.. 265 V AC, 47.. 63 Hz; option: 24 V DC
20 VA
0.. 50 °C (32 .. 122 °F)
IP65

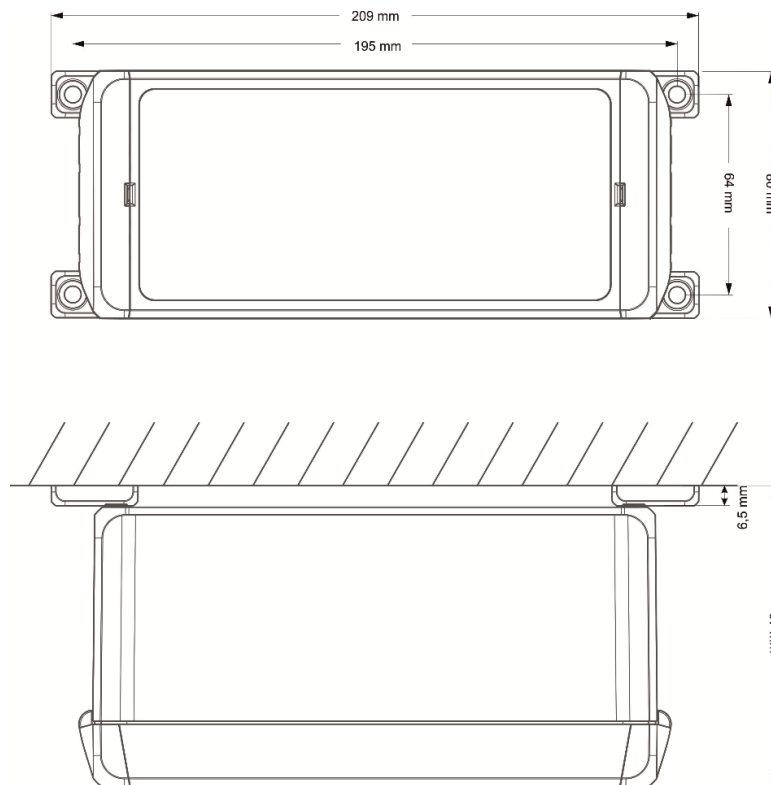
Certificates and approval

CE-Symbol

The product meets the requirements of the harmonized European standards and complies with the legal requirements of the EC directives
EN 61000 6-1 (3) EN 61000 6-2 (4) EN 61326

EMC

Mechanical drawing



Cloud Connect®

Controlled water measurement process at any time, from any place, on any device.





Kuntze Instruments GmbH
Robert-Bosch-Str. 7a
40688 Meerbusch
Germany

+49 2150 70660
info@kuntze.com
www.kuntze.com