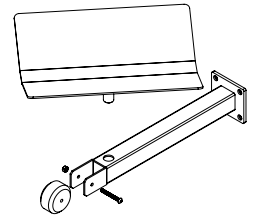
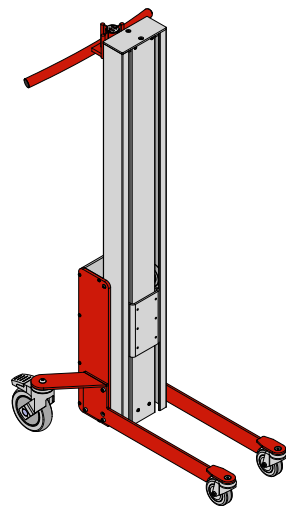
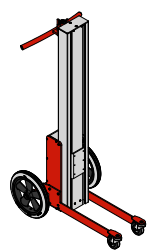
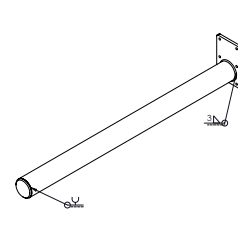
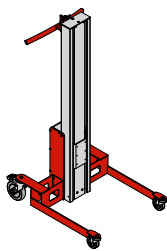
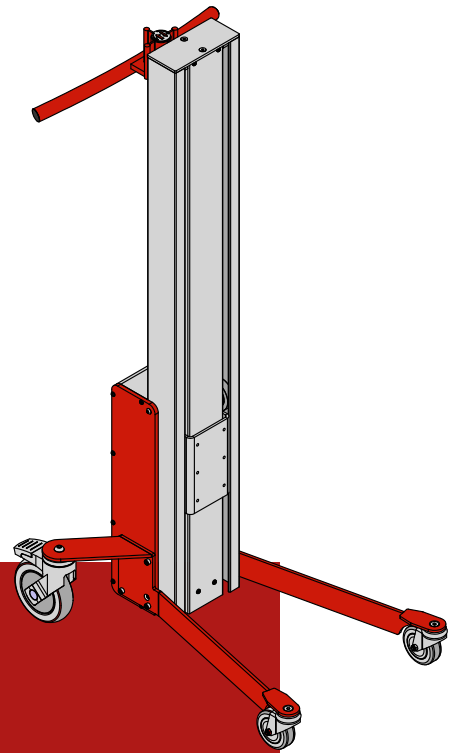


IMPACT 70 LIFTERS & TOOLS

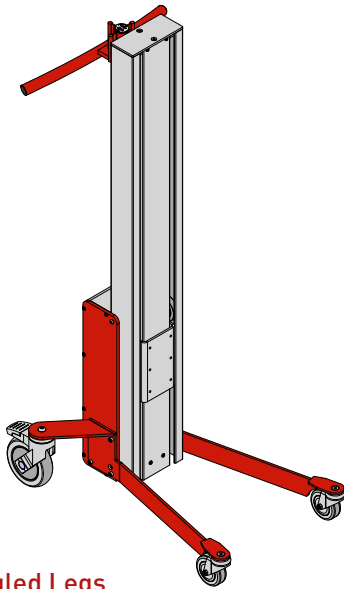
- DRAWINGS & MEASUREMENTS



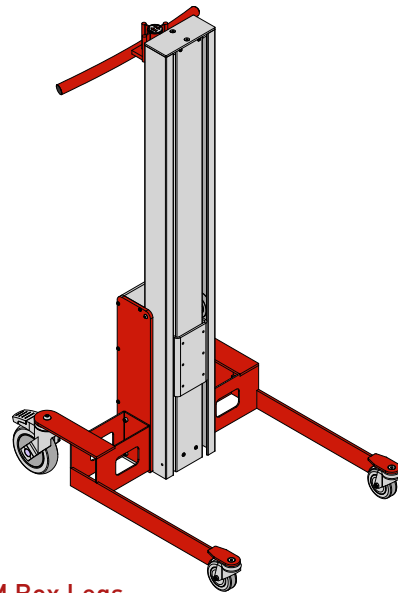
HOVMAND
LIFTING & MOVING TECHNOLOGY

IMPACT 70

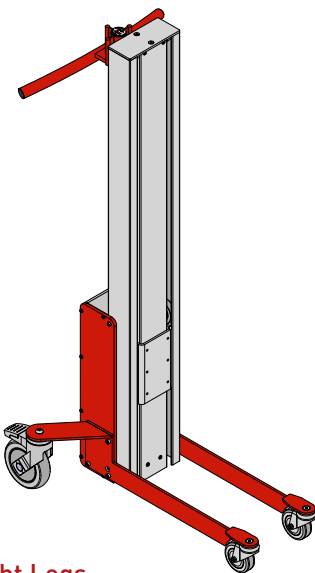
3 MAST HEIGHTS AND 4 LEG TYPES



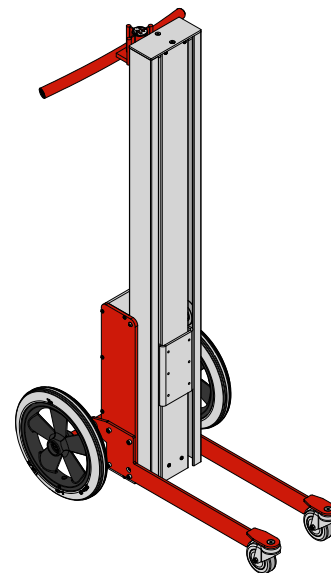
70S/L/M Angled Legs



70S/L/M Box Legs



70S/L Straight Legs

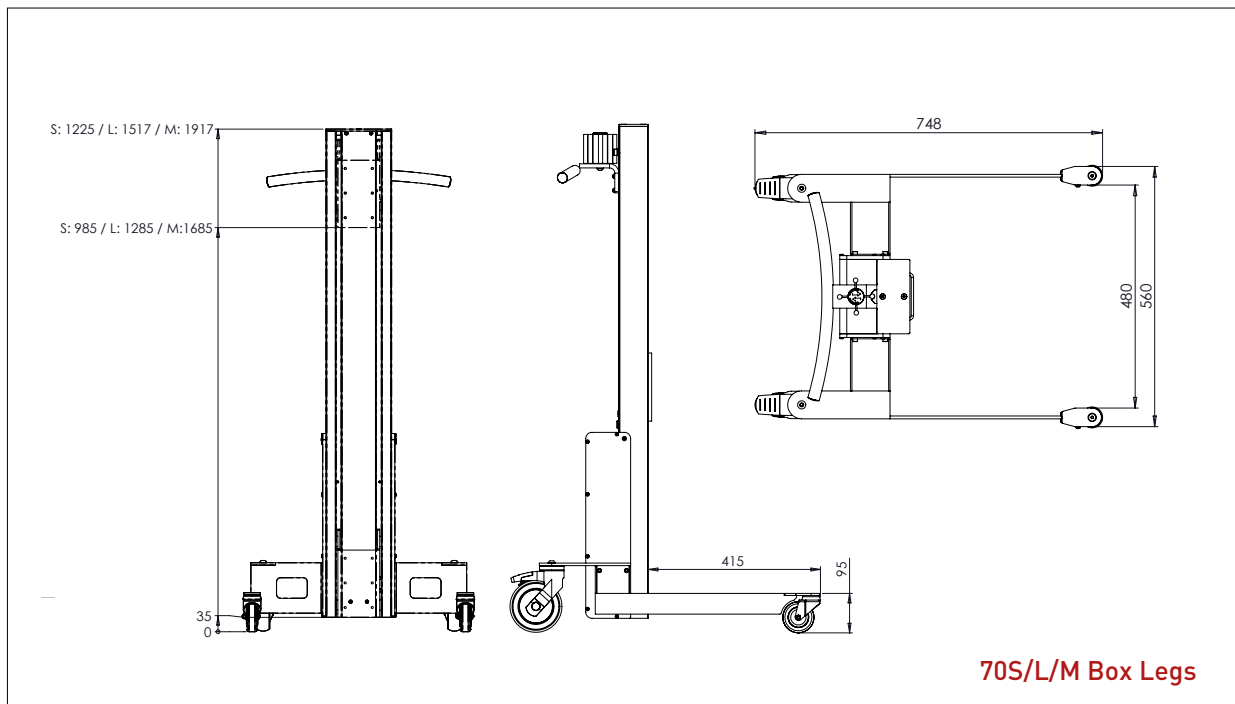
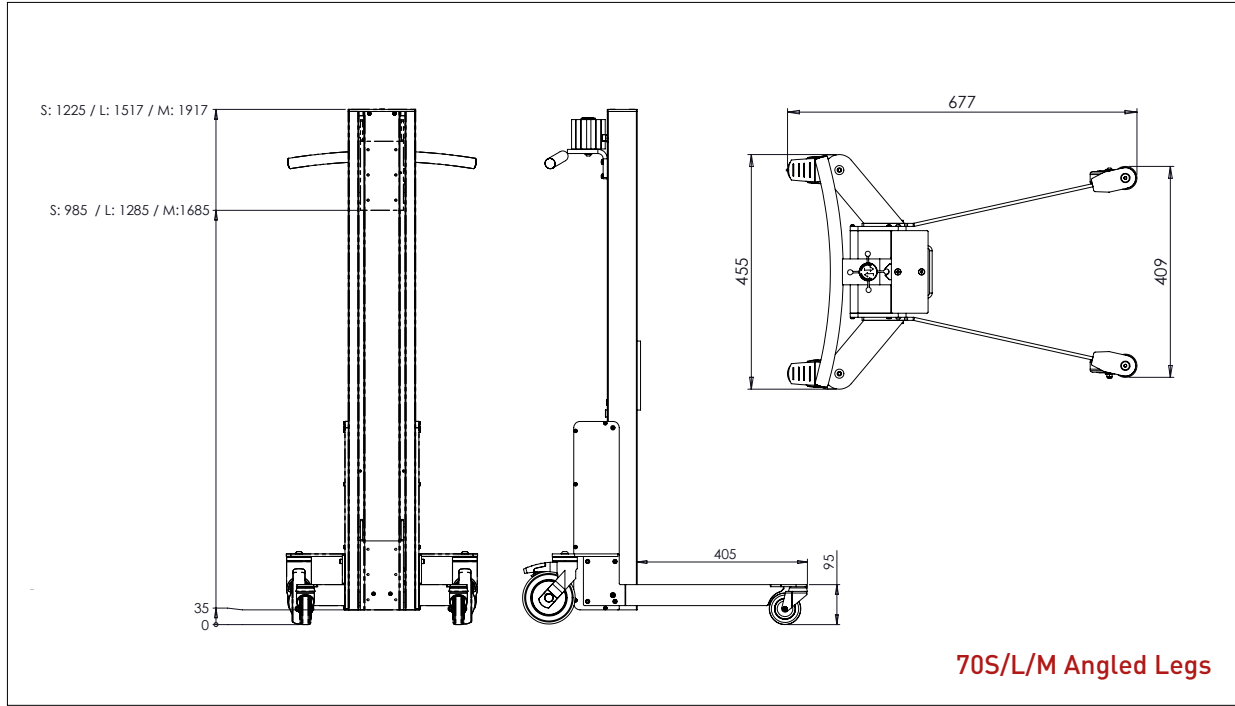


70S Truck Legs

IMPACT 70

LIFTERS - DRAWINGS & MEASUREMENTS

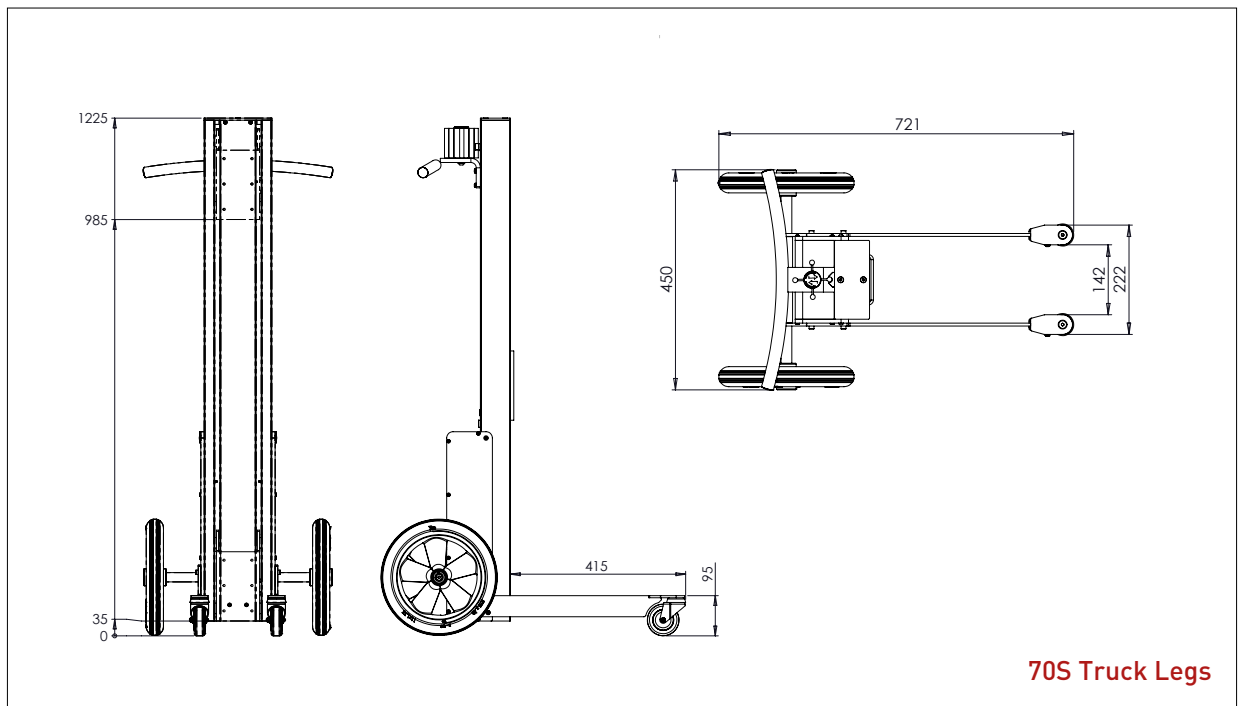
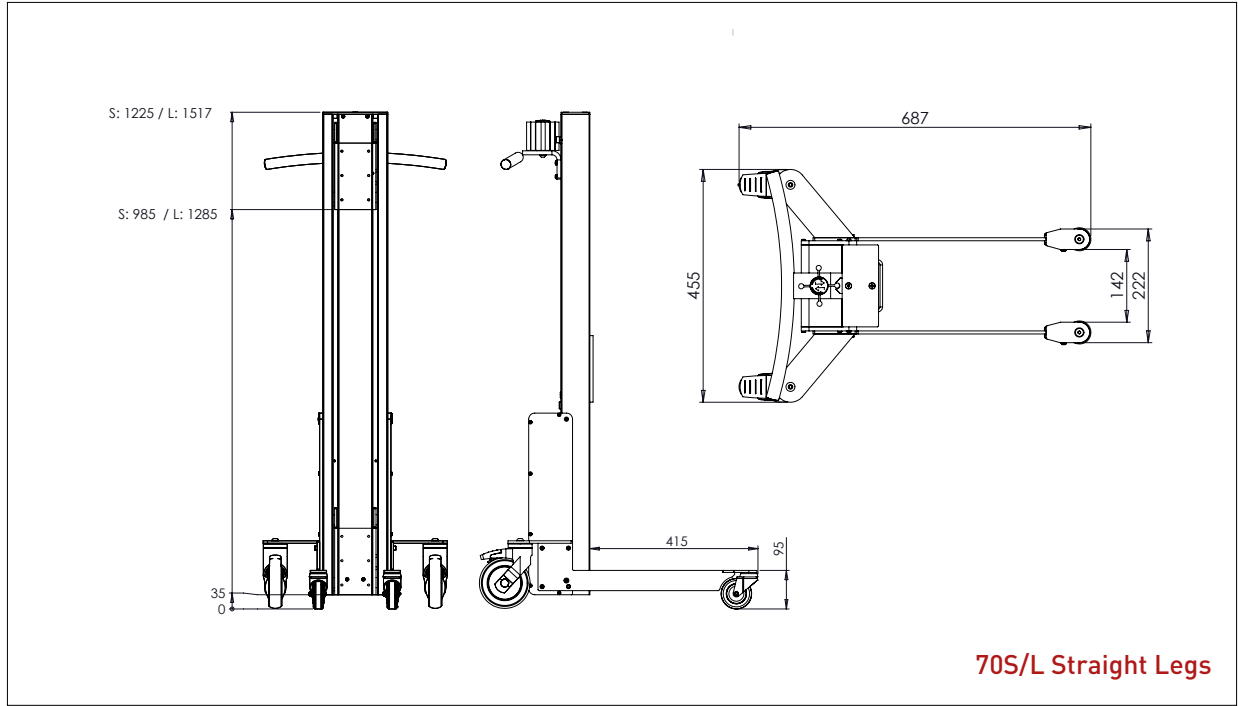
- All measurements in mm



IMPACT 70

LIFTERS - DRAWINGS & MEASUREMENTS

- All measurements in mm



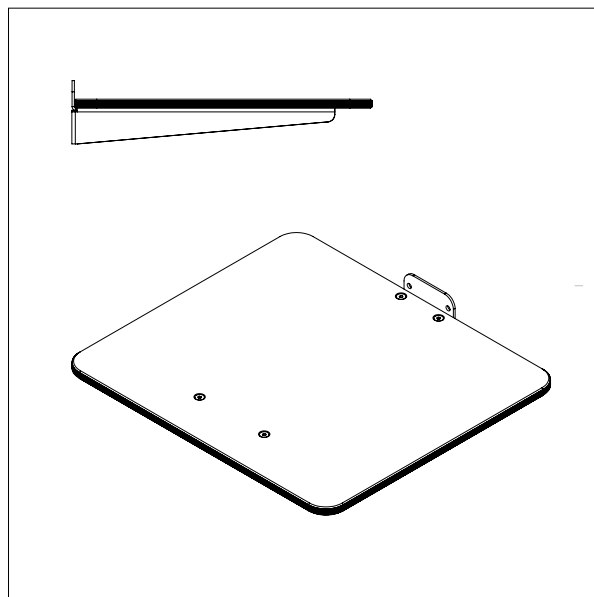
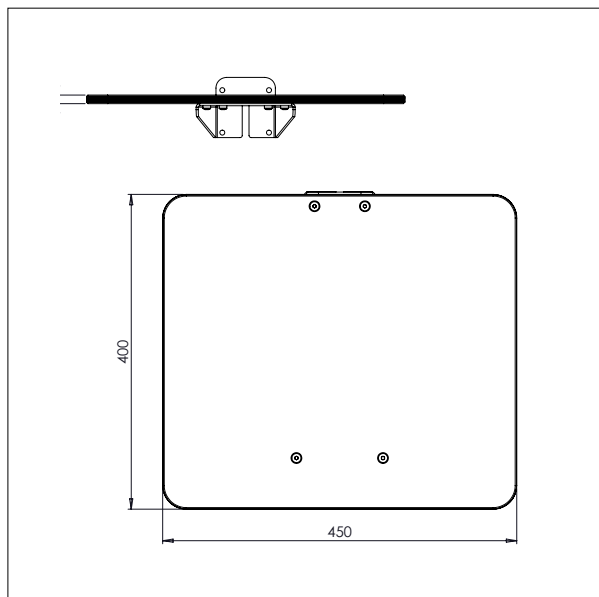
IMPACT 70 / TOOLS

PLATFORM WOOD

- All measurements in mm

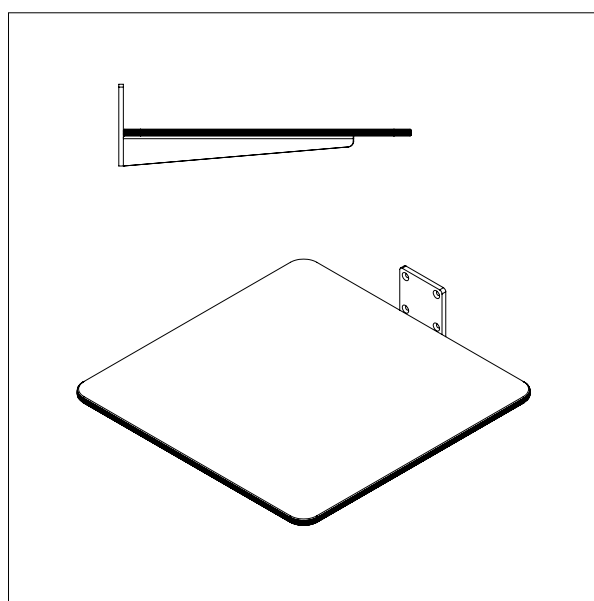
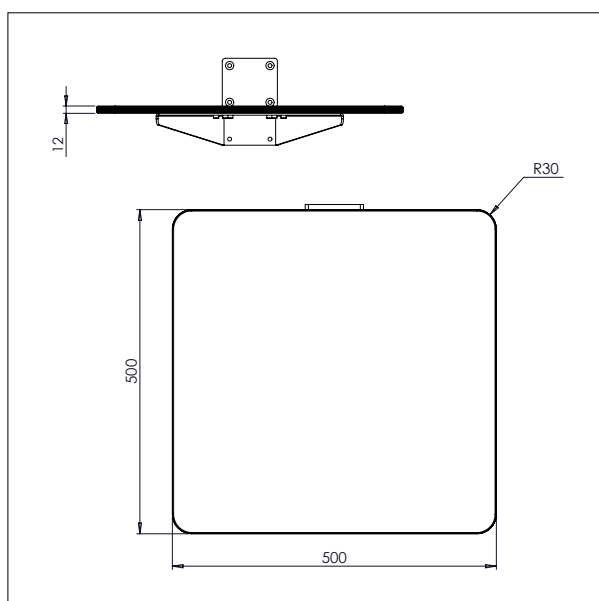
PLATFORM WOOD - W1

L x W: 400 x 450 mm



PLATFORM WOOD - W2

L x W: 500 x 500 mm



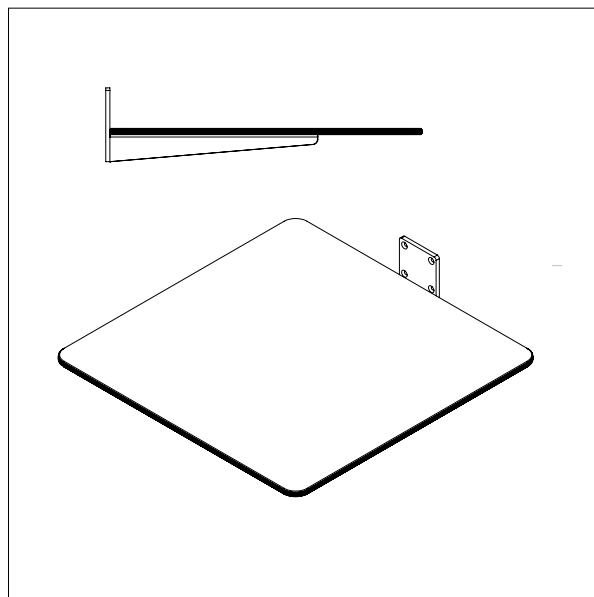
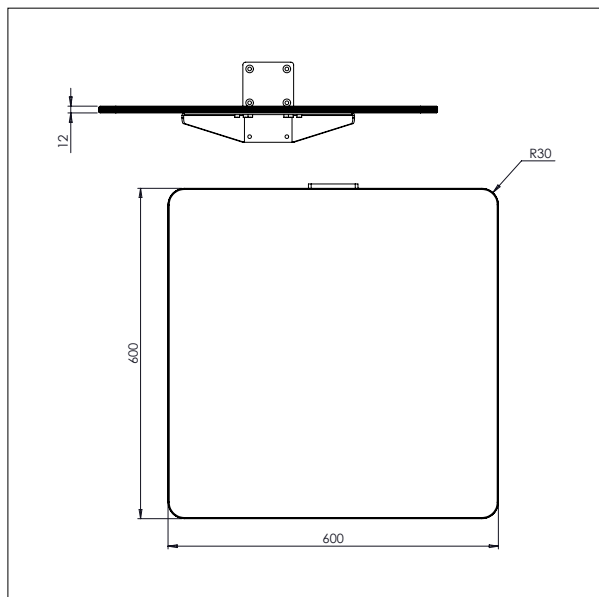
IMPACT 70 / TOOLS

PLATFORM WOOD

- All measurements in mm

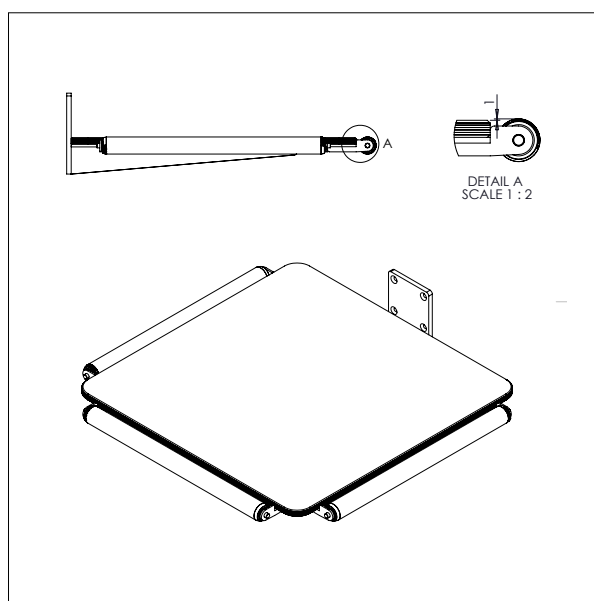
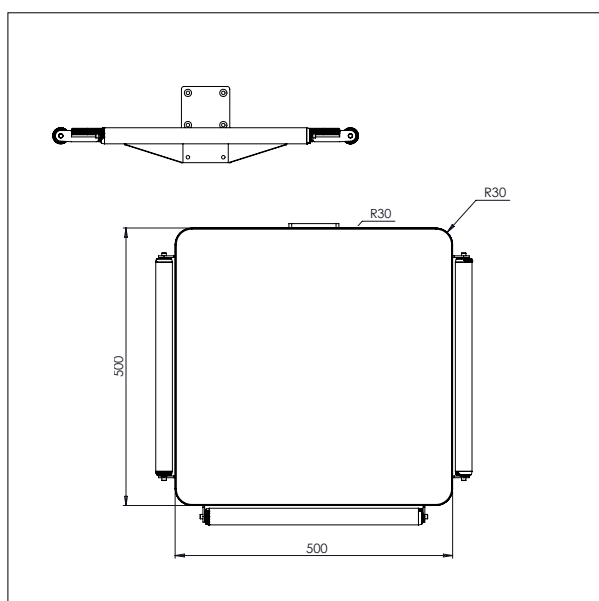
PLATFORM WOOD - W3

L x W: 600 x 600 mm



PLATFORM WOOD WITH ROLLER - W4

L x W: 500 x 500 mm



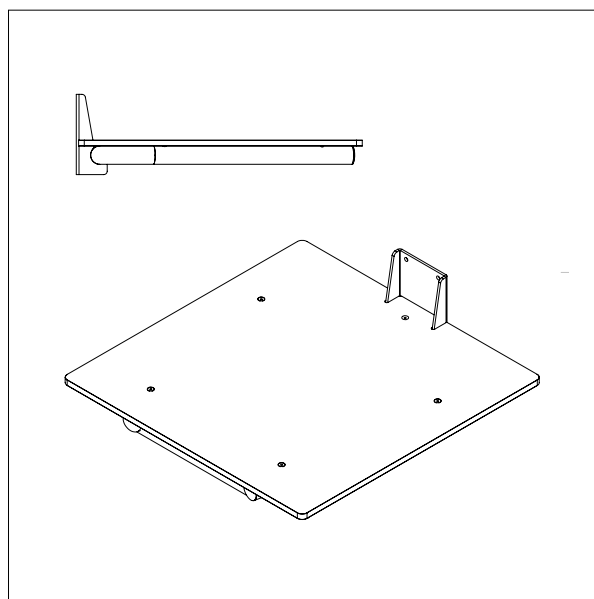
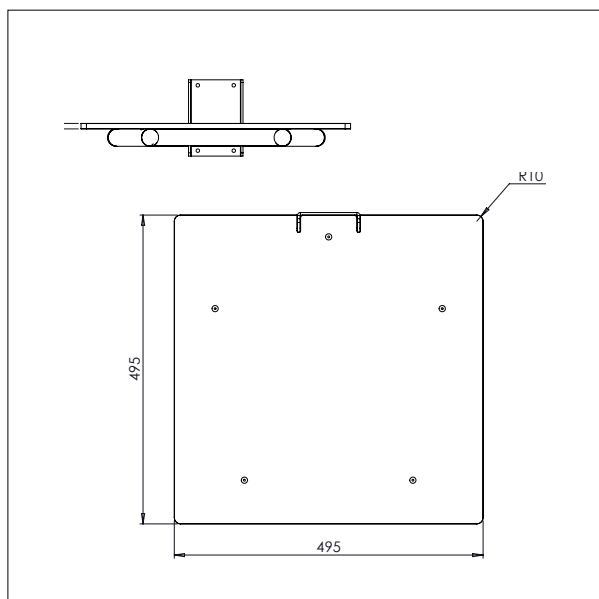
IMPACT 70 / TOOLS

PLATFORM PEHD (PLASTIC)

- All measurements in mm

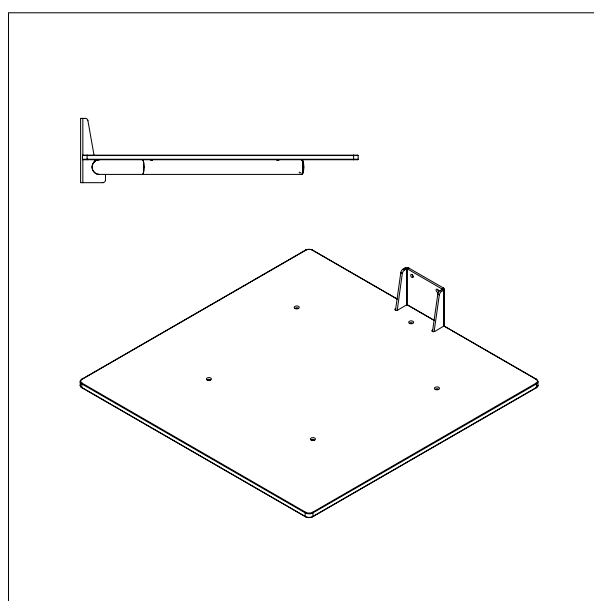
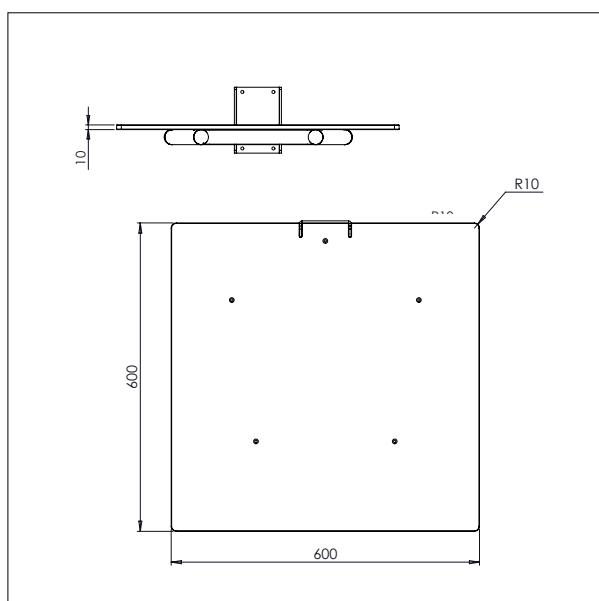
PLATFORM PEHD – KP1

L x W: 495 x 495 mm



PLATFORM PEHD – KP2

L x W: 600 x 600 mm



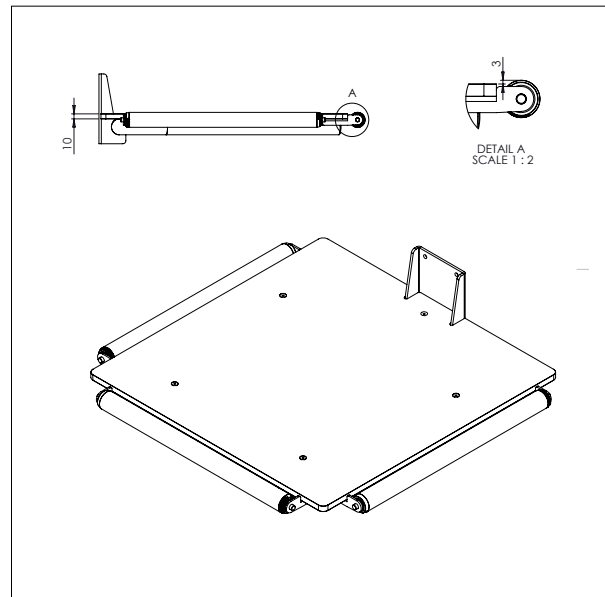
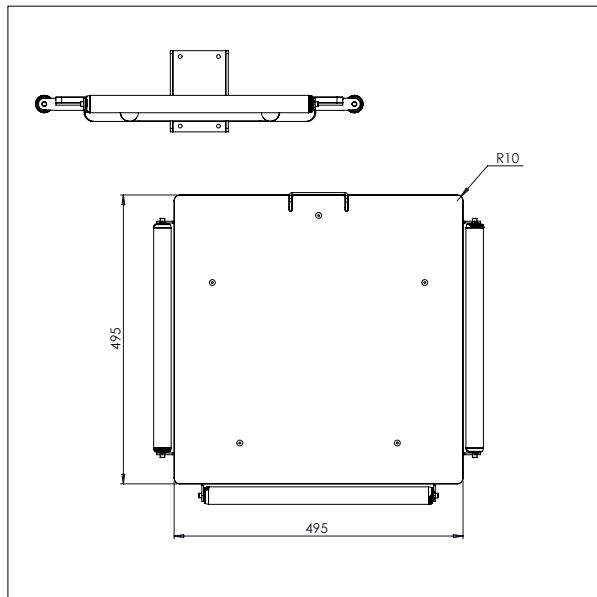
IMPACT 70 / TOOLS

PLATFORM PEHD (PLASTIC)

- All measurements in mm

PLATFORM PEHD WITH ROLLER – KP3

L x W: 495 x 495 mm



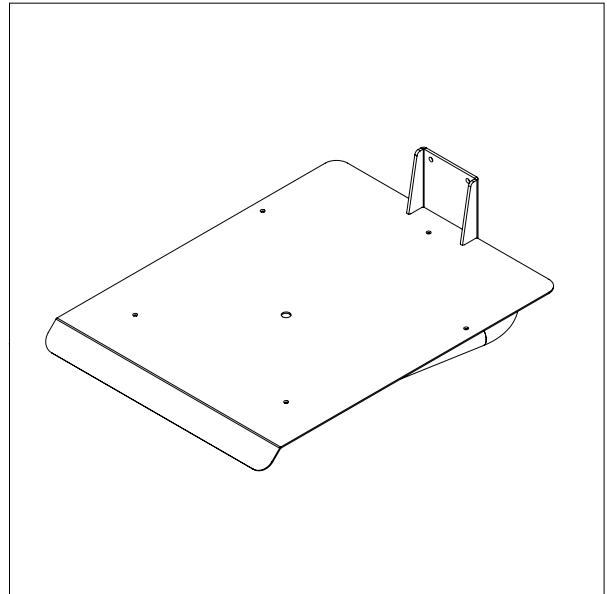
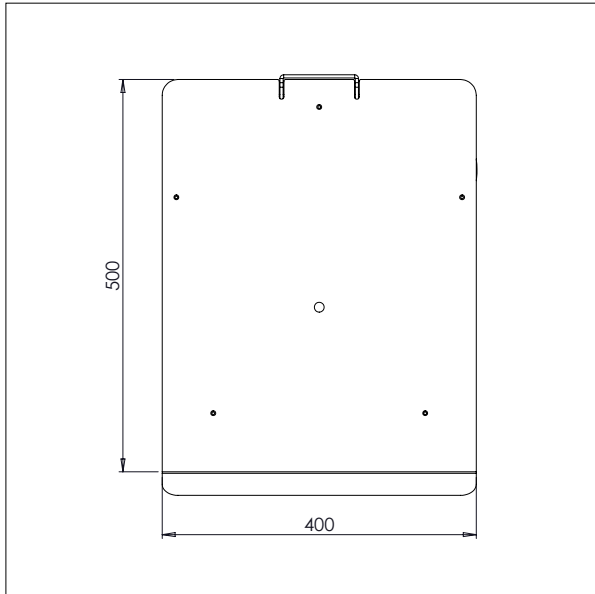
IMPACT 70 / TOOLS

PLATFORM STAINLESS

- All measurements in mm

PLATFORM STAINLESS – EP1

L x W: 500 x 400 mm



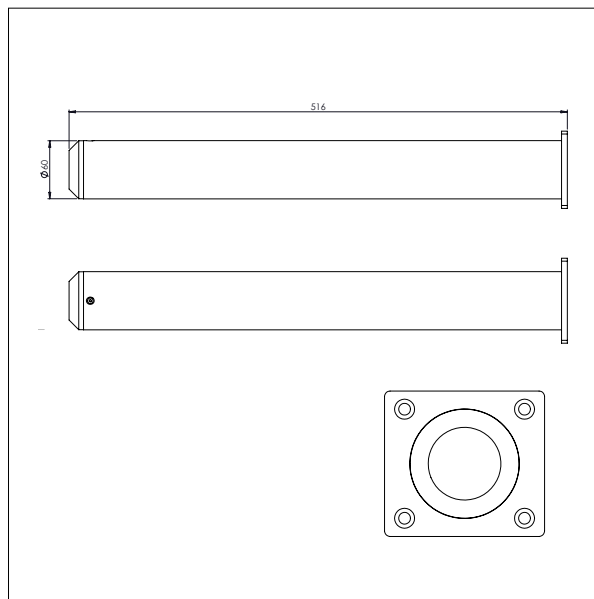
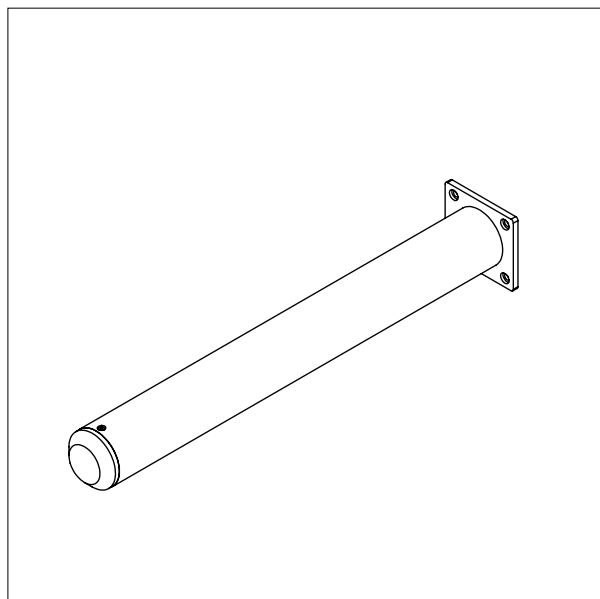
IMPACT 70 / TOOLS

BOOM

- All measurements in mm

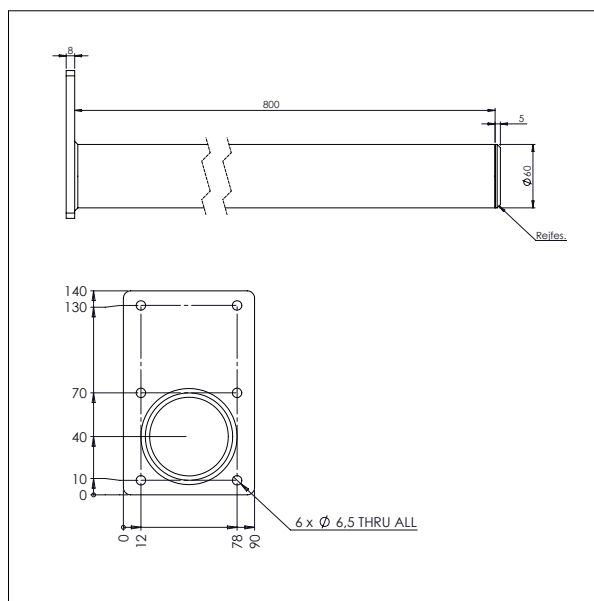
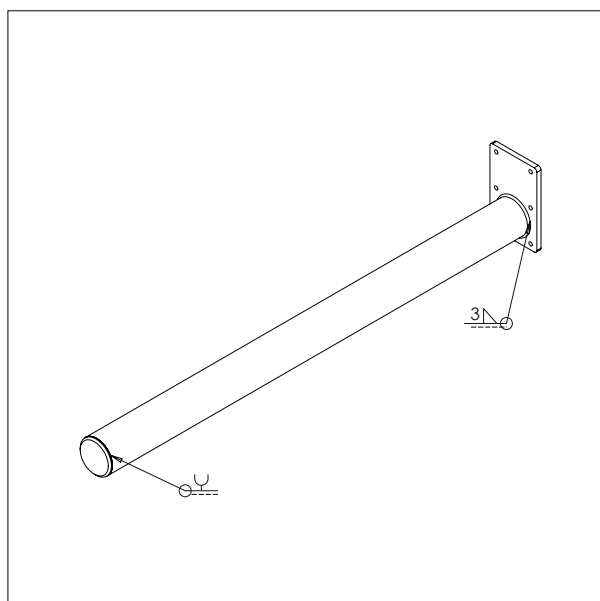
BOOM - D1

Ø x L: 60 x 500 mm



BOOM - D2

Ø x L: 60 x 800 mm



IMPACT 70 / TOOLS

DOUBLE BOOM

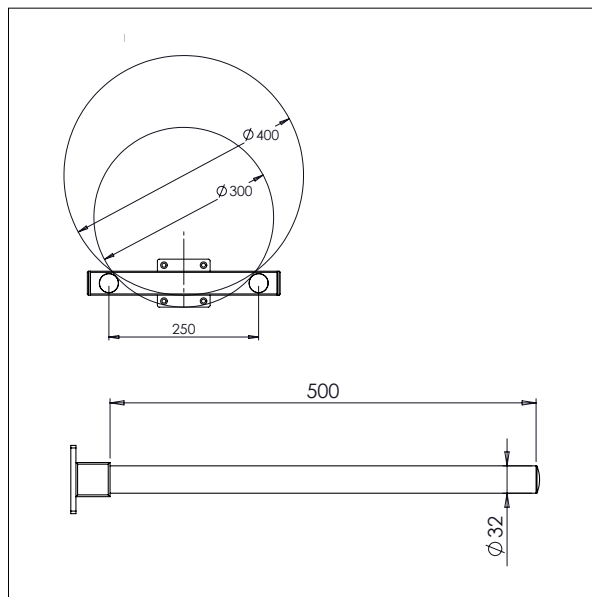
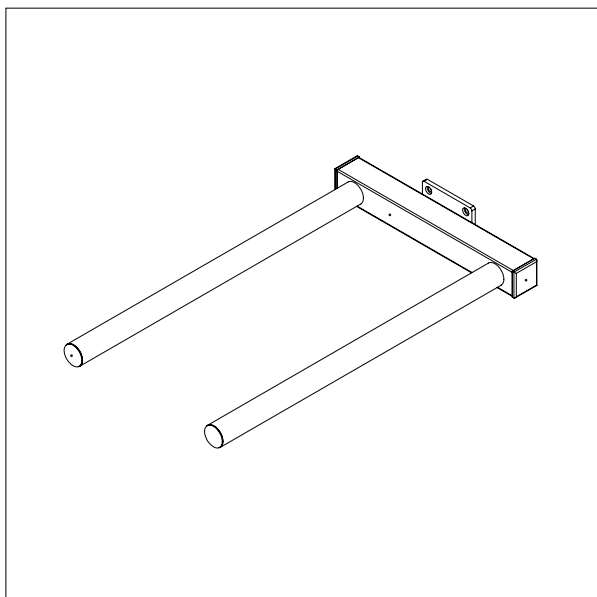
- All measurements in mm

DOUBLE BOOM – DD1

Ø x L x W: 32 x 500 x 250 mm

Min. width of reel: Ø 300 mm

Max. width of reel: Ø 400 mm

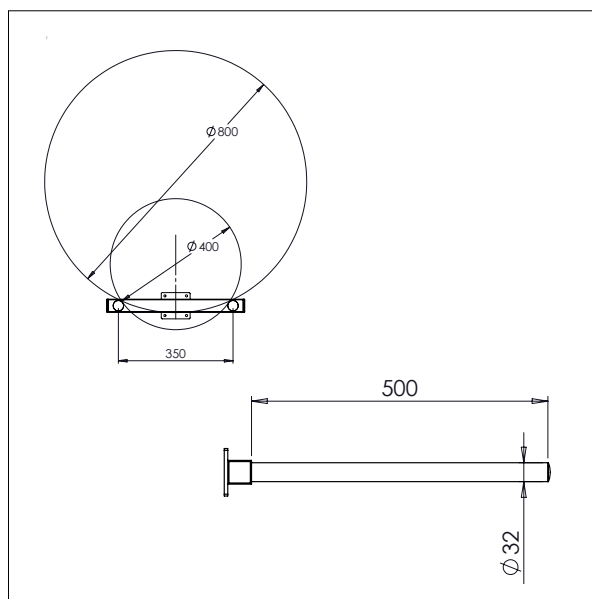
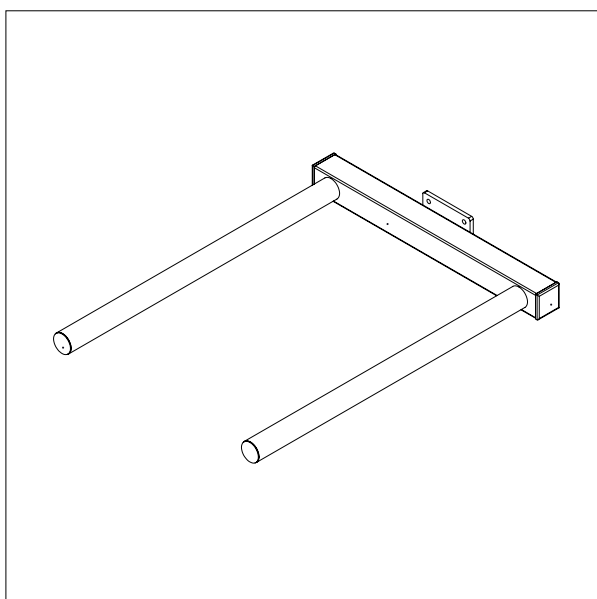


DOUBLE BOOM – DD2

Ø x L x W: 32 x 500 x 350 mm

Min. width of reel: Ø 400 mm

Max. width of reel: Ø 800 mm



IMPACT 70 / TOOLS

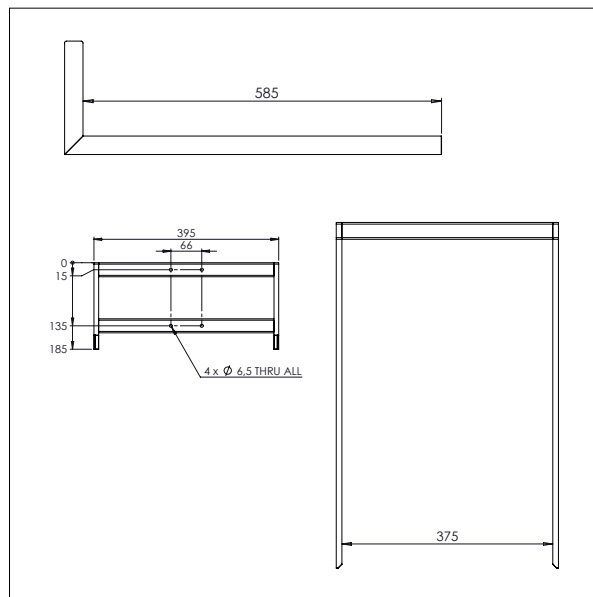
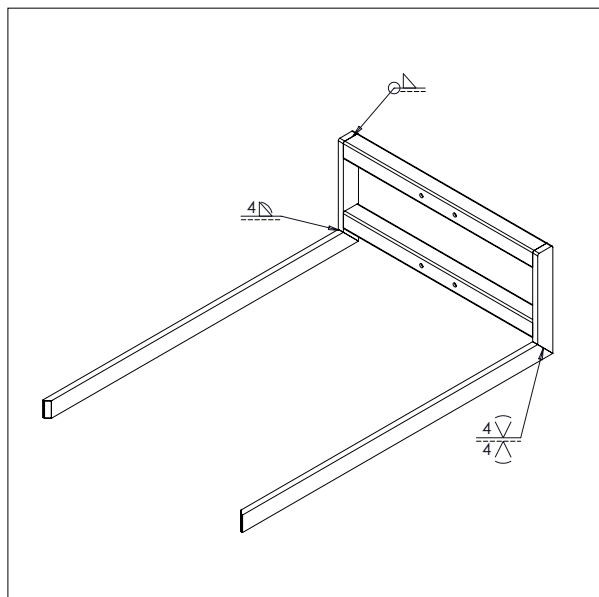
FORK

- All measurements in mm

FORK - G1

L x W: 585 x 375 mm

For 600 x 400 mm boxes



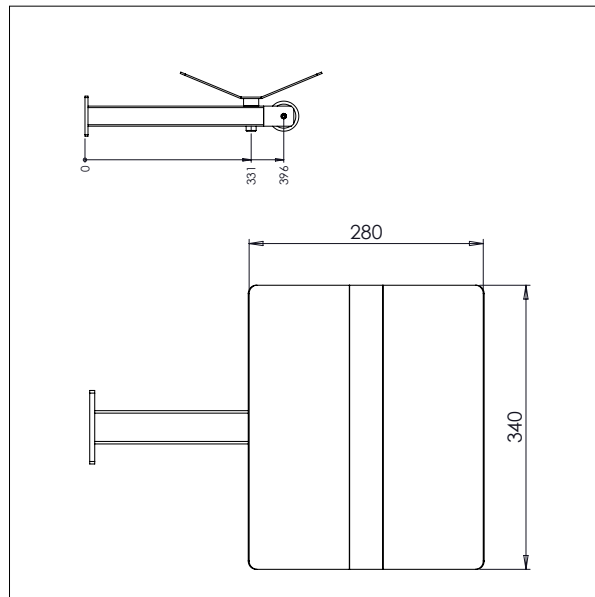
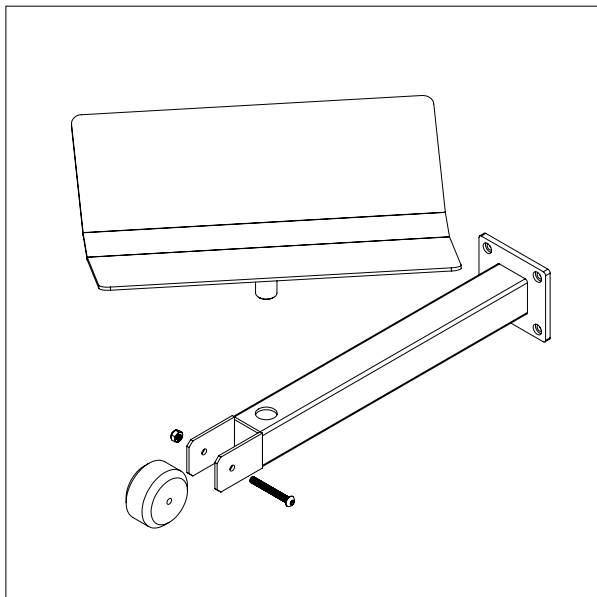
IMPACT 70 / TOOLS

BOOM + V-BLOCK

- All measurements in mm

BOOM + V-BLOCK – DVB1

Boom + V-Block – DVB1

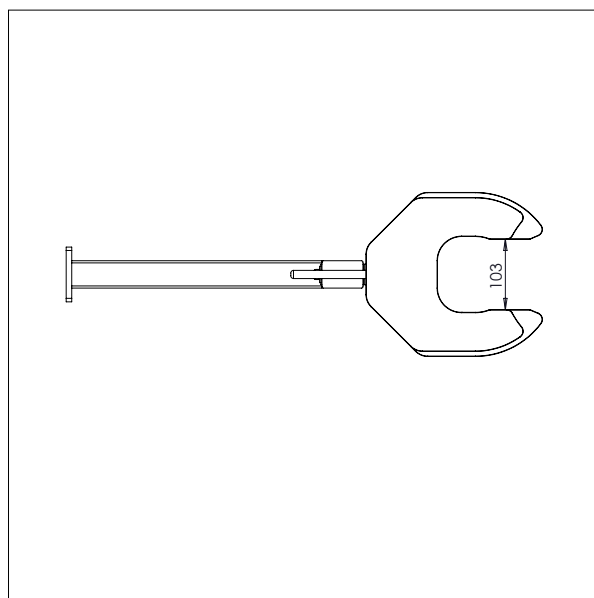
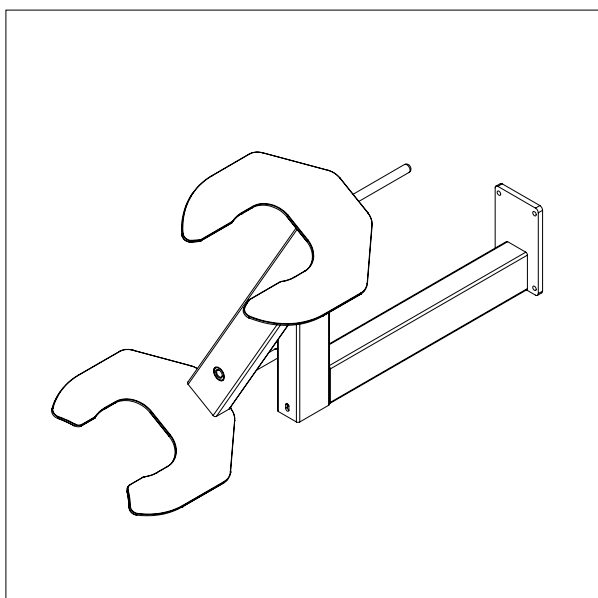
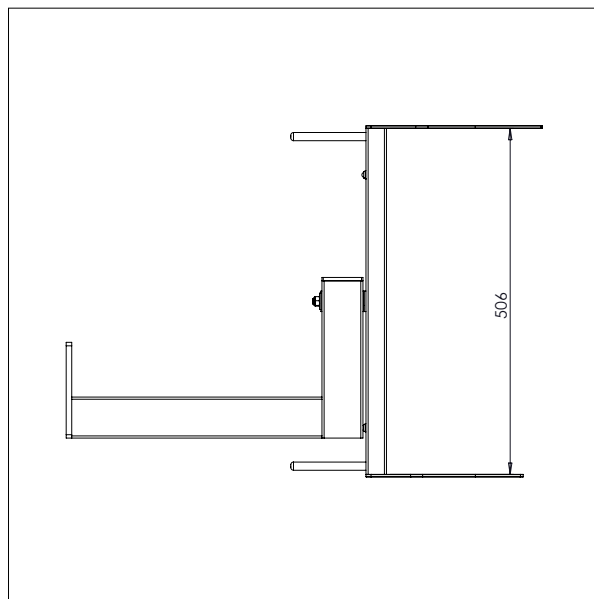
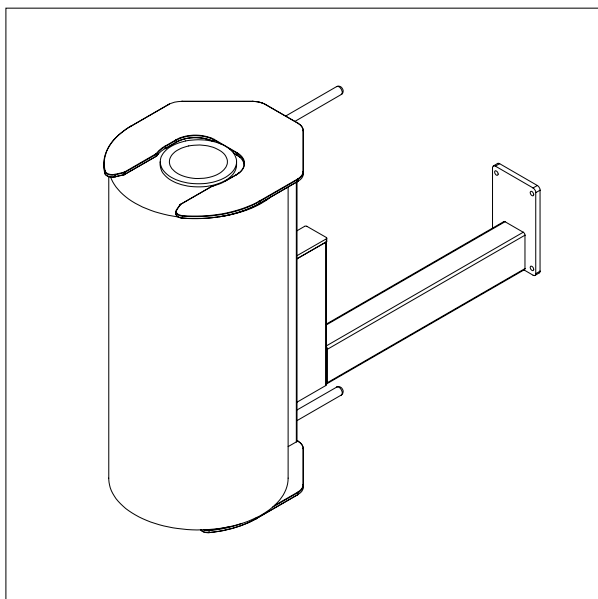


IMPACT 70 / TOOLS

REEL HANDLER

- All measurements in mm

REEL HANDLER - RH

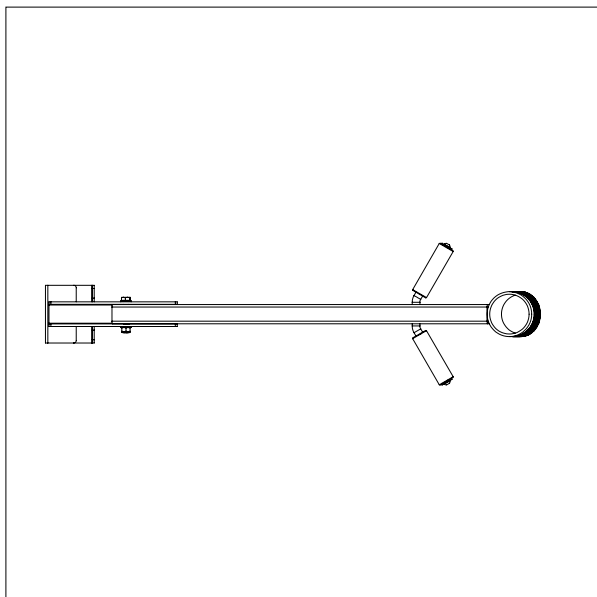
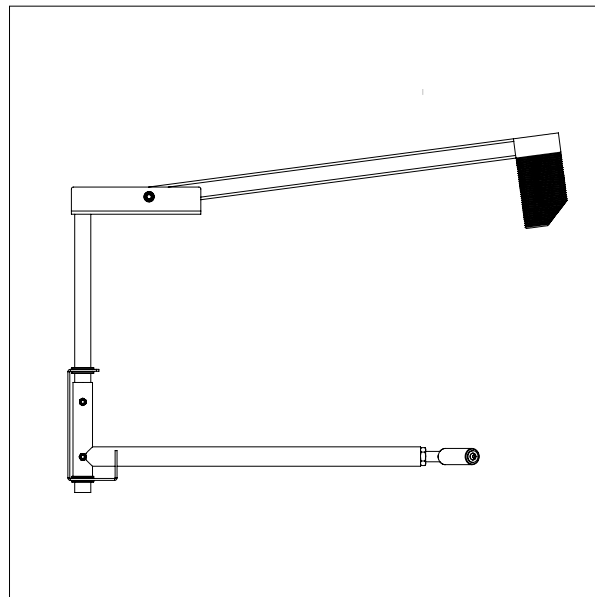
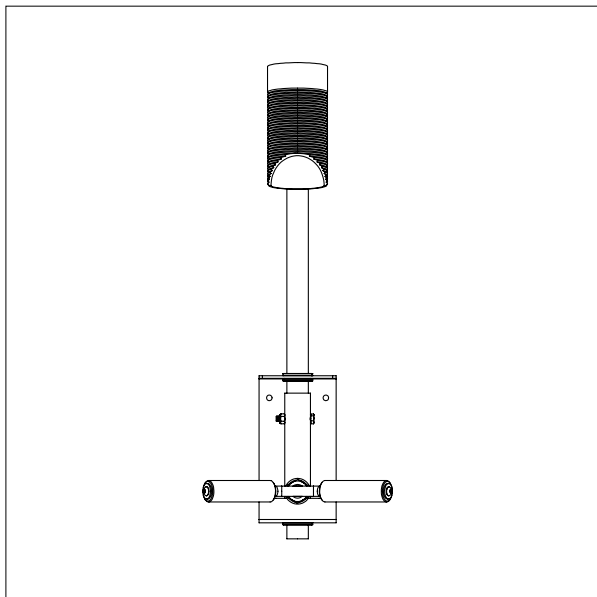


IMPACT 70 / TOOLS

TUBE

- All measurements in mm

TUBE



IMPACT 70 / TOOLS

REEL MANIPULATOR

- All measurements in mm

REEL MANIPULATOR - MRP1

