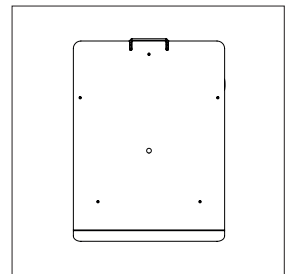
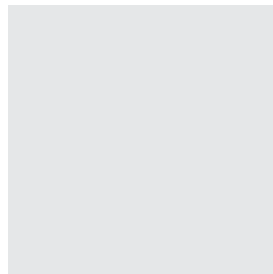
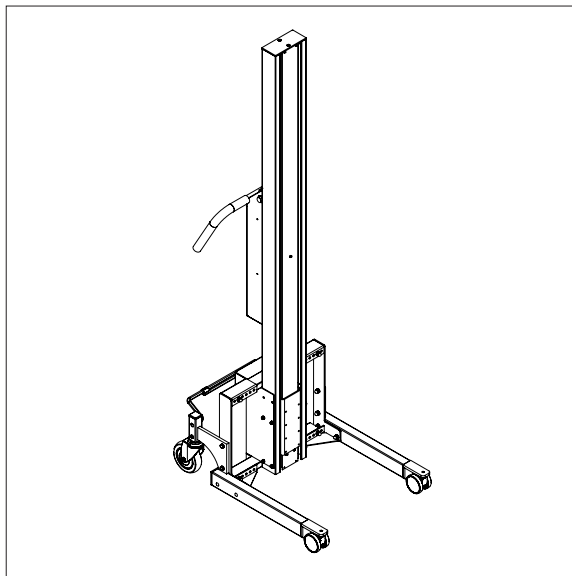
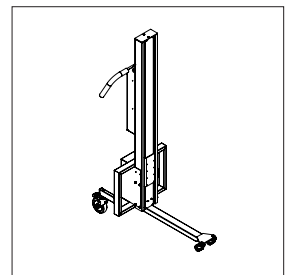
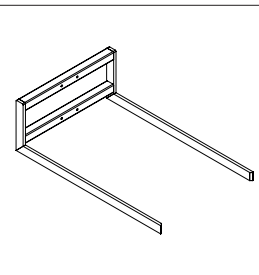
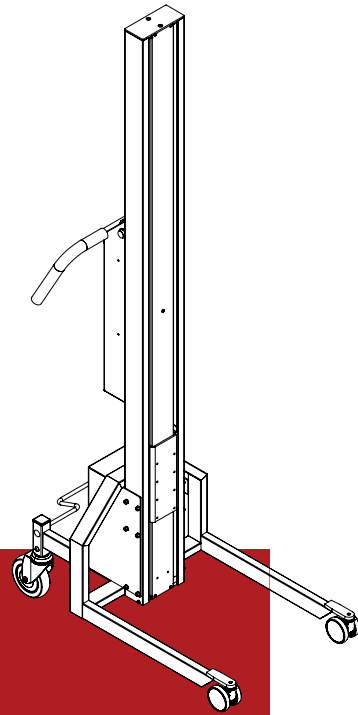


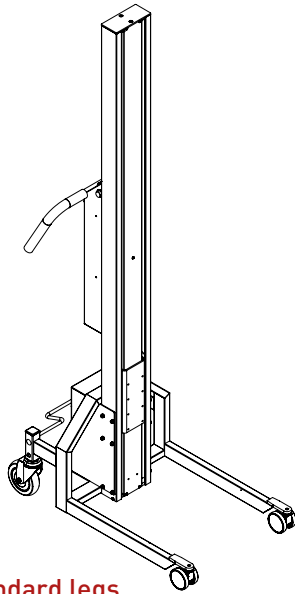
# IMPACT 90 LIFTERS & TOOLS

- DRAWINGS & MEASUREMENTS

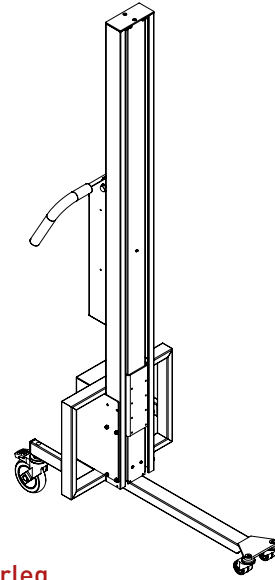


# IMPACT 90

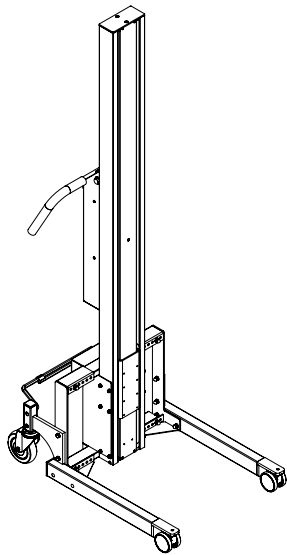
## 3 MAST HEIGHTS AND 15 LEG/WHEEL OPTIONS



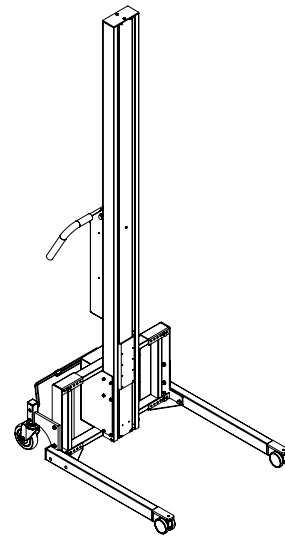
90 L/M/H Standard legs



90 L/M Centerleg



90 L/M/H FC - Flexlegs Type 1

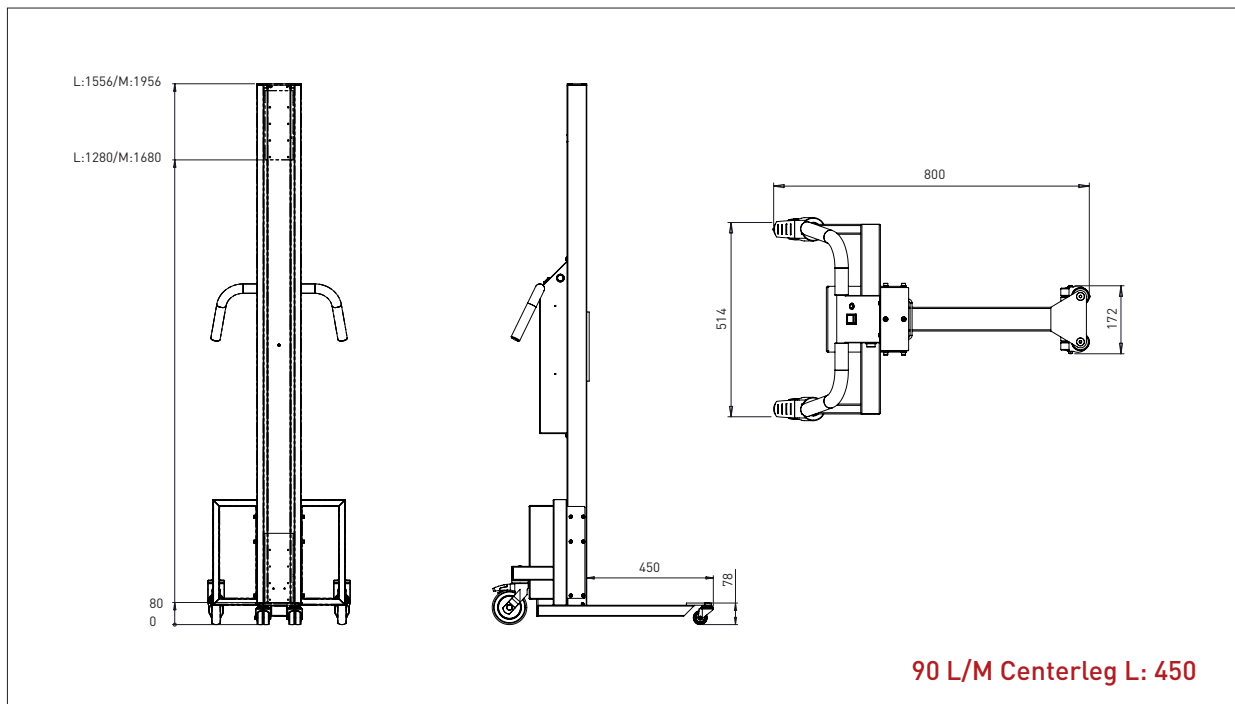
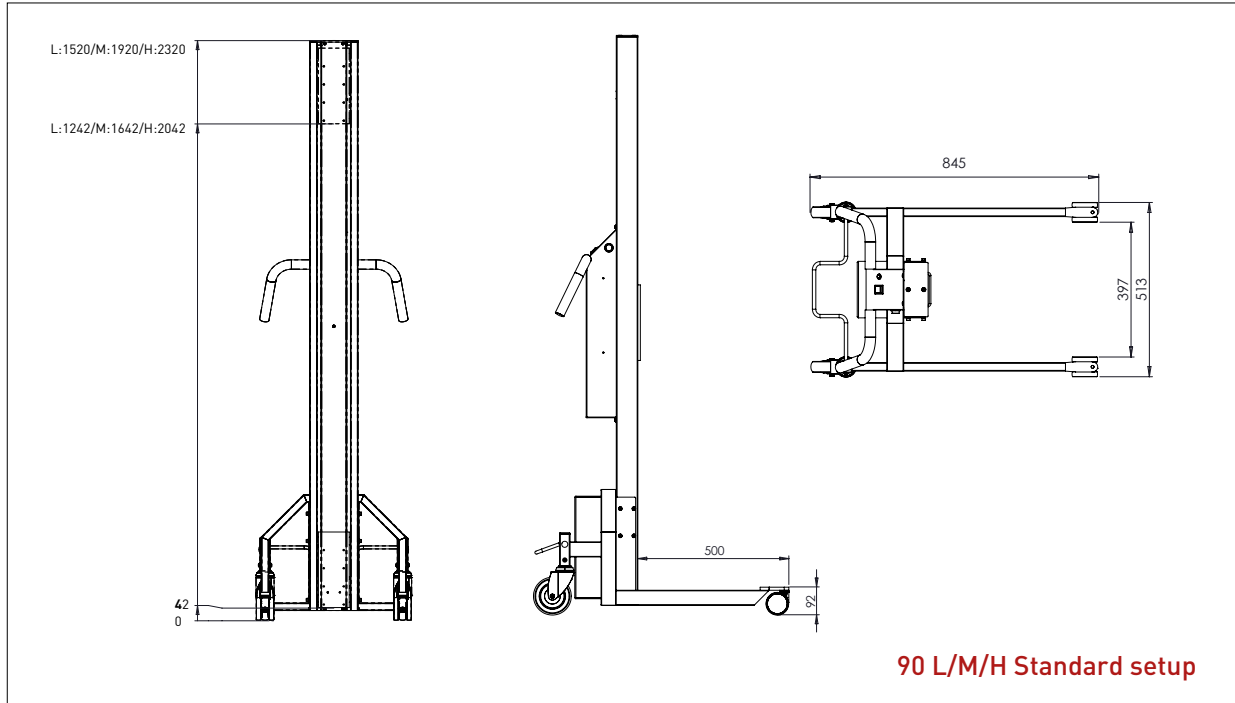


90 L/M/H FC - Flexlegs Type 2

# IMPACT 90

## LIFTERS - DRAWINGS & MEASUREMENTS

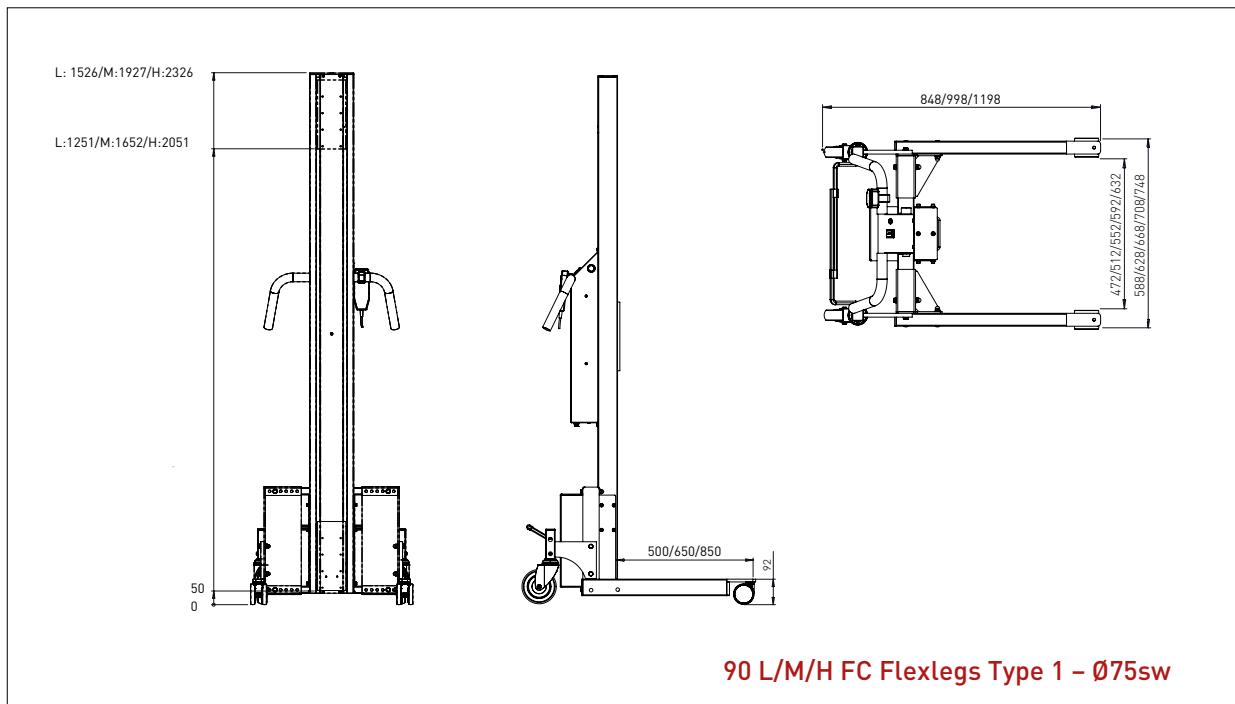
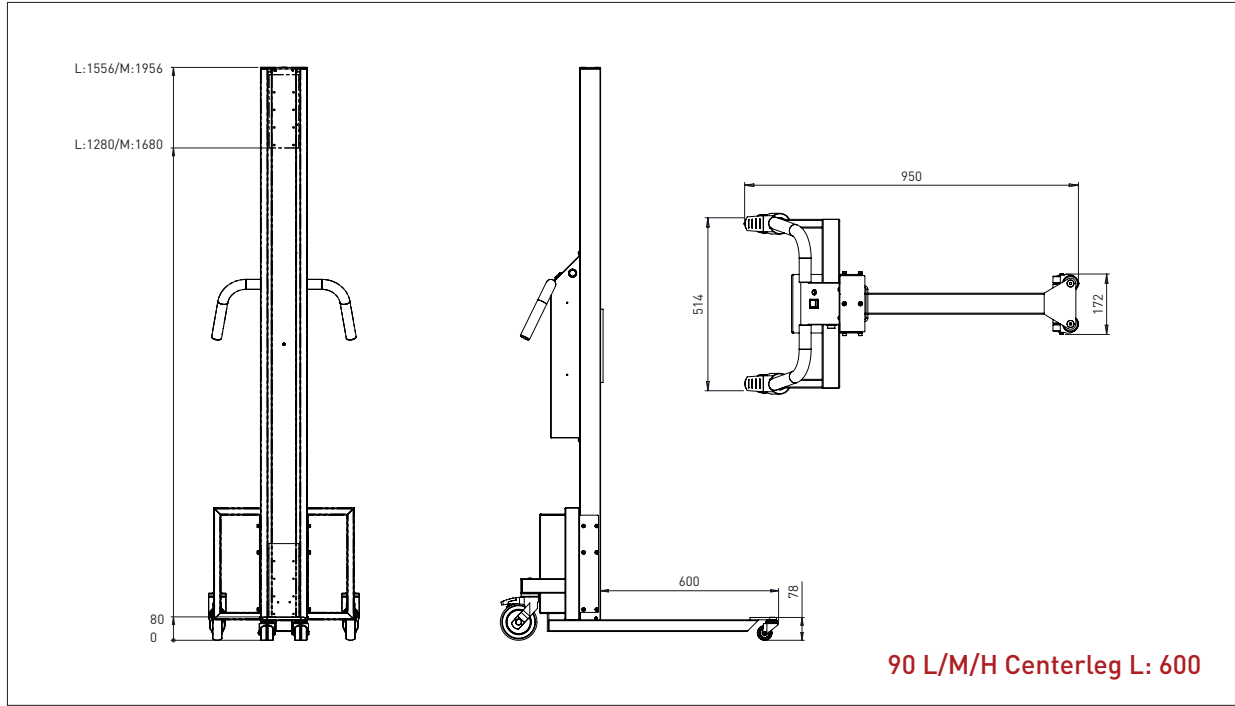
- All measurements in mm



# IMPACT 90

## LIFTERS - DRAWINGS & MEASUREMENTS

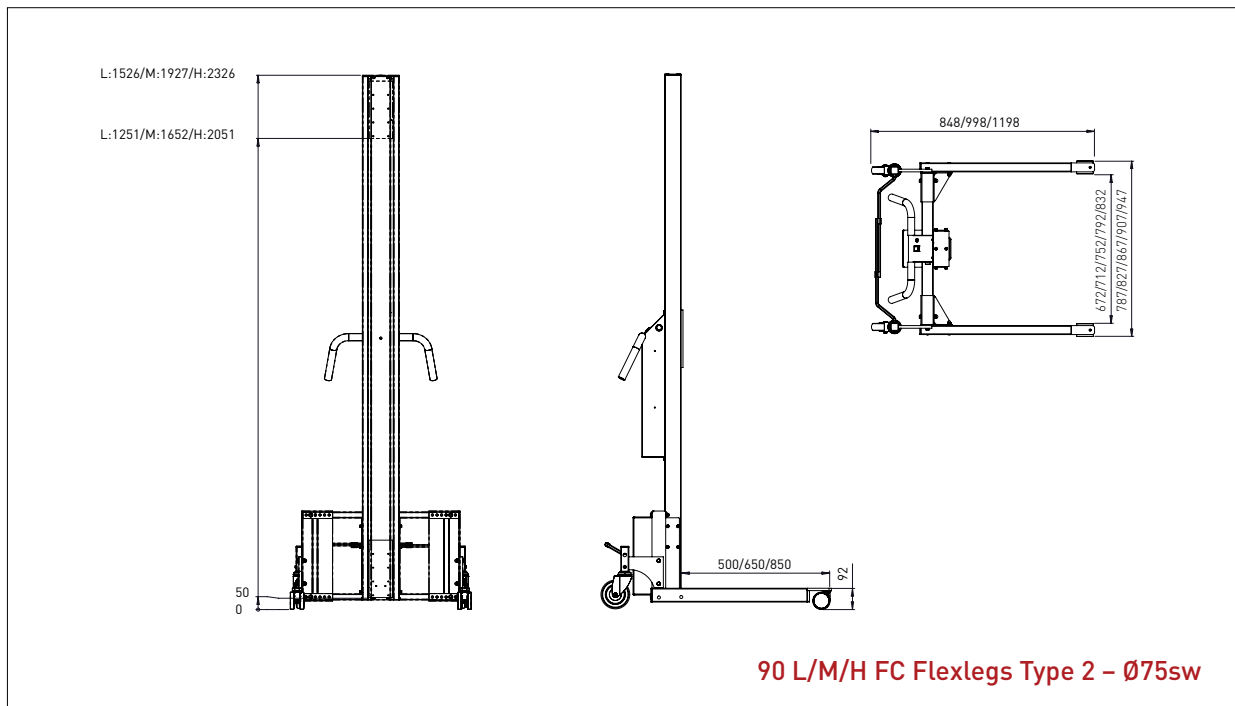
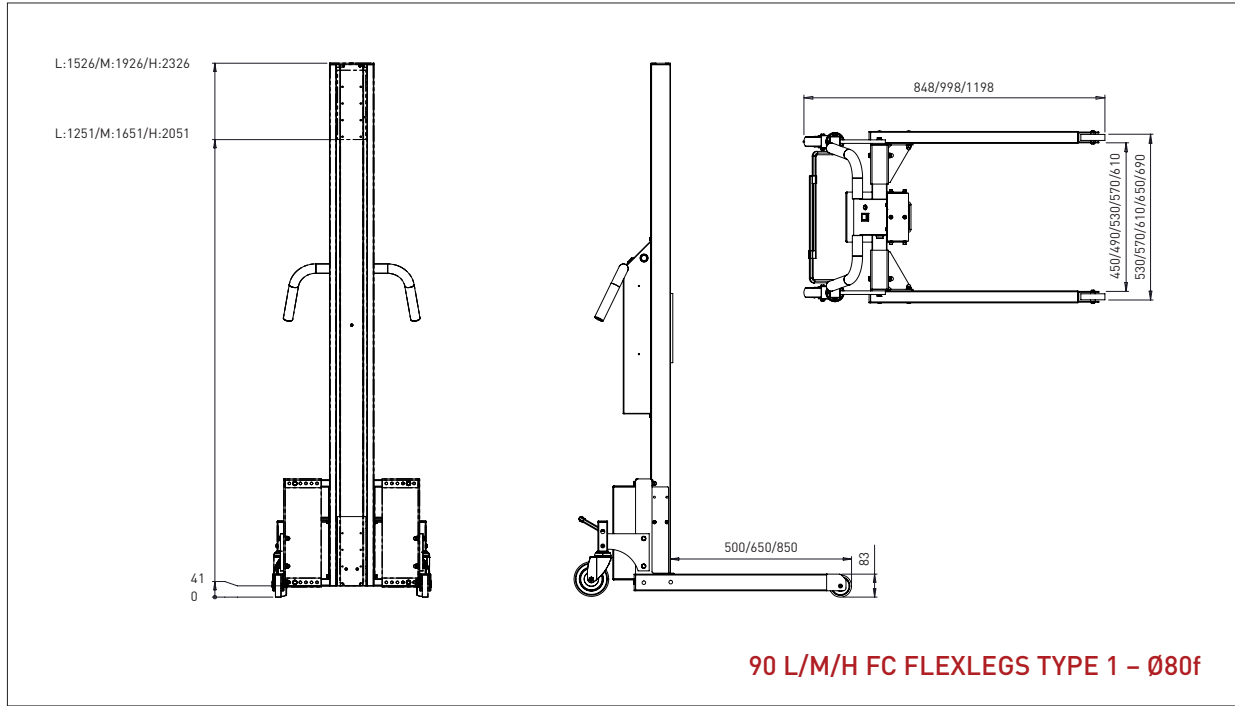
- All measurements in mm



# IMPACT 90

## LIFTERS - DRAWINGS & MEASUREMENTS

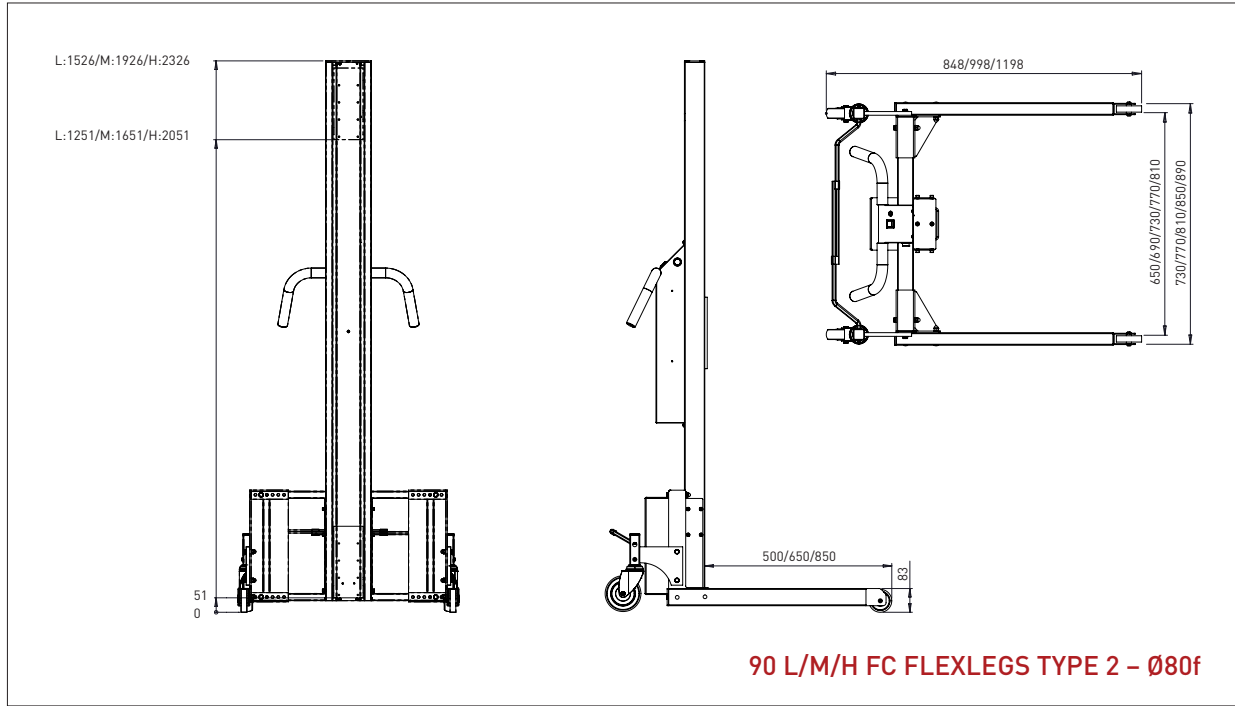
- All measurements in mm



# IMPACT 90

## LIFTERS - DRAWINGS & MEASUREMENTS

- All measurements in mm



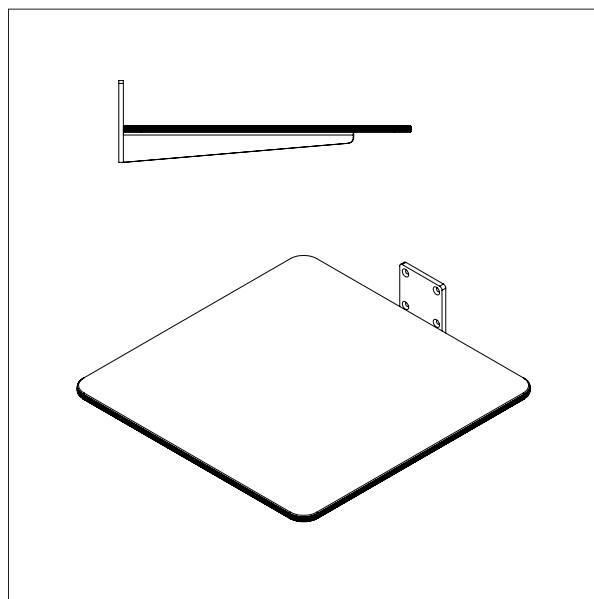
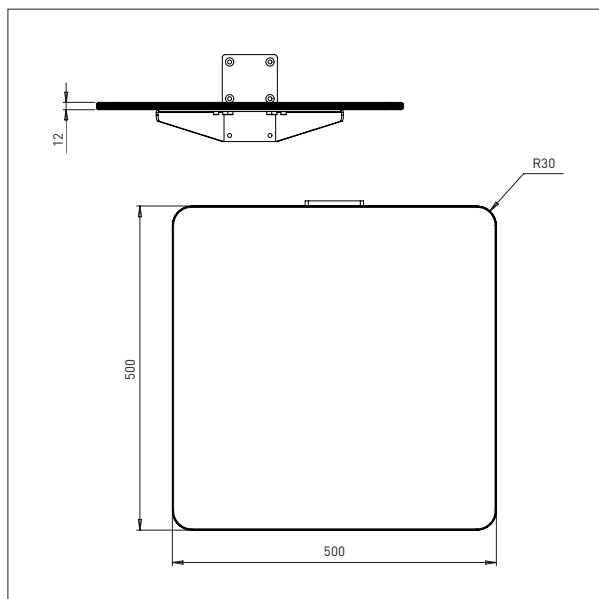
# IMPACT 90 / TOOLS

## PLATFORM WOOD

- All measurements in mm

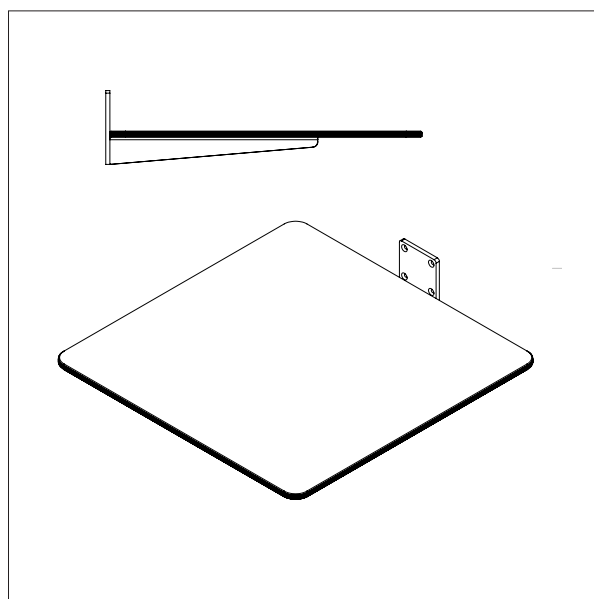
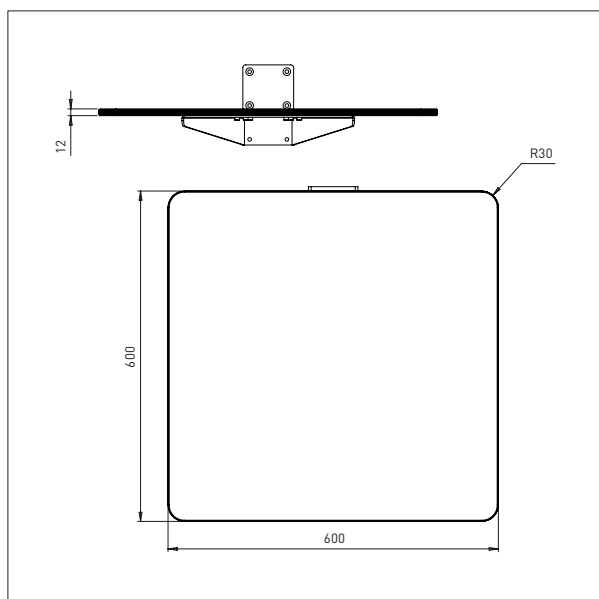
### PLATFORM WOOD – W2

L x W: 500 x 500 mm



### PLATFORM WOOD – W3

L x W: 600 x 600 mm



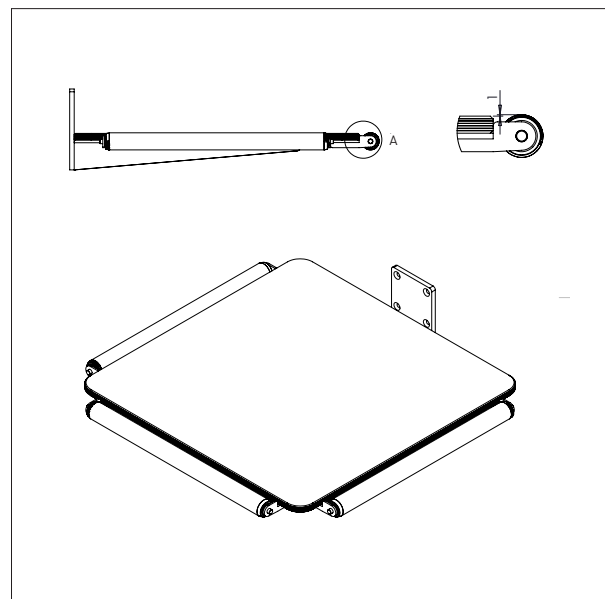
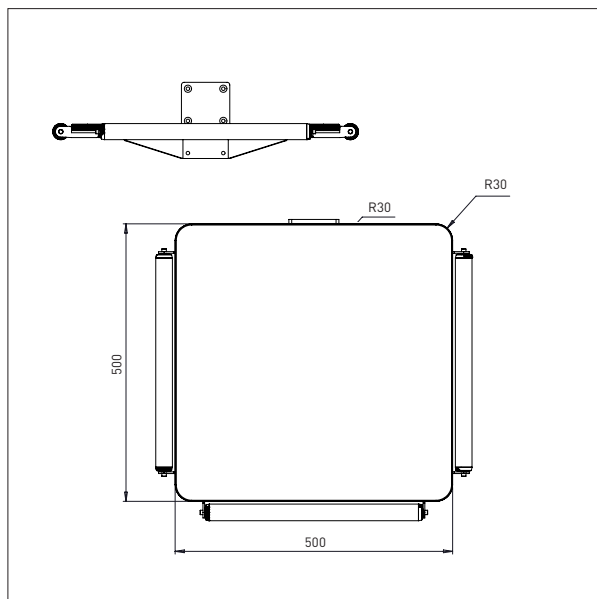
# IMPACT 90 / TOOLS

## PLATFORM WOOD

- All measurements in mm

### PLATFORM WOOD WITH ROLLER - W4

L x W: 500 x 500 mm





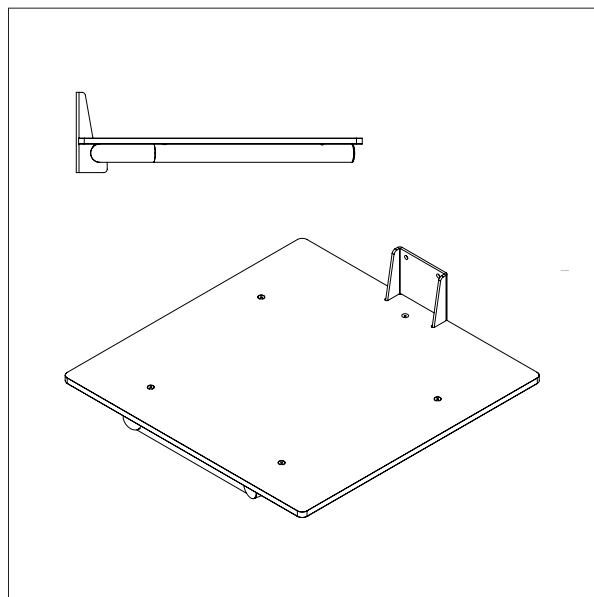
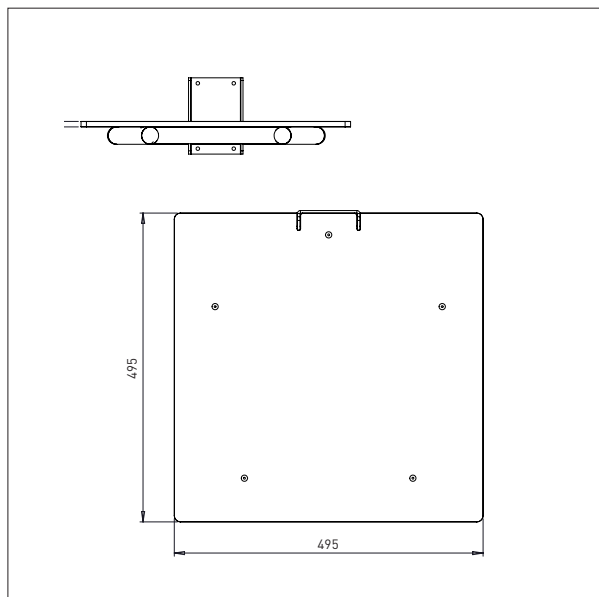
# IMPACT 90 / TOOLS

## PLATFORM PEHD (PLASTIC)

- All measurements in mm

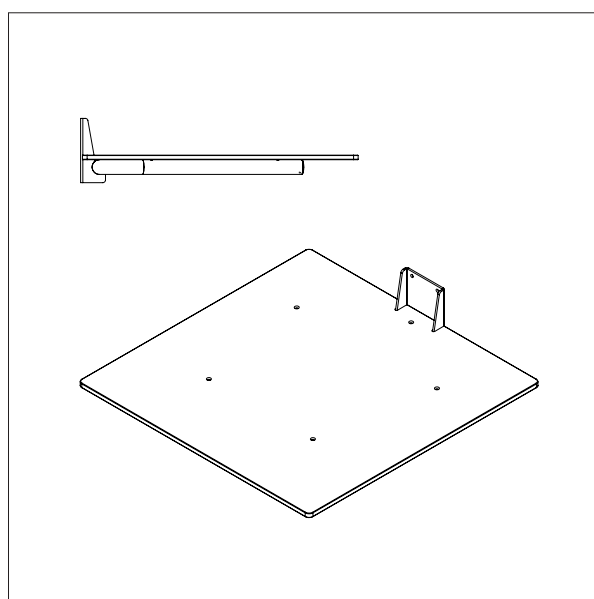
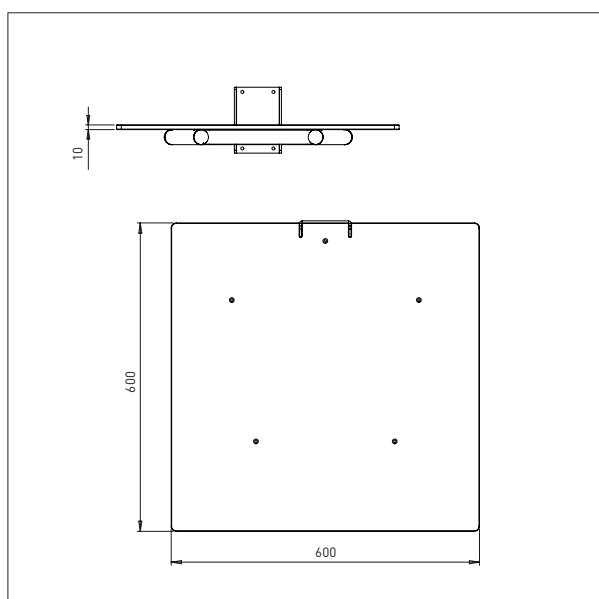
### PLATFORM PEHD – KP1

L x W: 495 x 495 mm



### PLATFORM PEHD – KP2

L x W: 600 x 600 mm



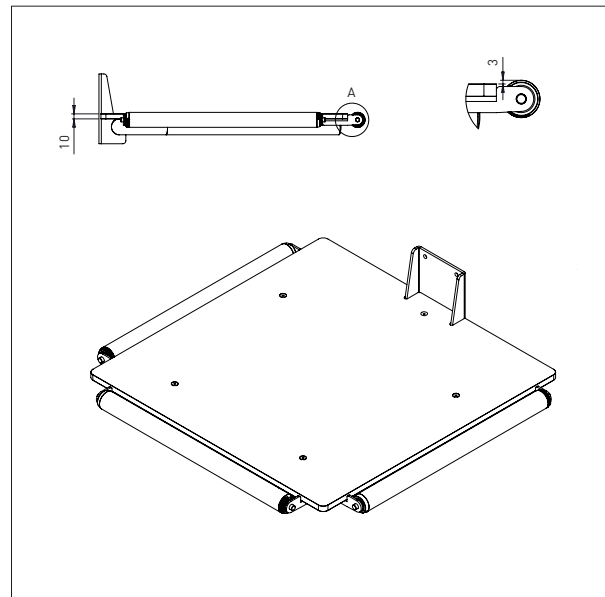
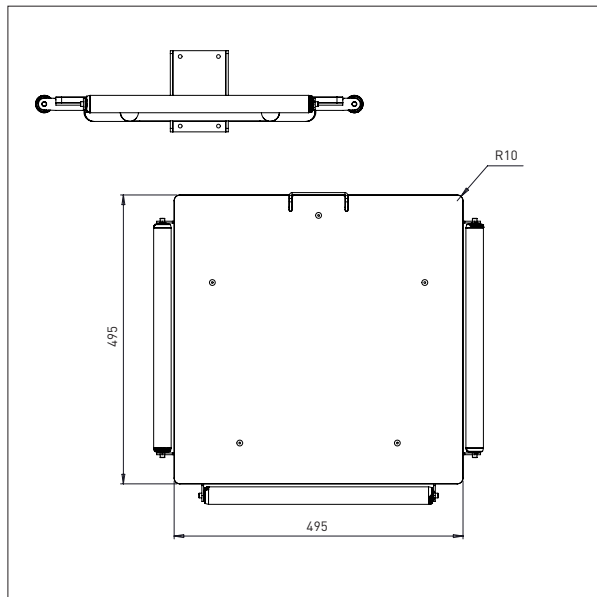
# IMPACT 90 / TOOLS

## PLATFORM PEHD (PLASTIC)

- All measurements in mm

### PLATFORM PEHD WITH ROLLER - KP3

L x W: 495 x 495 mm



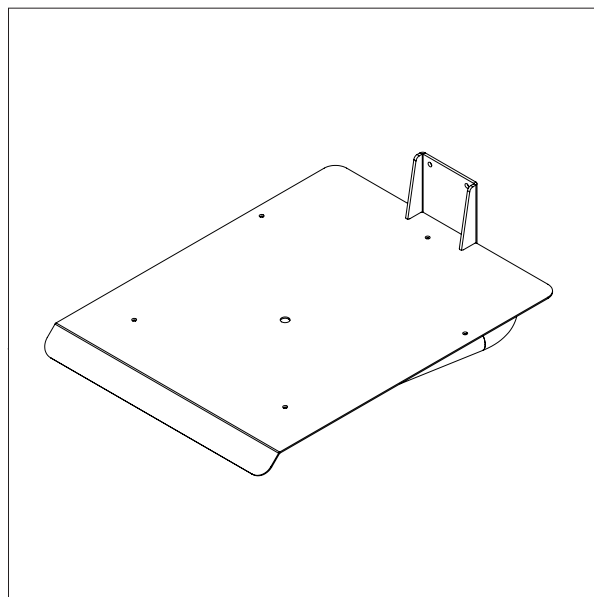
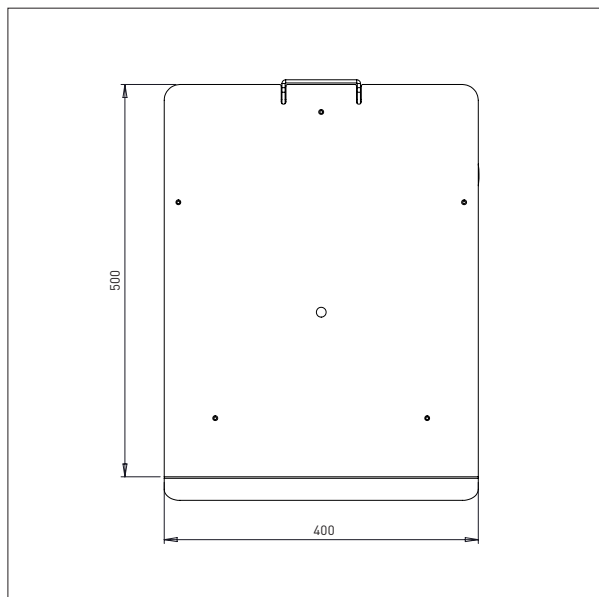
# IMPACT 90 / TOOLS

## PLATFORM STAINLESS

- All measurements in mm

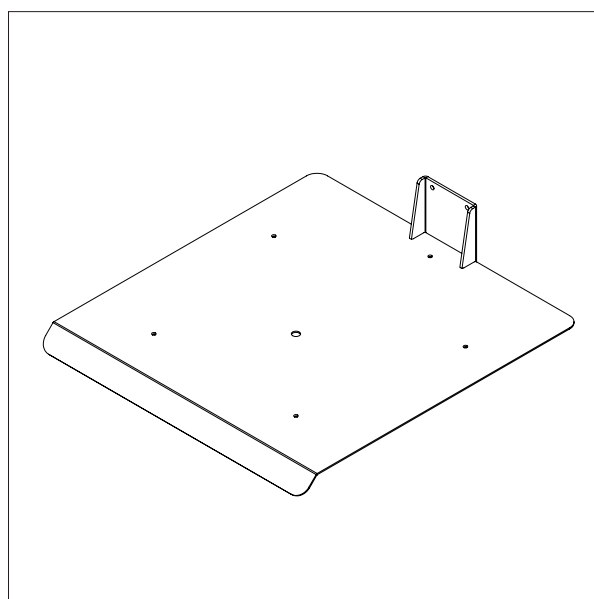
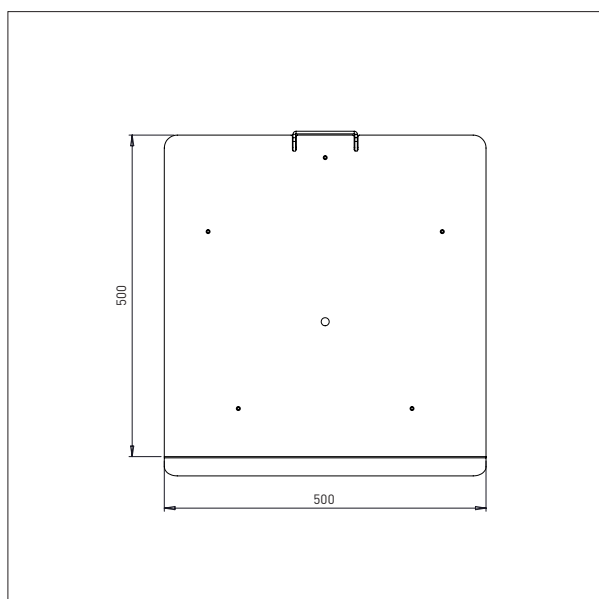
### PLATFORM STAINLESS – EP1

L x W: 500 x 400 mm



### PLATFORM STAINLESS – EP2

L x W: 500 x 500 mm



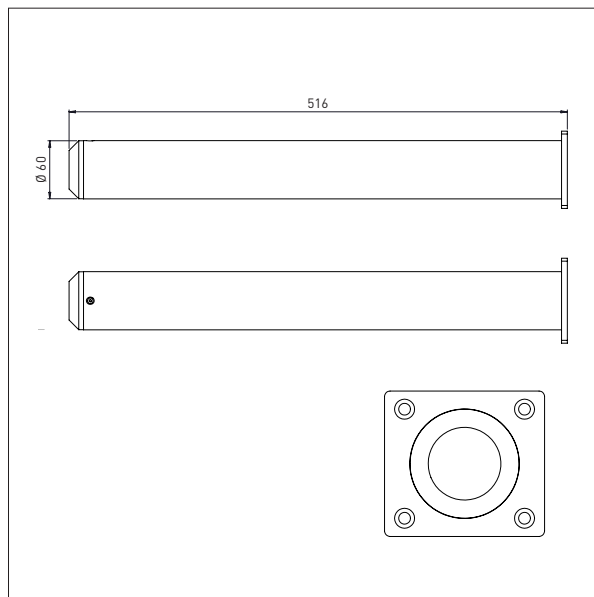
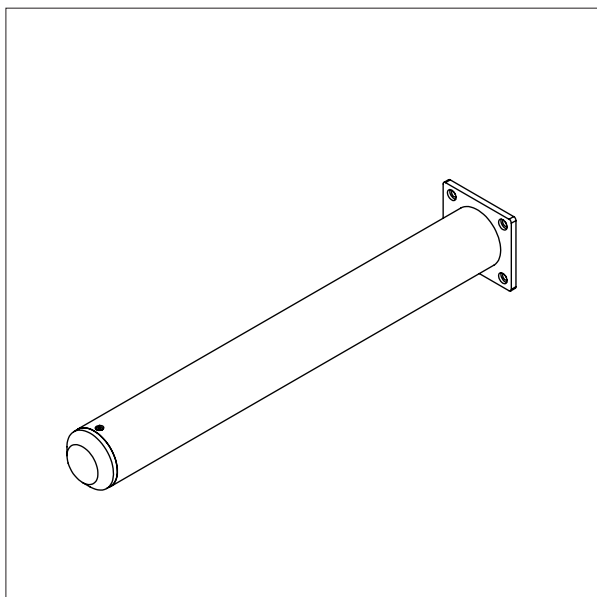
# IMPACT 90 / TOOLS

## BOOM

- All measurements in mm

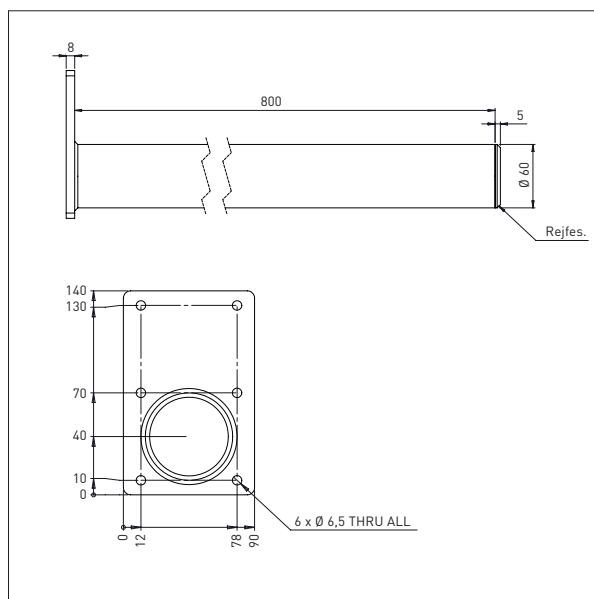
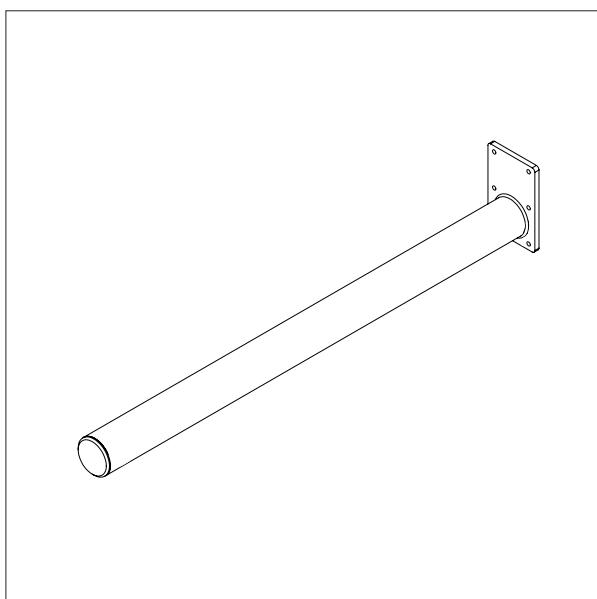
### BOOM - D1

Ø x L: 60 x 500 mm



### BOOM - D2

Ø x L: 60 x 800 mm



# IMPACT 90 / TOOLS

## DOUBLE BOOM

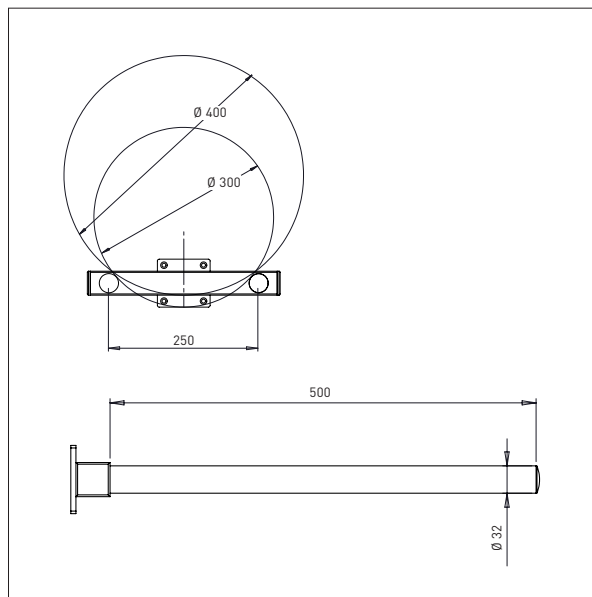
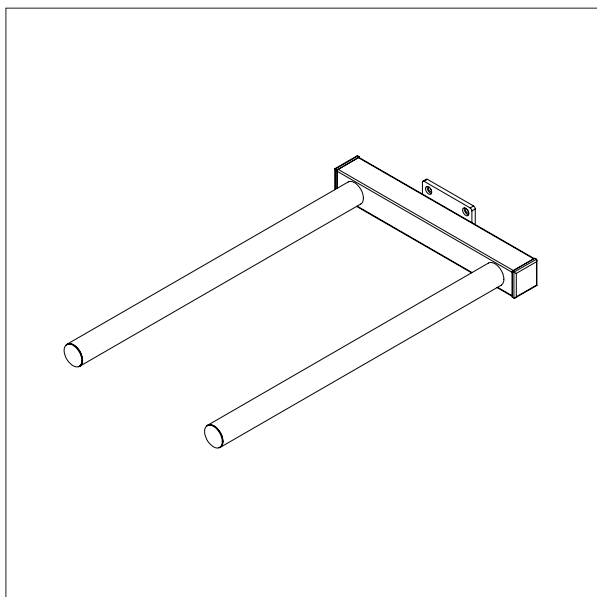
- All measurements in mm

### DOUBLE BOOM – DD1

Ø x L x W: 32 x 500 x 250 mm

Min. width of reel: Ø 300 mm

Max. width of reel: Ø 400 mm

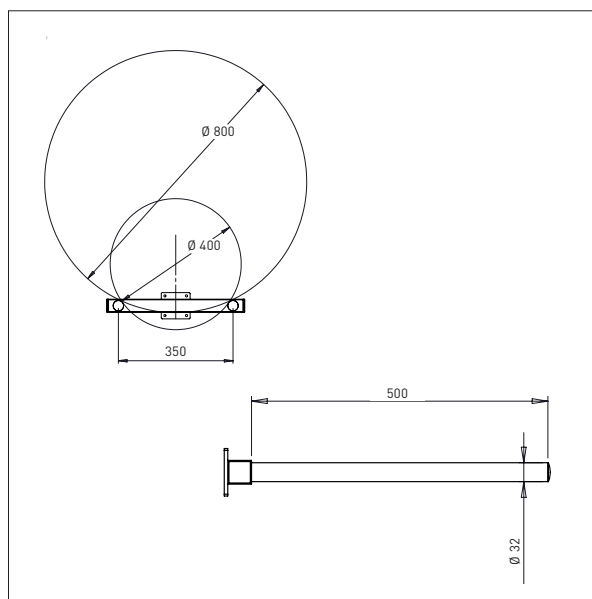
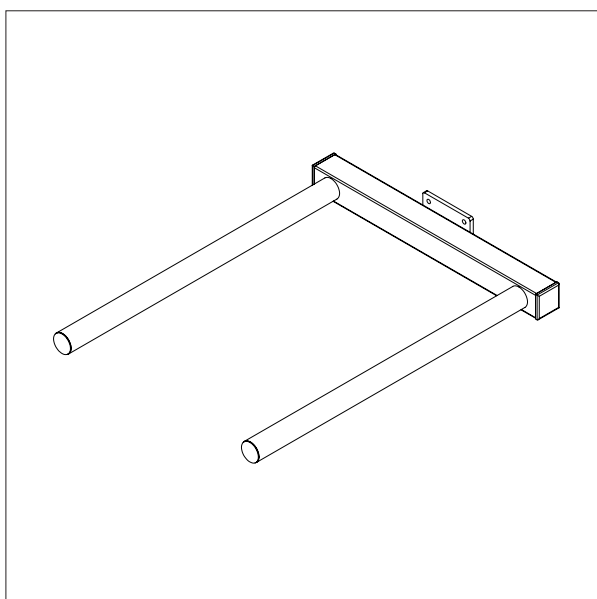


### DOUBLE BOOM – DD2

Ø x L x W: 32 x 500 x 350 mm

Min. width of reel: Ø 400 mm

Max. width of reel: Ø 800 mm



# IMPACT 90 / TOOLS

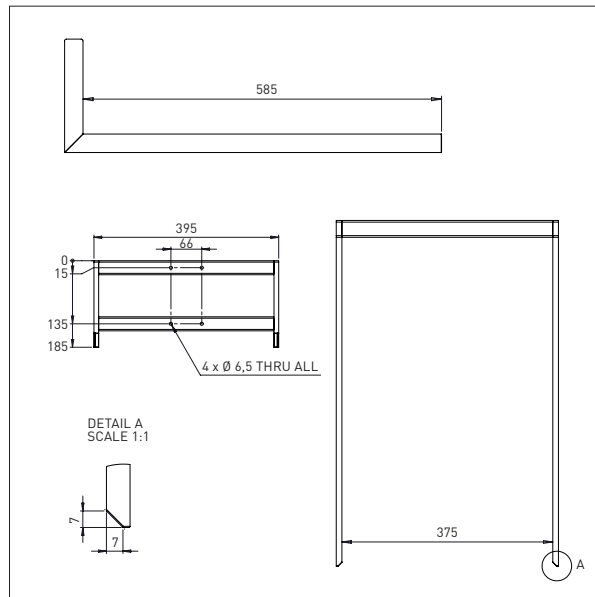
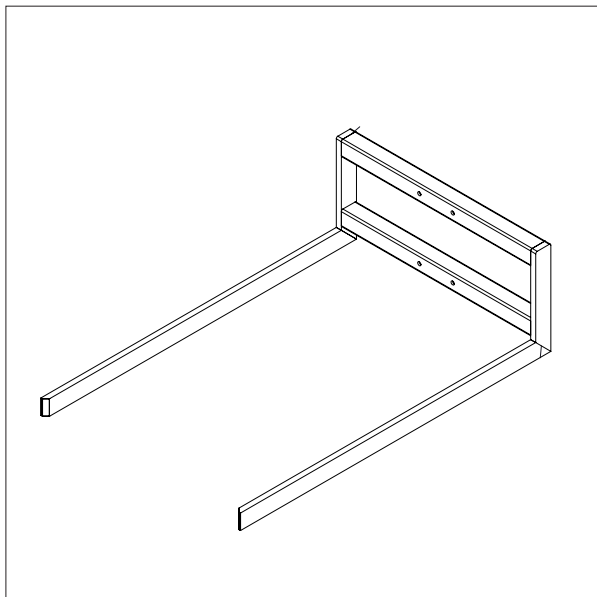
## FORK

- All measurements in mm

### FORK - G1

L x W: 585 x 375 mm

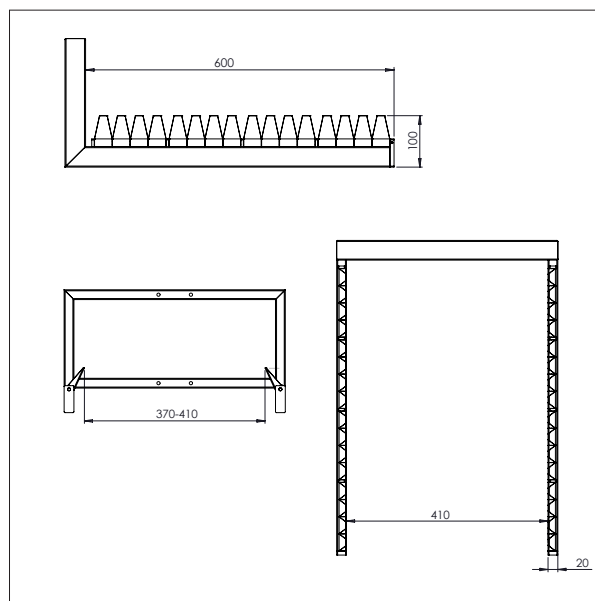
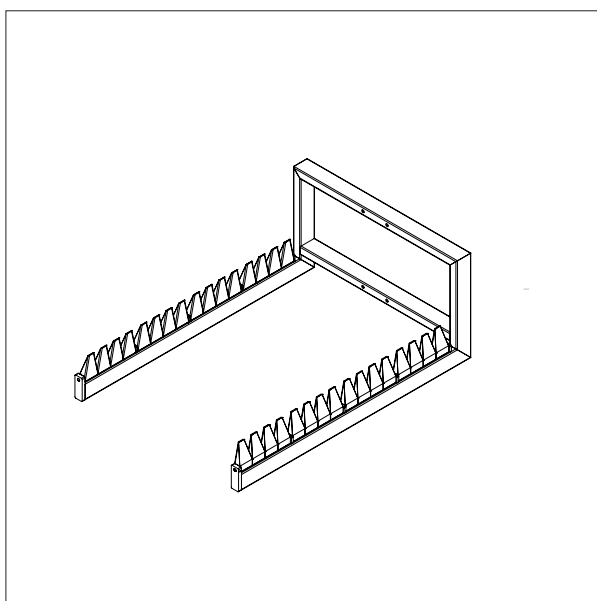
For 600 x 400 mm boxes



### FORK - SLC

L x W: 600 x 410 mm

For 600 x 400 mm boxes

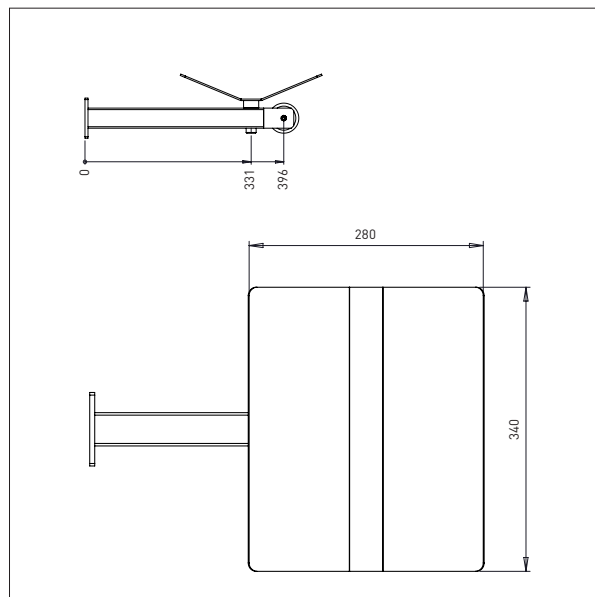
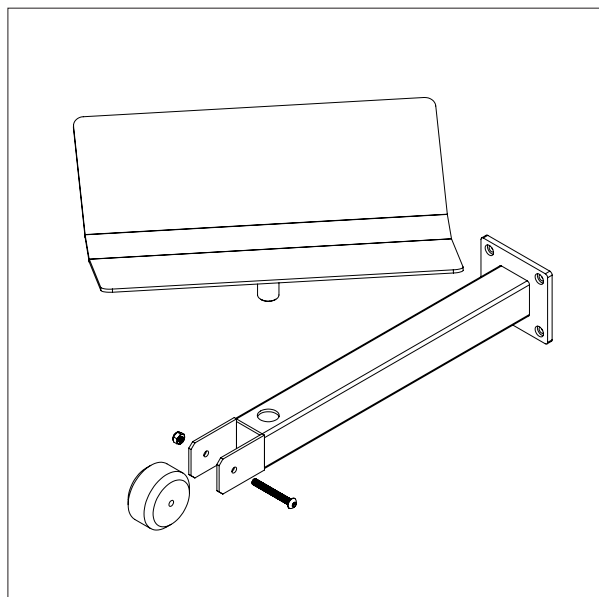


# IMPACT 90 / TOOLS

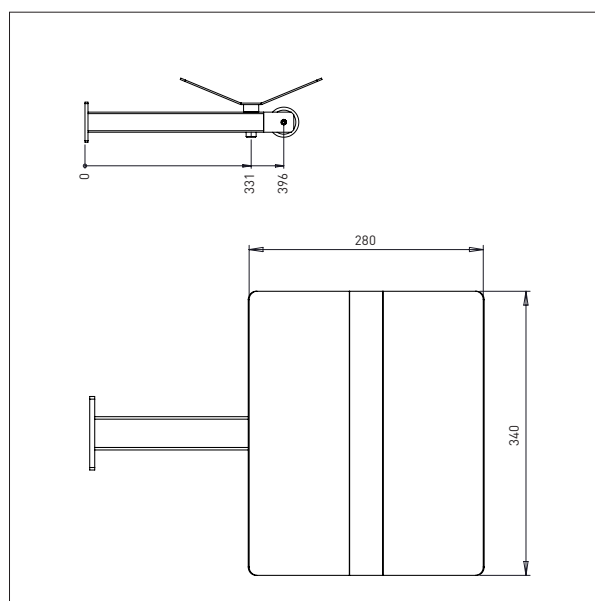
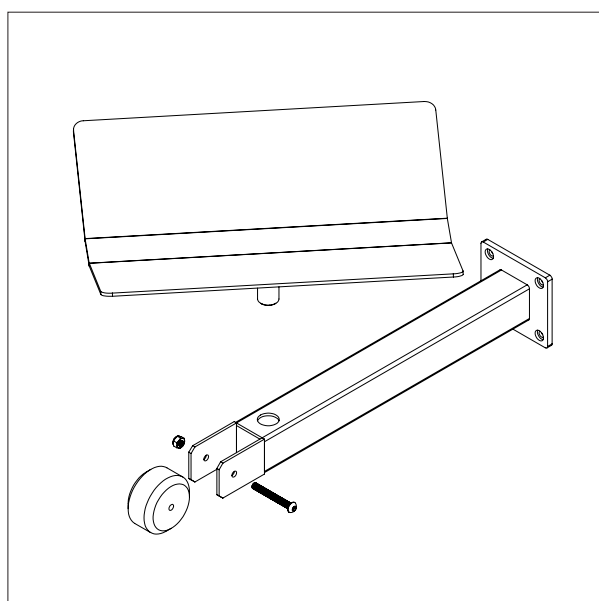
## BOOM + V-BLOCK

- All measurements in mm

### BOOM + V-BLOCK – DVB1



### BOOM + V-BLOCK – DVB2



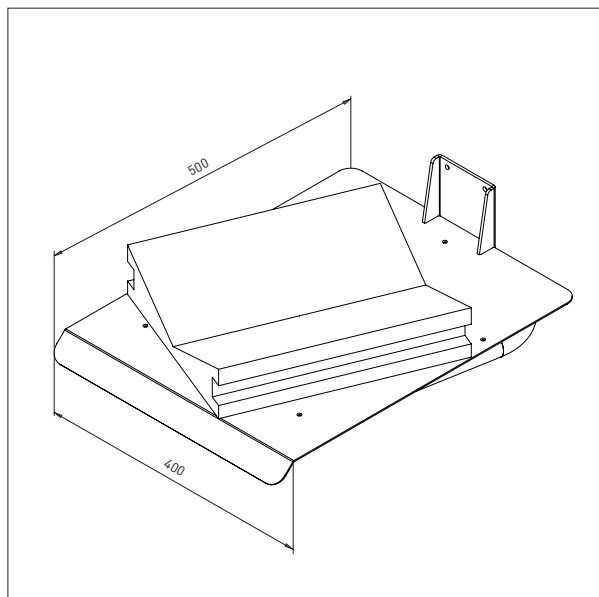
# IMPACT 90 / TOOLS

## PLATFORM + V-BLOCK

- All measurements in mm

### PLATFORM + V-BLOCK - EPV

Platform: 500 x 400





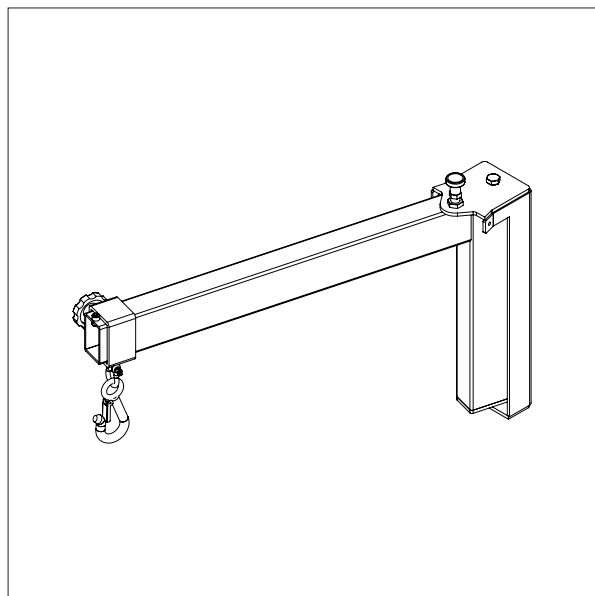
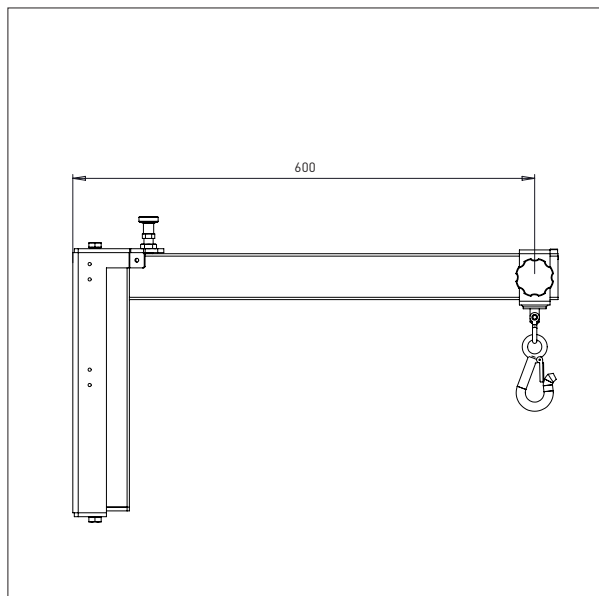
# IMPACT 90 / TOOLS

## CRANE ARM

- All measurements in mm

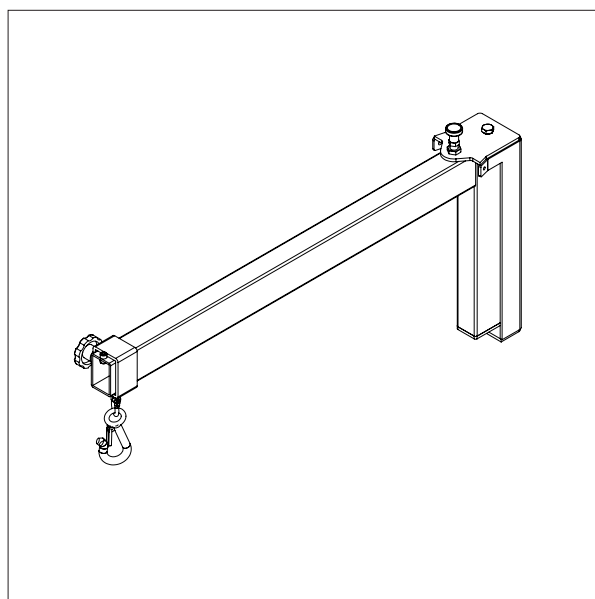
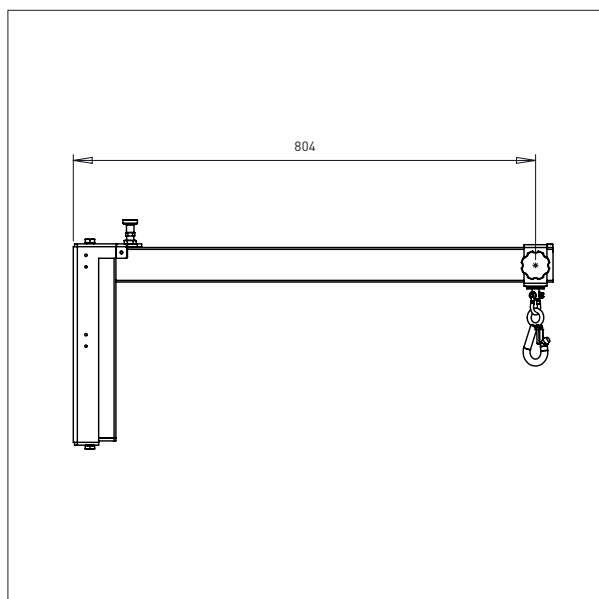
### CRANE ARM - KA1

L: 600



### CRANE ARM - KA2

L: 800

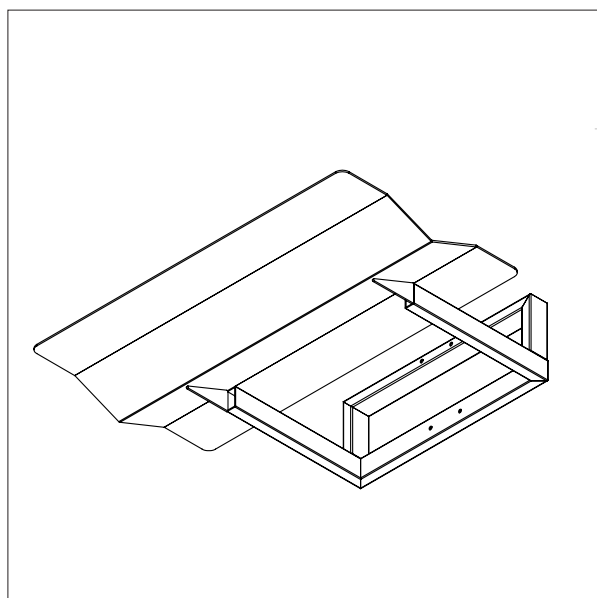
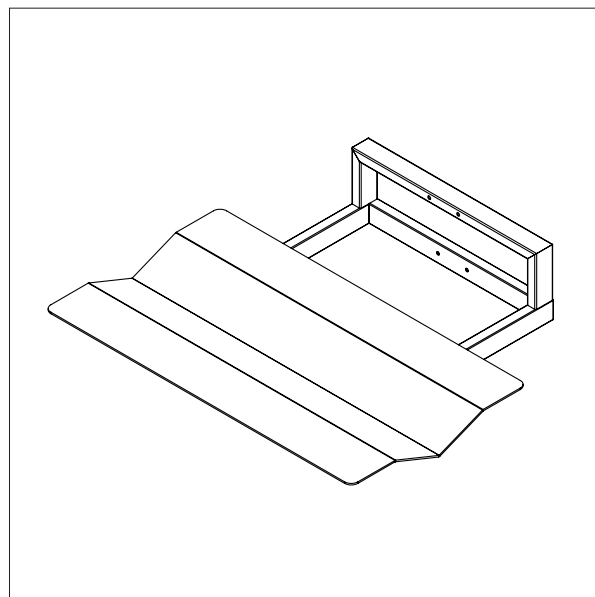
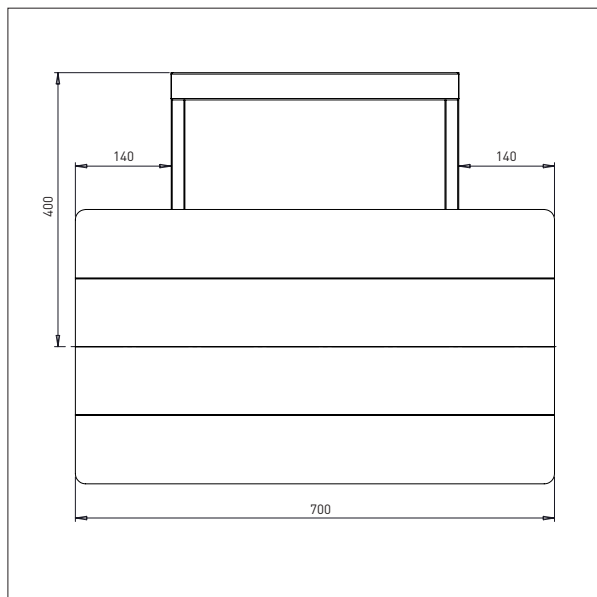


# IMPACT 90 / TOOLS

## WAVE

- All measurements in mm

### FIXED V-BLOCK - WAVE

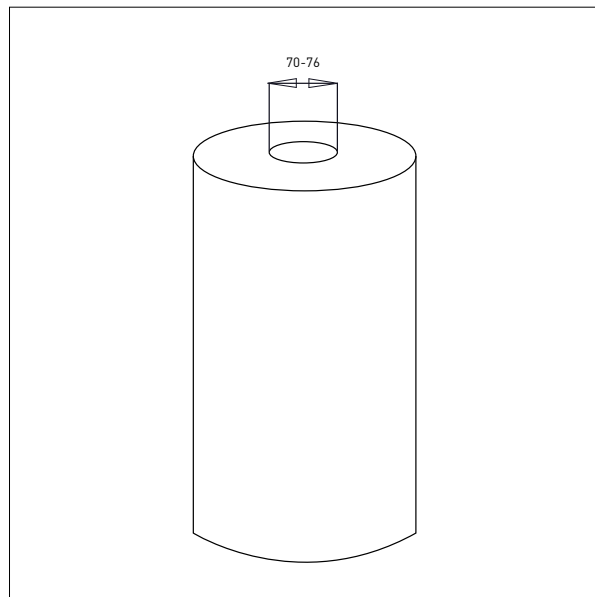
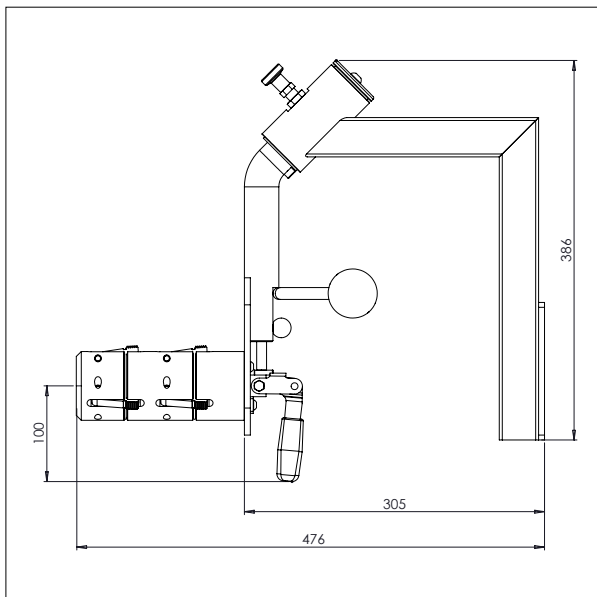
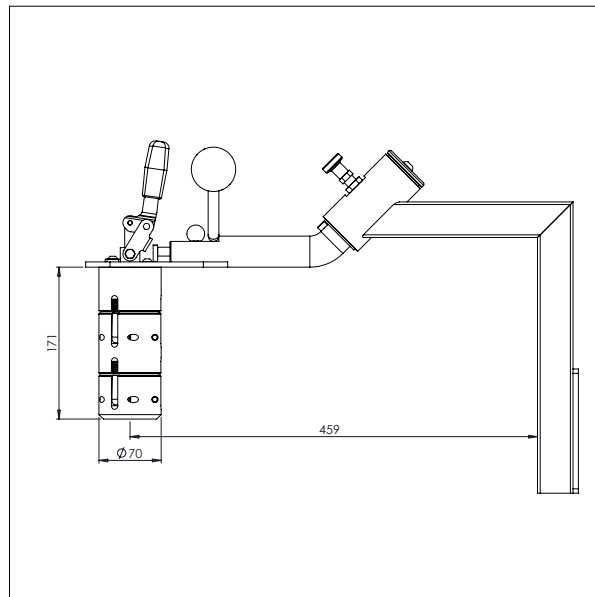
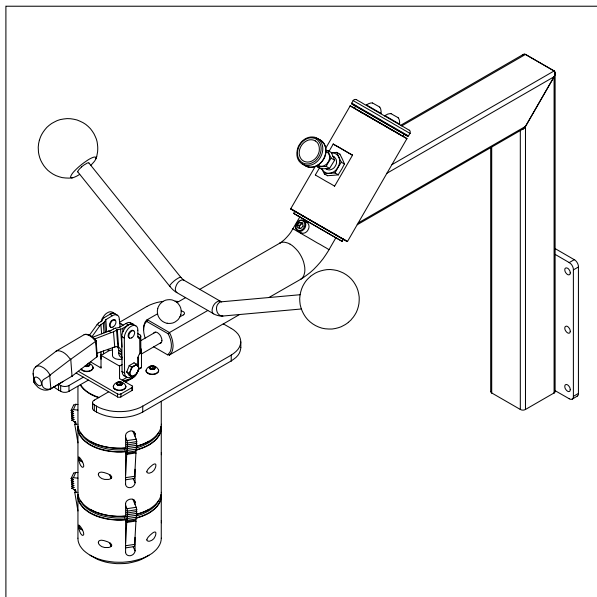


# IMPACT 90 / TOOLS

## REEL MANIPULATOR

- All measurements in mm

### REEL MANIPULATOR - MRP1

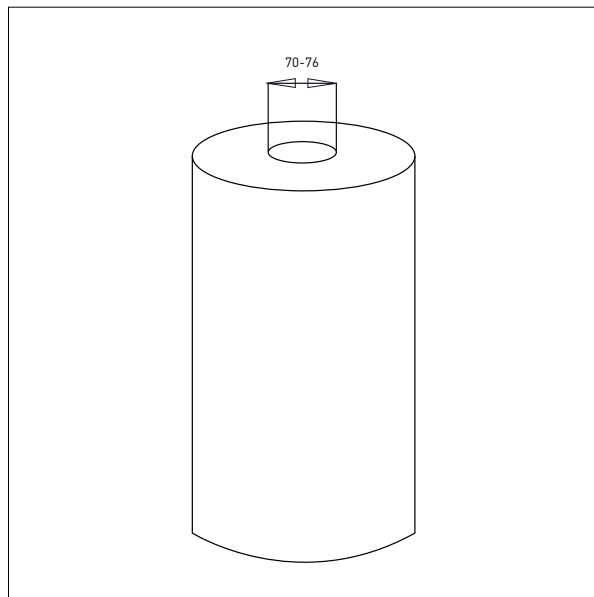
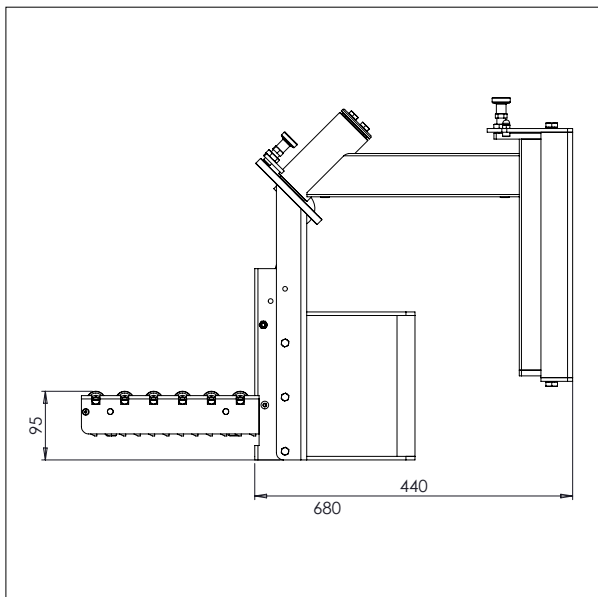
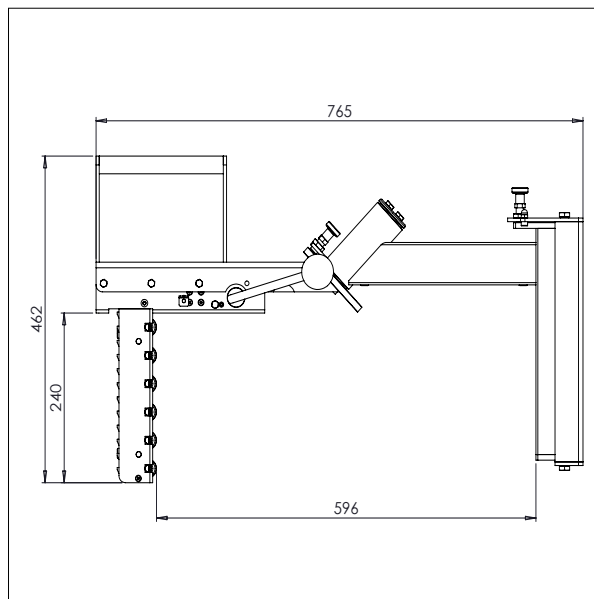
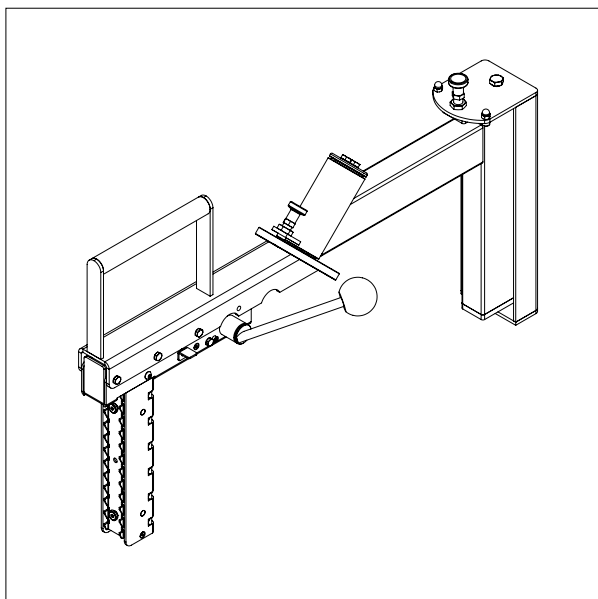


# IMPACT 90 / TOOLS

## REEL MANIPULATOR

- All measurements in mm

### REEL MANIPULATOR - MRP2



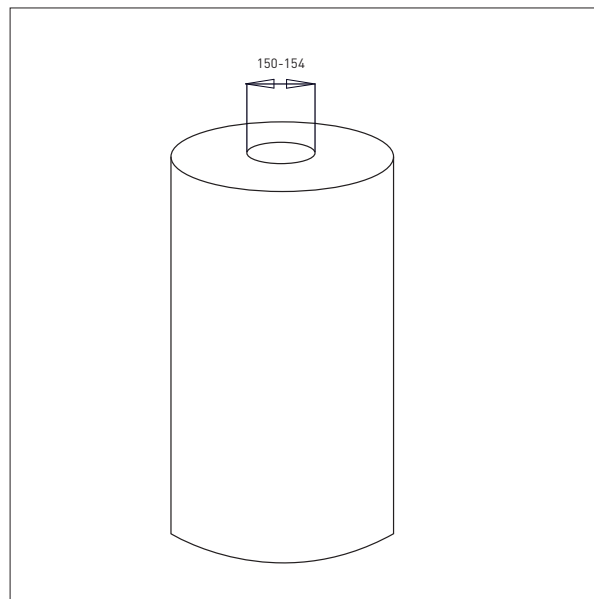
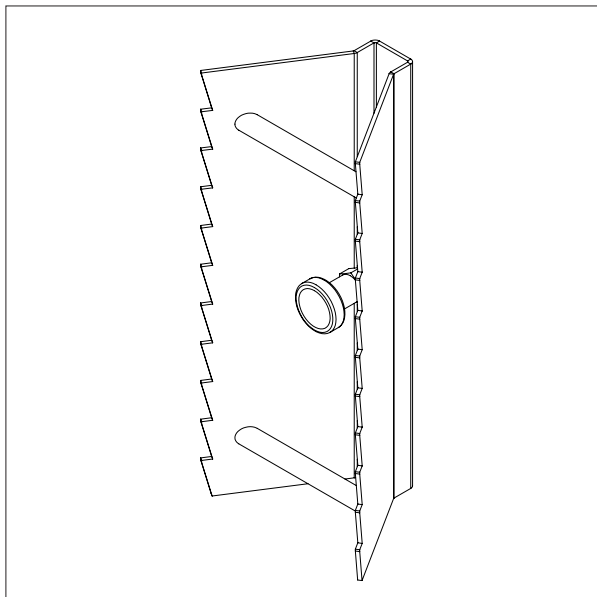
# IMPACT 90 / TOOLS

## MANDRIL ENLARGERS

- All measurements in mm

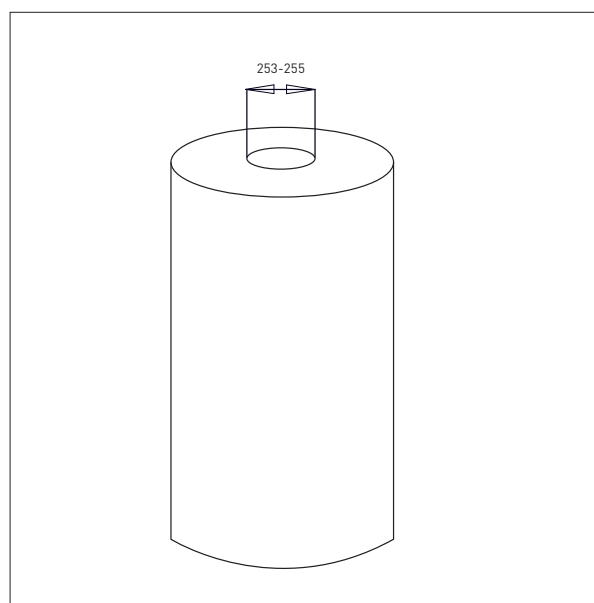
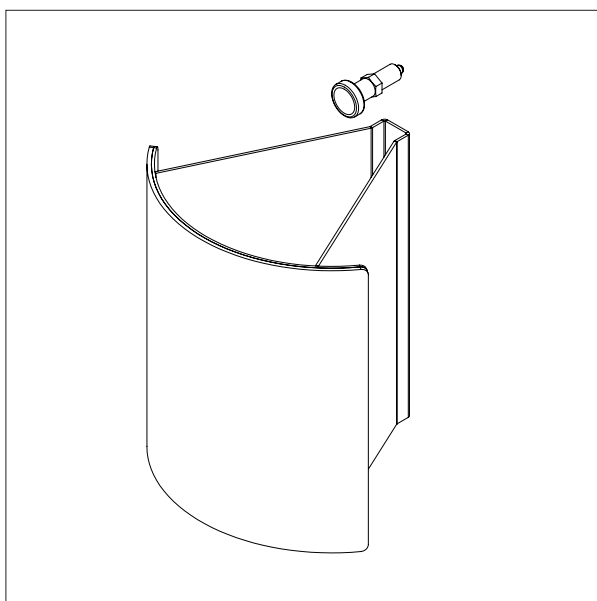
### MANDRIL ENLARGER - CL1

For:  $\varnothing 152$  mm/6"



### MANDRIL ENLARGER - CL2

For:  $\varnothing 254$  mm/10"



# IMPACT 90 / TOOLS

## REEL MANIPULATOR

- All measurements in mm

### REEL MANIPULATOR - MRP3

