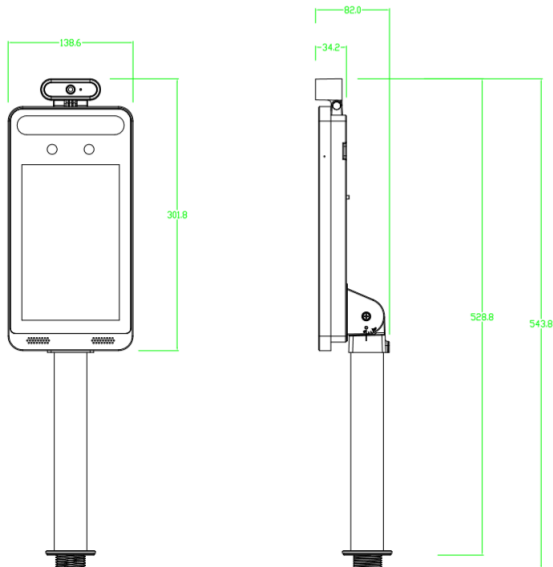


PAR-P2EMPTABLET

2MP HD Temperature Measurement & Face Recognition Terminal

Features

- 8 inch LCD screen
- High-accuracy IR body temperature measurement
- Non-contact body temperature measurement
- Human-sounding voice prompt
- Real-time face mask detection
- Face liveness detection technology distinguishing real faces from non-real face spoof attacks
- Highly accurate face recognition using deep learning algorithm
- Stand-alone device, ready for networking



Ordering Information

PAR-P2EMPTABLET: 2 Megapixel Terminal



Included Wall mount

Performance	PAR-P2EMPTABLET
OS	Embedded Linux
Storage	8Gb DDR3 + 16GB EMMC
Screen	
Display Screen	8inch LCD screen; resolution: 1280x800; contrast: 500:1
Brightness	500 lux
Control Interface	I2C
Temperature Measurement	
Temperature Measuring Range	89.6°~109.4° F (32°~43°C)
Accuracy	± (.54°F) 0.3°C
Measuring Distance	1Ft (0.3m)
Face Recognition	
Sensor	1/2.7
Lens	2MP dual-lens, f=3.97mm @ F1.6
Lens Mount	M12
WDR	120db
Height Range of Face Recognition	3.93-7.21Ft (1.2m-2.2m) (the recommended installation height is 4.75ft/1.45m)
Face Recognition Distance	0.98-6.56Ft (0.3m-2m)
Recognition Mode	Face: 1 N
Recognition Duration	≤ 0.5 s per person
Face Capacity	20,000
Recognition Accuracy	99.70%
Supplementary Light	
Fill-in Light	Soft white light, IR light
White Light Distance	3.28-9.84Ft (1-3m)
Smart Linkage	
Screen Wakeup	Yes
Light Adjustment	Yes
Snapshot	Yes
Audio	
Two-way Talk	Yes (noise reduction and echo cancellation)
Audio Input	1CH built-in MIC
Audio Output	Built-in speaker
Interface	
Network Interface	10/100Mbps self-adaptive Ethernet port x1
Alarm Input	2CH
Alarm Output	2 CH
Wiegand Interface	Wiegand input/output 26/34
RS485	RS485x1 (half duplex)
Door Lock Output	Relay output, NO/NC(optional), delay setting supported
SD Card Interface	1 micro SD card slot, up to 256G
USB Interface	USB x1
Anti-Tamper Interface	1 button
Exit Button	1
Reset Button	1
Others	
Power	12VDC@2.5A
Power Management	Screen sleep, screen protection
Power Consumption	<12W
Weight	Approx. 1.2KG
Installation	Wall Mounting Pole Mounting, Embedded Installation, Desktop
Protection	Surge Protection and Voltage Transient Protection
Certificate	CE, FCC
Environment Protection	Complies with Directive EU RoHS, WEEE(2012/19/EU), directive 94/62/EC and REACH(EC 1907/2006)
Working Environment	60°F~95°F <95% (non-condensing), without wind, indoor only, 7-10 ft from opening doorways to outside or HVAC vents, no direct sunlight on the thermopile sensor or tablet screen
Language Options	English, Espanol, Italiana, French, Deutsche, Nederlands, Hrvati, Magyar, Portuguese, Polski, Norsk & more
Dimensions(mm)	11.88x5.45x1.34 In (301.8x138.6x34.2mm)