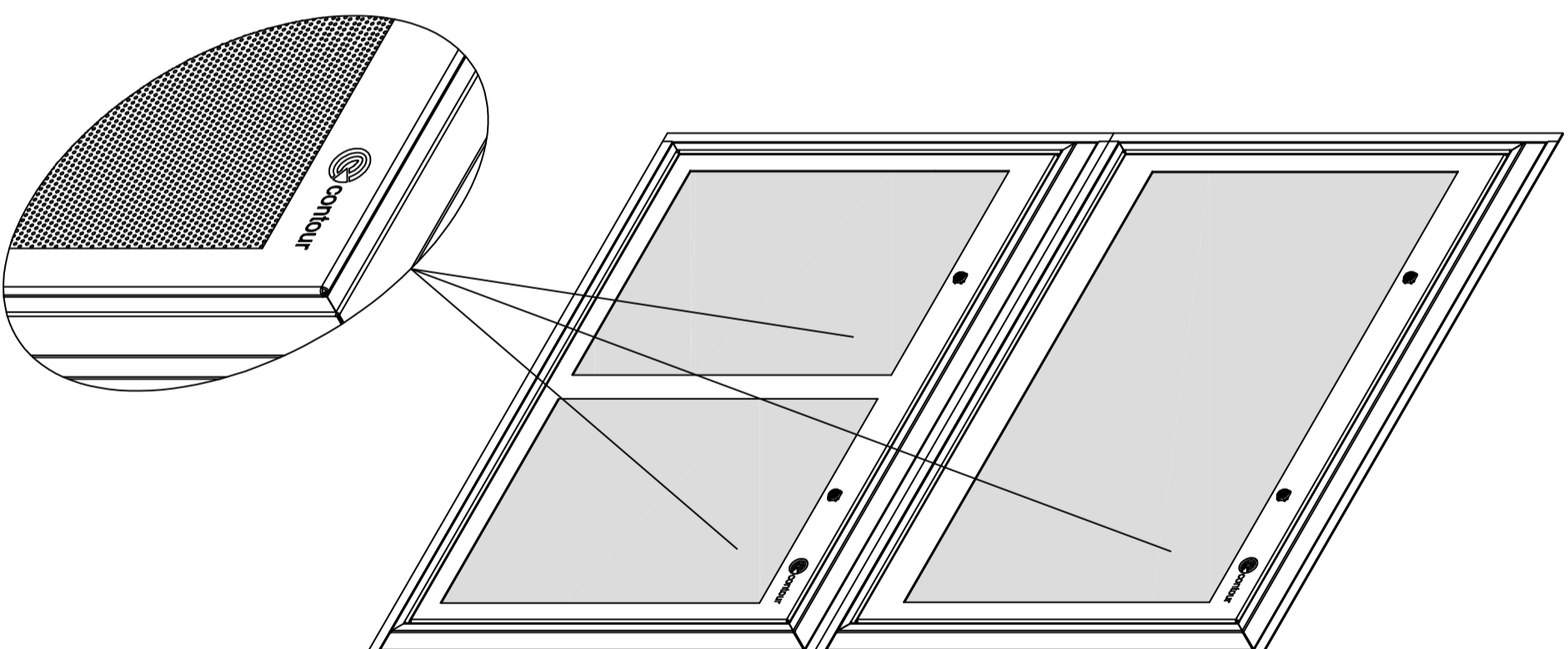
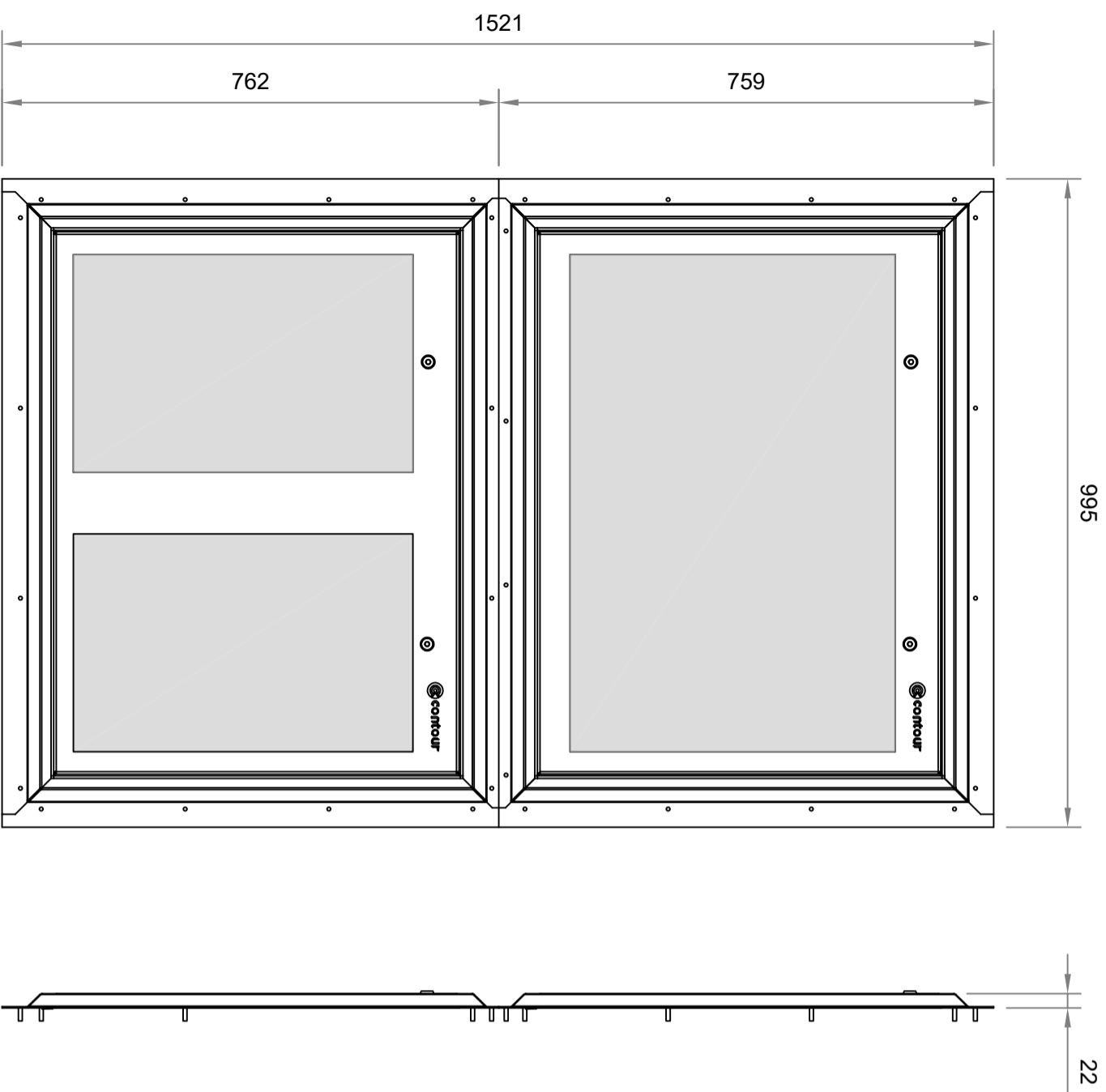
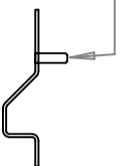


ANTI - LIGATURE AIR CONDITIONING GUARD - WALL MOUNTED - CLINCHED STUDS



M6x20mm CLINCH STUD



Type:
Anti Ligature Air Conditioning Guard

Model:
Surface Mounted - Clinched Studs

Manufacture:
1.5 - 2mm Zintec Steel
Chamfered Edges and Corners
Removable Doors for Maintenance to Air
Conditioning Unit behind.
IP3X Test Compliant Guard Grille (to BS EN 60529)
Incorporating 2mm dia Holes at 4mm Centres in a
Triangular Pitch Formation.
Fully Complies with 'Home Office Police Building
Design Guide - Custody 2009 section PD3.02.14.

Sizes:
Bespoke to suit Environment.
Multiple Doors may be required.

Finish:
Polyester PowderCoated RAL 9003
Patented BioCote® Anti-Microbial Agent.
Other Colours are available on request

Fixing Method:
Clinched Studs and Nuts to fix to Existing
Framework so Fixings are not Visible

Contour Heating Ltd
The Mansions, 43 Broadway
Shifnal
TF11 8BB
Tel: 01952 290498
Email: Sales@contourheating.co.uk
Web: www.contourheating.co.uk