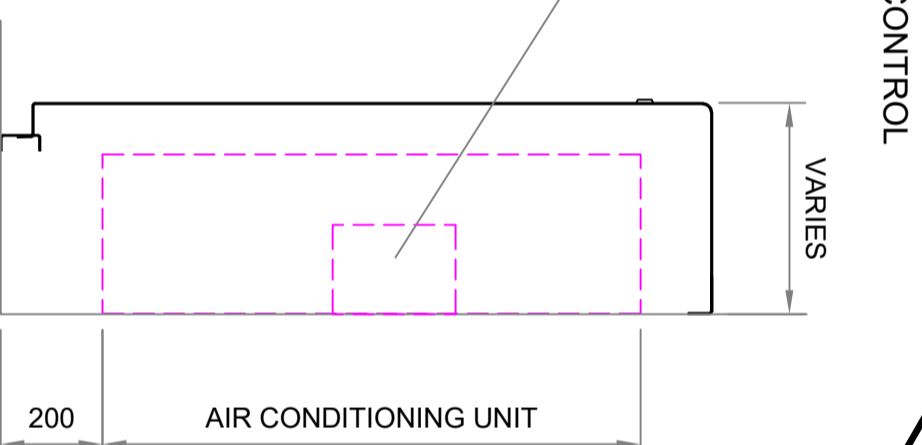
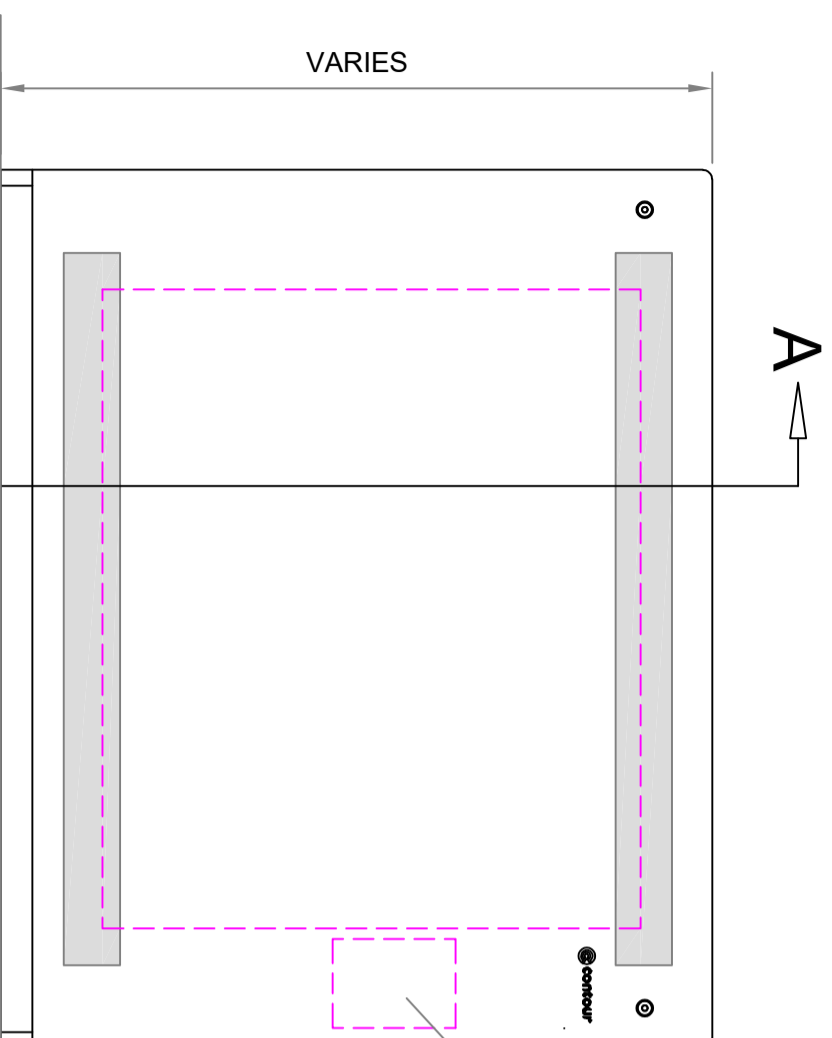
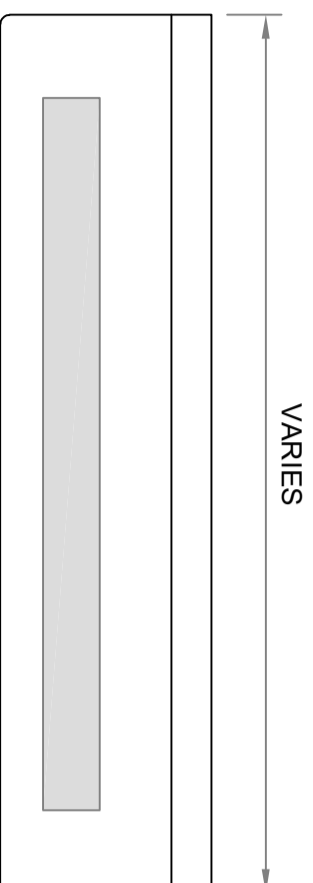
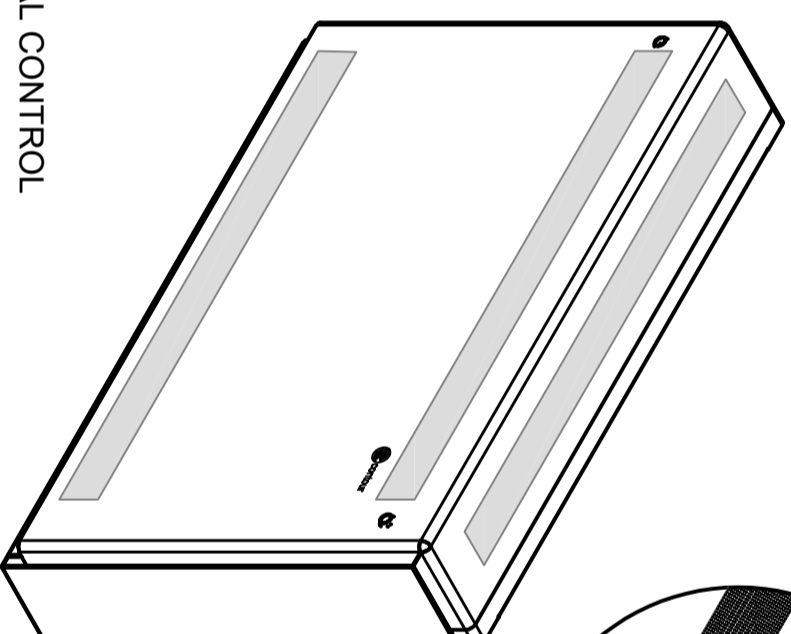
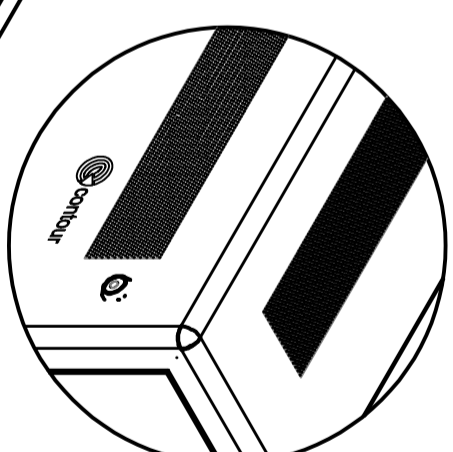


AIR CONDITIONING GUARD - FLAT TOP - FLOOR MOUNTED - ANTI LIGATURE



SECTION A - A

Type:
Air Conditioning Guard

Model:
Flat Top - Floor Mounted - Anti Ligature Grilles

Manufacture:
1.5 - 2mm Zintec Steel
Chamfered Edges and Corners
Removable Doors with 6mm PinHex Quarter Turn Locks for Maintenance to Air Conditioning Unit behind.
IP3X Test Compliant Guard Grille (to BS EN 60529) Incorporating 2mm dia Holes at 4mm Centres in a Triangular Pitch Formation.
Fully Complies with 'Home Office Police Building Design Guide - Custody 2009 section PD3.02.14.

Sizes:
Bespoke to suit Environment.
Finish:
Polyester PowderCoated RAL 9003
Patented BioCote® Anti-Microbial Agent.
Other Colours are available on request

Fixing Method:
All Fixings are Internal
Rawplug and Suitable Screws

Contour Heating Ltd
The Mansions, 43 Broadway
Shifnal
TF11 8BB
Tel: 01952 290498
Email: Sales@contourheating.co.uk
Web: www.contourheating.co.uk