

# Data sheet

## BMT-CI4

### BACnet module with analog inputs

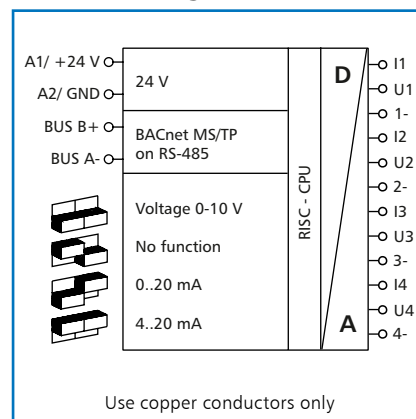
Part number  
1108901332

2018-12-04

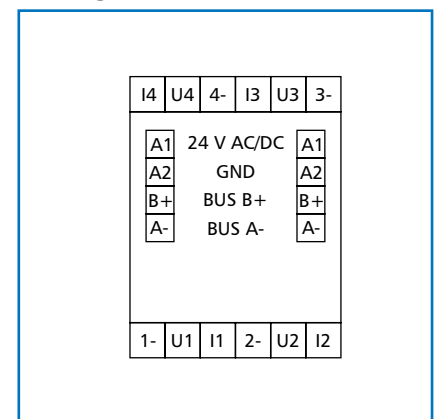
#### Illustrations



#### Principle diagram



#### Wiring



#### Product description

The BACnet MS/TP with 4 analog inputs was developed for decentralized switching tasks. It is suitable for detecting currents and voltages of, for example, active temperature sensors, electrical vent and mixing valves, valve positions, etc. Each input can be set as current or voltage input by DIP switches on the front.

The inputs can be scanned with standard objects via a BACnet client. Module address and bit rate are set with the two rotary switches on the front. Suitable for decentralized mounting on TH35 rails according to IEC 60715 in electrical distribution cabinets.

**Data sheet**  
**BMT-CI4**  
**BACnet module with analog inputs**

## Technical data

### Approvals

C-UL Certification	Open Energy Management Equipment 34TZ
--------------------	---------------------------------------

### Modbus interface

Protocol	BACnet MS/TP
Address range	00 to F9
Transmission rate	9600 to 115200 Bit/s
Bus interface	RS485 two wire bus with potential equalization in bus or line topology terminate with 120 Ohm

### Supply

Operating voltage	24 V AC/DC $\pm$ 10 % (SELV)
Current consumption	25 mA (AC) / 10 mA (DC)
Relative duty cycle	100 %

### Inputs

Analog inputs	4
Voltage input	0 to 10 V DC
Resolution	1 mV (0 to 100%)
Error	10 mV
Current range (adjustable)	0 to 20 mA DC or 4 to 20 mA DC
Resolution	2 $\mu$ A
Error	20 $\mu$ A

### Housing

Dimensions LxHxP	1.378 x 2.728 x 2.362 in. (35 x 69.3 x 60 mm)
Weight	84 g
Mounting position	any
Mounting	on TH35 rail per IEC 60715
Side-by-side mounting	Without space The maximum quantity of Modbus modules connected side-by-side is limited to 15 or to a maximum power consumption of 2 Amps (AC or DC) per connection to the power supply. For any similar block of additional modules a separate connection to the power supply is necessary

### Material

Housing	polyamide 6.6 V0
Terminal blocks	polyamide 6.6 V0
Cover plate	polycarbonate
Type of protection (IEC 60529)	
Housing	IP40
Terminal blocks	IP20

**Data sheet**  
**BMT-CI4**  
**BACnet module with analog inputs**

Page 3/4  
**Part number**  
**1108901332**

2018-12-04

## Technical data

<b>Terminal blocks</b>	
Supply and bus	
Terminal block	4-pole
Solid wire	max. AWG 16 (1.5 mm <sup>2</sup> )
Stranded wire	max. AWG 18 (1.0 mm <sup>2</sup> )
Wire diameter	0.3 mm to max. 1.4 mm
Module connection, analog inputs	
Solid wire	max. AWG 12 (4 mm <sup>2</sup> )
Stranded wire	max. AWG 14 (2.5 mm <sup>2</sup> )
Wire diameter	0.3 mm to max. 2.7 mm
Protective circuitry	Polarity reversal protection of operating voltage Polarity reversal protection of supply and bus
<b>Temperature range</b>	
Operation	23 °F to 131 °F (-5 °C to +55 °C)
Storage	-4 °F to +158 °F (-20 °C to +70 °C)
<b>Display</b>	
Operating and bus activity	green LED
Error indication	red LED
<b>Additional documents</b>	
Software description, mounting note, certificates	All additional documents are available for download at <a href="http://www.metz-connect.com">www.metz-connect.com</a>

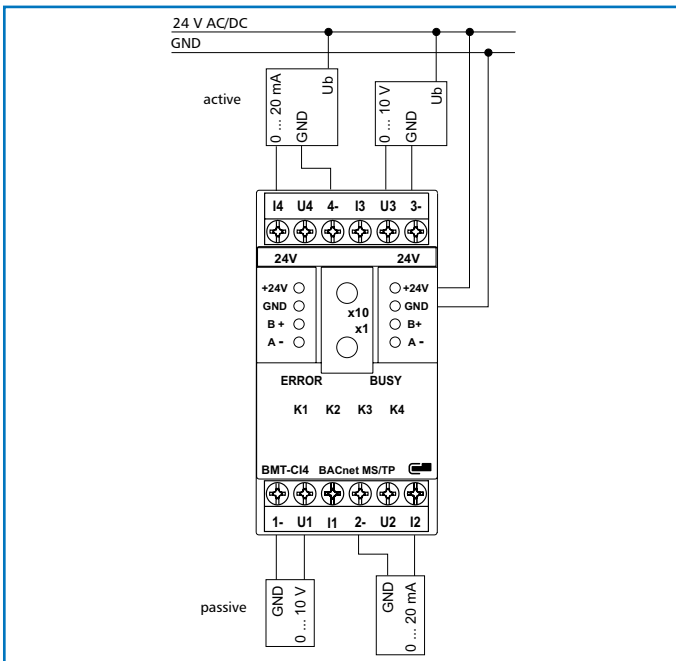


Data sheet

BMT-CI4

BACnet module with analog inputs

Connection example



Dimensional drawing

