

## MODEL PL-26000-20

**Filter Cartridges:** (20) EX-14D52-B16-SF

**Media Area:** 10,240 sq. ft.

**Dimensions:** 98" D x 98" W x 97" H  
(motor adds between 23" - 28")

**Weight:** 8,630-11,780 lbs.\*

### Equipment:

**eTell™ Intelligent Controls:** Forget about your dust collectors. They'll let you know when they need something. They are predictive, cloud-based, and smart.

**SafeSensor™:** Particulate Monitoring Device

**Endurex™ B16 Media:** Merv 16 PTFE membrane laminated to polyester spunbound substrate. RMO technology to provide maximum efficiency and particulate release.

**High Performance Acoustical Silencing**

**Heavy Duty Construction:** Fully welded 11 gauge steel

**Dynamic Pulsing System:**

Patent Pending, double-pulse filter cleaning system  
Offline Pulse – 24.48 SCFM\*\*  
Online (Dynamic Pulse) – 12.7 SCFM\*\*\*

**Vertical Filter Design**

**Extra Deep Dust Drawer**

**Nema 4X Super Seal Doors and Control Panel Enclosure**

**UL Listed Controls**

**Complete Packaged Product**

**Warranty:** 15 years on the cabinet; 5 years on components  
(See warranty document for details)

### Configuration Options:

**Hopper & Short Legs w/ 20 Gallon Drum** adds 61" to height

**Hopper & Long Legs w/ 55 Gallon Drum**  
adds 80" to height (Recommended for heavy loading applications)

**Rotary Air Lock** adds 92" to height

**Chimney Silencer** adds 30" to height

**Full top Silencer** adds 51" to height

### Options:

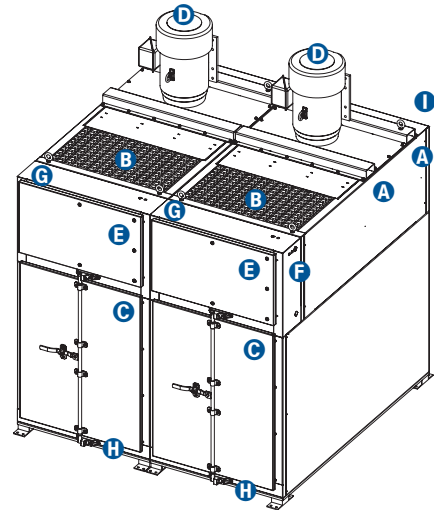
**Delta3™ SparkOut Spark Arrestor**

**Supprex-200™:** A completely engineered fire suppression system activated by heat, creating a safer work environment

**eDrive™:** Automatically adjust the airflow via a flow monitor and VFD to extend filter life and reduce energy cost by up to 30%

**AutoSaver™:** The Auto On/Off feature that reduces energy costs by running the filtration system ONLY when the cutting system is turned on

**Voltage Upgrades: 208, 230 or 575 Volts**



- A** Fork Pockets
- B** Clean Air Exhaust
- C** Filter Access Door
- D** Motor
- E** Electrical Enclosure
- F** Compressed Air & Solenoid Access
- G** Compressed Air Connection 1" NPT
- H** Dust Tray (inside Filter Access Door)
- I** Blower Access (on back)

Motor/Blower Configuration	CFM@IN S.P.	Air to Cloth Ratio	F.L. Amps @ 480V
(2) 15 HP 24 @ 30%	9300 @ 15	0.9:1	2 x 21.0
(2) 15 HP 24 @ 30%	10800 @ 10	1.1:1	2 x 21.0
(2) 20 HP 24 @ 30%	11300 @ 15	1.1:1	2 x 27.0
(2) 25 HP 30 @ 32%	18700 @ 10	1.8:1	2 x 34.0
(2) 25 HP 30 @ 32%	16500 @ 15	1.6:1	2 x 34.0
(2) 30 HP 30 @ 50%	20200 @ 15	2.0:1	2 x 40.0

\* Weight does NOT include Intakes or any custom options that may be added. For project specific weights, contact the Engineering department.

\*\* Every time the blower turns off: 15 cycles x 10 filters x 10 second intervals = 25 minutes at 12.24 SCFM

\*\*\* When the Online Pulse Threshold (typically 1kpa Filter DP) is exceeded: 6.35 SCFM until DP drops below Threshold. The amount of time over the Threshold (Online Pulsing active) is dependent on specific application filter loading.