



MASS FLOWMETERS & CONTROLLERS FLOW CONTROL

MFM 200 Series Mass Flow Meter & MFC 202 Series Mass Flow Controller

WestAir offers the Concoa brand Mass Flowmeter (MFM) and Mass Flow Controller (MFC) Series which are based on a modular design. At the heart of each instrument is an insulated thermal transfer sensor which provides enhanced zero stability. This sensor is designed to virtually eliminate long downtime due to clogging. Additionally, the MFM/MFC design features an integral filter and an easily replaceable closed loop electronics card.



MFC 202 SHOWN IN PHOTO

| <i>Features</i> | <i>Applications</i> |
|-----------------------------------|-------------------------|
| ±1% Of full-scale accuracy* | Leak testing |
| Proven reliability | Medical research |
| Range–20,000 SCCM (N2 equivalent) | Vapor deposition |
| NIST traceable calibration | R&D and process flows |
| | Semiconductor processes |
| | Pollution monitoring |
| | Gas blending |
| | Chromatography |

MFM 200 Specifications

| | |
|---------------------------------|--|
| Accuracy* and Linearity | ±1% F.S. |
| Repeatability | ±0.05% F.S. |
| Standard Pressure Rating | 500 PSIG (34 BAR) |
| Pressure Coefficient | -0.0067%/PSI (0-1000 PSIG/0-70 BAR N2) typical |
| Leak Integrity | <1x10 ⁻⁹ SCCS |
| Temperature Coefficient | Zero ±0.035% FS/°C 0-60°C (0-140° F) Span ±0.05% RDG/°C 0-60°C (0-140° F) |
| STP | 0°C and 760 TORR |
| Power | ±15 VDC @ ±25 mA |
| Flow Signal | (Inherently linear) 0-5.00 VDC |
| Wetted Material | 316 stainless steel, Viton®, 82/18 Au/Ni braze, trace silver solder |
| Connector | 15-pin subminiature D |
| Weight | 1.8 lb (0.82 kg) |
| | |
| | |

MFC 202 Specifications

| | |
|---------------------------------|---|
| Accuracy* and Linearity | ±1% F.S. |
| Repeatability | ±0.05% F.S. |
| Standard Pressure Rating | 500 PSIG (34 BAR) |
| Pressure Coefficient | -0.0067%/PSI (0-1000 PSIG/0-70 BAR N2) typical |
| Control Valve DP † | 15-65 PSIG (1-4.5 BAR) |
| Leak Integrity | <1x10 ⁻⁹ SCCS |
| Temperature Coefficient | Zero ±0.035% FS/°C 0-60°C (0-140° F) Span ±0.05% RDG/°C 0-60°C (0-140° F) |
| STP | 0°C and 760 TORR |
| Power | ±15 VDC @ ±60 mA/-185 mA |
| Flow Signal | (Inherently linear) 0-5.00 VDC |
| Command Signal | 0-500 VDC or 4-20 mA |
| Wetted Material | 316 stainless steel, 302 stainless steel, nickel, Viton®, 82/18 Au/Ni Braze, trace silver solder, Kalrez® |
| Connector | 15-pin subminiature D |
| Weight | 1.8 lb (0.82 kg) |

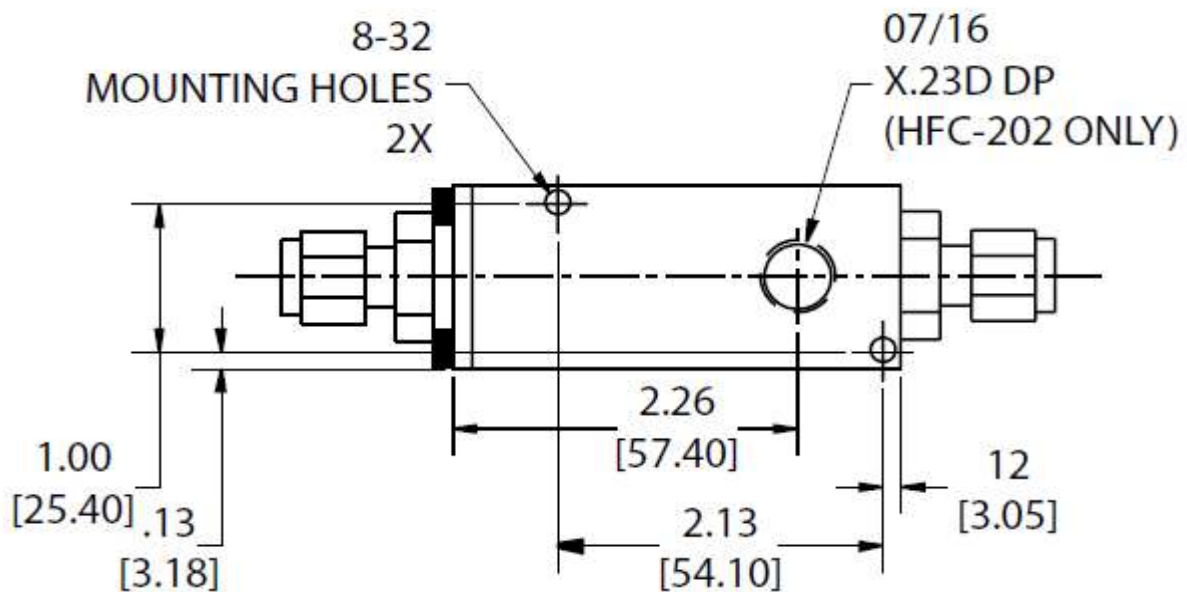
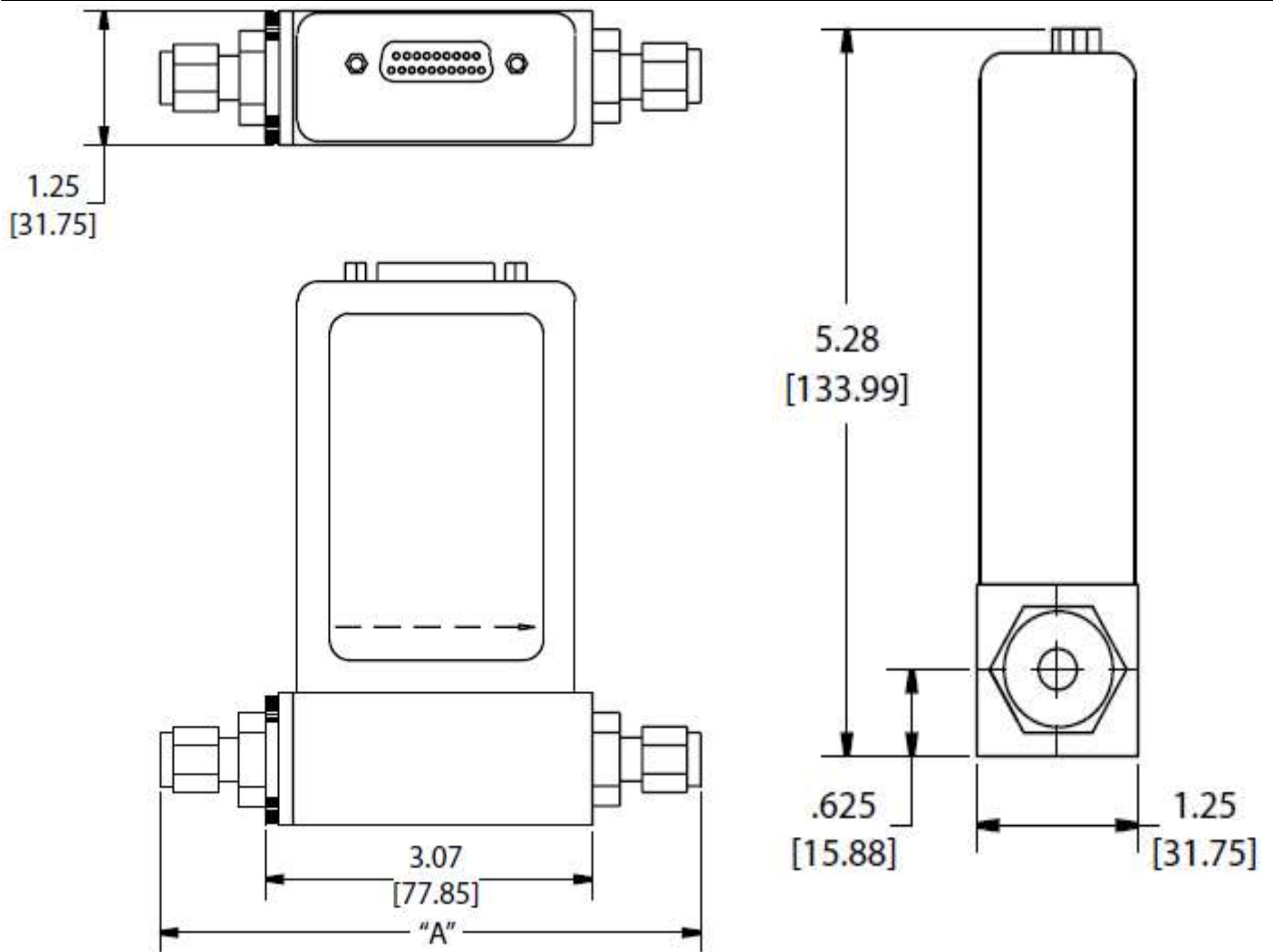
* See product manual for critical information on instrument accuracy and the use of GCFs (gas conversion factors). Stated accuracy is for nitrogen or other gas specific calibration and use with this gas only.

† Consult WESTAIR for other pressures.

MFM 200 & MFC 202 Fittings

| MFM & MFC Fitting Type | Dim "A" |
|---------------------------------|---------------|
| 1/8" tube fitting with nut 4.84 | 4.84 (122.94) |
| 1/4" tube fitting with nut 5.02 | 5.02 (127.51) |

Installation Dimensions



Order Information

| Mass Flow Meter Order Information MFM 200 | | |
|--|---------------|--------------|
| Part Number | Range NEFR | Tube Fitting |
| MFM 200-2-10 | 0-10 SCCM | 1/8" |
| MFM 200-2-100 | 0-100 SCCM | 1/8" |
| MFM 200-2-500 | 0-500 SCCM | 1/8" |
| MFM 200-2-1000 | 0-1000 SCCM | 1/8" |
| MFM 200-4-3L | 0-3 SLM | 1/4" |
| MFM 200-4-5L | 0-5 SLM | 1/4" |
| MFM 200-4-10L | 0-10 SLM | 1/4" |
| MFM 200-4-20L | 0-20 SLM | 1/4" |

| Mass Flow Controller Order Information MFC 202 | | |
|---|---------------|--------------|
| Part Number | Range NEFR | Tube Fitting |
| MFC 202-2-10 | 0-10 SCCM | 1/8" |
| MFC 202-2-100 | 0-100 SCCM | 1/8" |
| MFC 202-2-500 | 0-500 SCCM | 1/8" |
| MFC 202-2-1000 | 0-1000 SCCM | 1/8" |
| MFC 202-4-3L | 0-3 SLM | 1/4" |
| MFC 202-4-5L | 0-5 SLM | 1/4" |
| MFC 202-4-10L | 0-10 SLM | 1/4" |
| MFC 202-4-20L | 0-20 SLM | 1/4" |

Can't find what you need? We will be happy to assist you to find the right apparatus to fit your needs.