



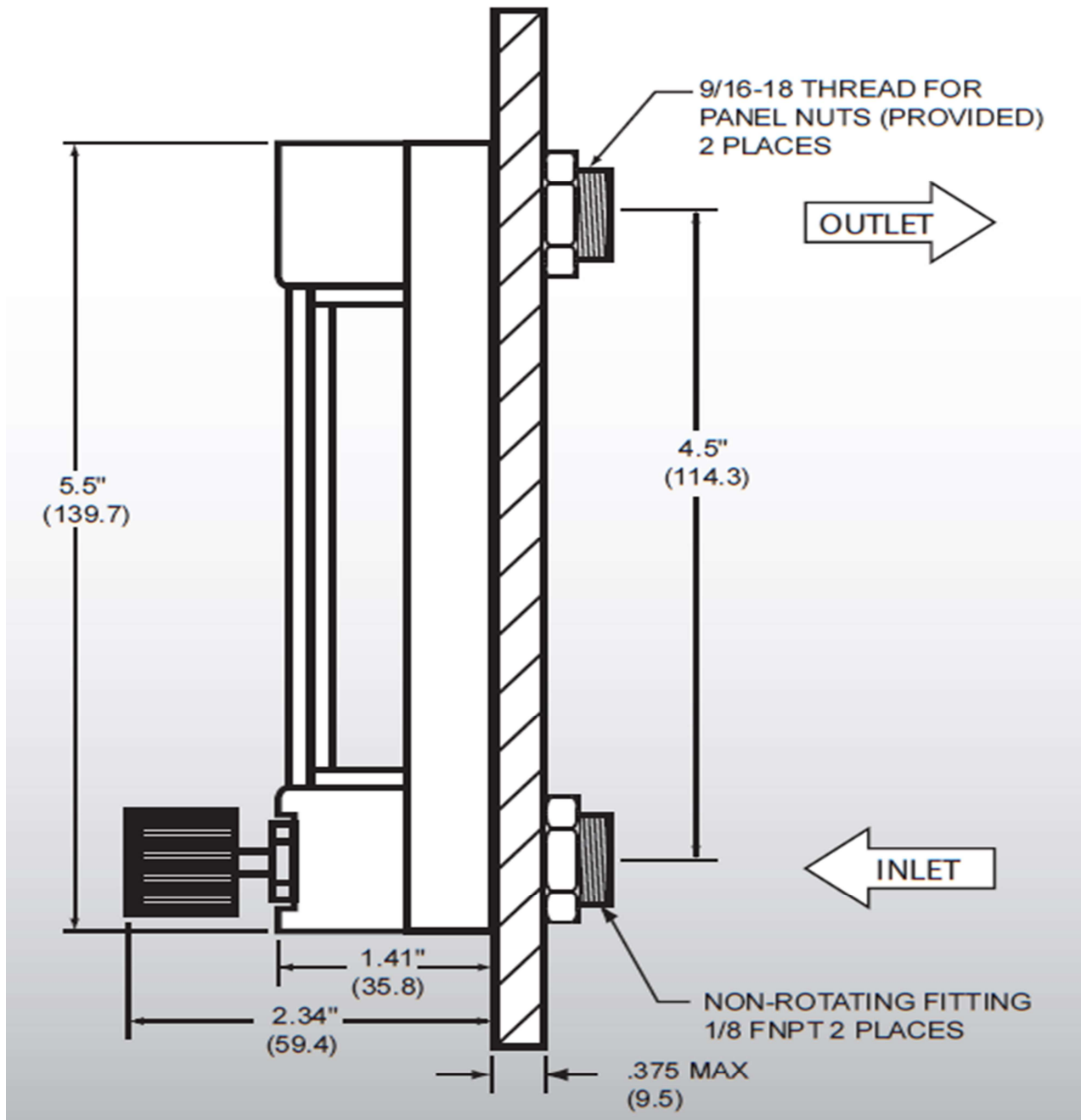
# 565 SERIES 65MM FLOWMETER

The 565 Series 65mm (2.6") variable area flowmeters offer inherent simplicity, versatility and economy in a precision flow instrument. The compact size of the 65mm (2.6") scale is preferred in industrial panel-mounting applications and for direct mounting to a pressure regulator. Flow readings from the millimeter scale are converted to actual flow using the calibration chart provided with the flowtube. WestAir offers a wide variety of flowtube and float combinations to provide the optimum flow range for your application.



<i>Features</i>	<i>Materials</i>	<i>Specifications</i>
<b>Rib-Guided Tube Internals</b> Precise stable flow readings	<b>Flowtube</b> Heavy-walled borosilicate glass	<b>Accuracy</b> ±5% full scale
<b>Rotating Magnifier Lens</b> Enhances reading resolution	<b>Front Shield</b> Lexan polycarbonate	<b>Repeatability</b> ±.25% full scale
<b>Two Panel Mount Retaining Nuts</b> Easy industrial panel mounting	<b>End Fitting</b> Brass or 316L stainless steel	<b>Maximum Pressure</b> 200 PSIG (14 BAR)
<b>Flowtubes Easily Interchangeable</b> One flowmeter frame accommodates a wide range of flow requirements	<b>Seals</b> Buna-N (aluminum) Viton® (316L stainless steel) EPDM (optional) Kalrez® (optional)	<b>Maximum Temperature</b> 200°F (93°C)
		<b>Useful Flow Range</b> 10:1

# 565 FLOWMETER DIAGRAM



<i>Features</i>	<i>Materials</i>	<i>Specifications</i>
<p><b>Rib-Guided Tube Internals</b> Precise stable flow readings</p> <p><b>Rotating Magnifier Lens</b> Enhances reading resolution</p> <p><b>Two Panel Mount Retaining Nuts</b> Easy industrial panel mounting</p> <p><b>Flowtubes Easily Interchangeable</b> One flowmeter frame accommodates a wide range of flow requirements</p>	<p><b>Flowtube</b> Heavy-walled borosilicate glass</p> <p><b>Front Shield</b> Lexan polycarbonate</p> <p><b>End Fitting</b> Brass or 316L stainless steel</p> <p><b>Seals</b> Buna-N (aluminum) Viton® (316L stainless steel) EPDM (optional) Kalrez® (optional)</p>	<p><b>Accuracy</b> ±3% full scale</p> <p><b>Repeatability</b> ±.25% full scale</p> <p><b>Maximum Pressure</b> 200 PSIG (14 BAR)</p> <p><b>Maximum Temperature</b> 200°F (93°C)</p> <p><b>Useful Flow Range</b> 10:1</p>

## Order Information

Model	Tube Size*	Float Material*	Material	Valve	End Connection*
Series	A	B	C	D	-CON(X)
565	1: 1	1: Glass	0: No frame* (fitting and float only)	0: Tube and float only	000: 1/8" FPT
	2: 2	2: Sapphire	1: Black anodized aluminum†	1: Standard valve	TF2: 1/8" tube
	3: 3	3: 316L stainless steel	2: 316L stainless steel†	2: High-accuracy valve*	TF4: 1/4" tube
	4: 4	4: Carbolloy	*Not available with a valve †not available without a valve	* Not available with tube size 8 or 9 (A=8 or 9)	HB4: 1/4" hose barb
	5: 5	*Please see selection chart below for air flow information		*For EPDM/EPR seals, add "E" after the end connection. For Kalrez® seals, add "K" after end connection.	
	6: 6				
	7: 7				
	8: 8				
	9: 9				

## Selection Chart

Tube Size	Float Material	Air Flow (14.7 PSIA @ 70° F)		
		ml/min	SCFH	LPM
1	1 (Glass)	51	0.11	0.05
1	2 (Sapphire)	78	0.17	0.08
1	3 (Stainless Steel)	156	0.33	0.15
1	4 (Carbolloy)	280	0.59	0.59
2	1 (Glass)	100	0.21	0.21
2	2 (Sapphire)	150	0.32	0.15
2	3 (Stainless Steel)	255	0.54	0.25
2	4 (Carbolloy)	475	1.01	0.48
3	1 (Glass)	400	0.85	0.40
3	2 (Sapphire)	545	1.16	0.55
3	3 (Stainless Steel)	845	1.79	0.84
3	4 (Carbolloy)	1275	2.70	1.27
4	1 (Glass)	900	1.91	0.90
4	2 (Sapphire)	1175	2.49	1.17
4	3 (Stainless Steel)	1780	3.77	1.78
4	4 (Carbolloy)	2600	5.51	2.60

Tube Size	Float Material	Air Flow (14.7 PSIA @ 70° F)		
		ml/min	SCFH	LPM
5	3 (Stainless Steel)	5000	10.6	5.00
5	4 (Carbolloy)	7200	15.30	7.22
6	1 (Glass)	4000	8.48	4.00
6	2 (Sapphire)	5200	11.00	5.20
6	3 (Stainless Steel)	7650	16.20	7.64
6	4 (Carbolloy)	11,000	23.30	11.00
7	1 (Glass)	6000	12.70	6.00
7	2 (Sapphire)	7240	15.30	7.22
7	3 (Stainless Steel)	11,420	24.20	11.42
7	4 (Carbolloy)	16,275	34.50	16.28
8	1 (Glass)	10,000	21.20	10.00
8	2 (Sapphire)	12,970	27.50	12.98
8	3 (Stainless Steel)	18,800	39.86	18.81
8	4 (Carbolloy)	26,665	56.53	26.68
9	1 (Glass)	24,500	51.94	24.51
9	2 (Sapphire)	31,900	67.63	31.92

## Related Options

Part Number	Description
CON 5600001	Tripod base
CON 5650001	Brass regulator adapter kit
CON 5650002	316L stainless steel regulator adapter kit

*Can't find what you need? We will be happy to assist you to find the right flowmeter to fit your needs.*