



533 SERIES MULTI-TURN VALVES FLOW CONTROL

The 533 Series diaphragm valves are ideal for use as the primary flow control in high purity or corrosive gas systems. Springless design and low wetted surface area combine to minimize particle generation and the completely swept path minimizes entrapment.



Materials and Specifications

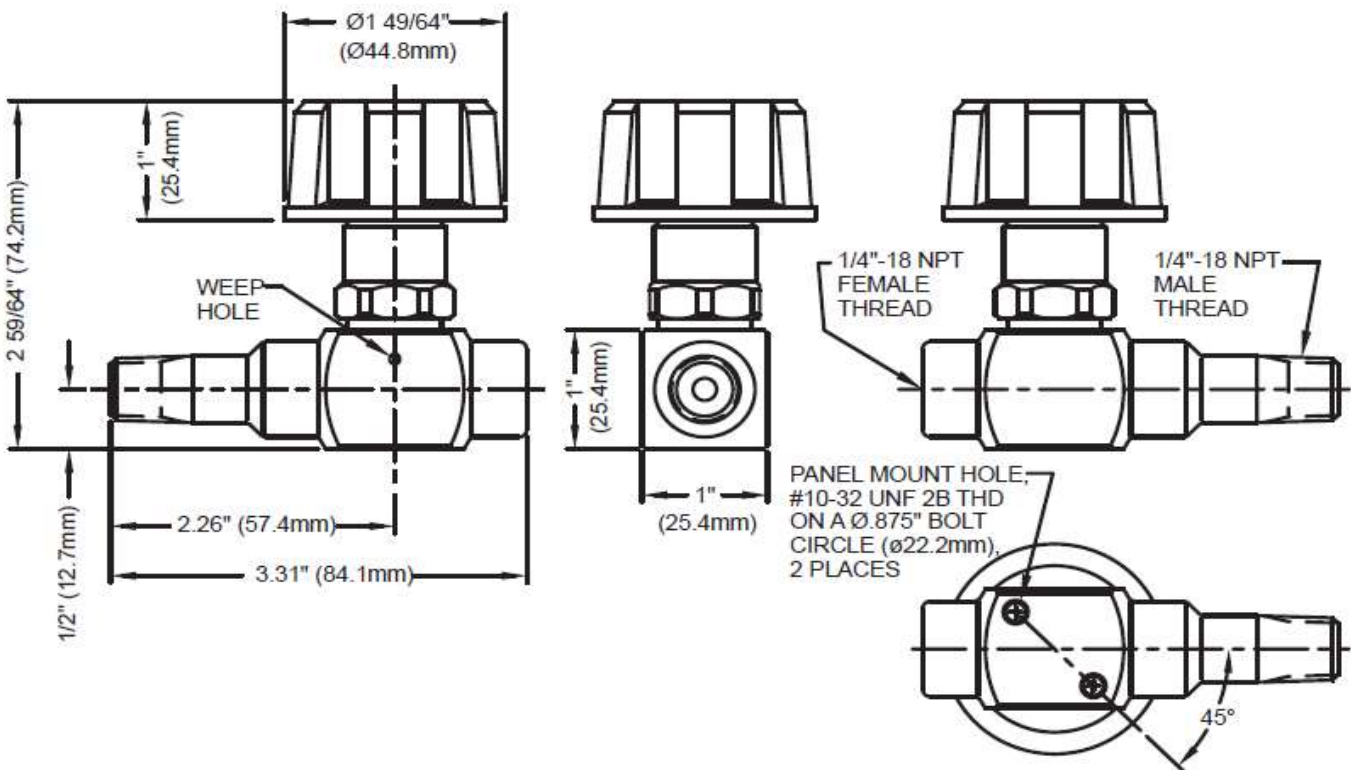
Maximum Inlet Pressure	3500 PSIG (240 BAR) @70°F
Temperature Range	-40°F to 140°F (-40°C to 60°C)
Helium Leak Integrity	1 x 10 ⁻⁹ scc/sec
Body	Brass barstock, 316L stainless steel, SilcoNert® 2000, and chrome-plated brass
Diaphragms	Elgiloy®
Seats	PCTFE
Seals	Metal-to-Metal
Cv	0.17
Weight	0.66 lbs. (0.3 kg)
<i>SilcoNert® is a registered trademark of SilcoTek Corporation.</i>	

Order Information

533 SERIES MULTI-TURN VALVES

Series	B	C	D
Series	Flow Direction	Material	Connection
533-3	0: Multi-turn right to left	2: Brass	0: 1/4" FPT x 1/4" FPT
	2: Multi-turn left to right*	4: 316L stainless steel	1: 6mm tube fitting x 6mm tube fitting
	*Only for D=3, 7, 8, and 9	5: Silconert® 2000	2: 1/4" tube fitting x 1/4" tube fitting
		9: Chrome-plated brass	3: 1/4" MPT (extended leg) x 1/4" tube fitting
			4: 1/4" MPT x 1/4" MPT
			7: 1/4" MPT x 6mm tube fitting
			8: 1/4" MPT (extended leg) x 1/8" tube fitting
			9: 1/4" MPT (extended leg) x 1/4" FPT

INSTALL DIMENSIONS



INSTALL DIMENSIONS - continued

