



# 493 SINGLE STAGE STAINLESS STEEL 6K PISTON REGULATOR

The 493 Series regulator applications are wide and varied including high flow purging, pressure testing, manifold and line regulation.

## Highlighted Features

- Single Stage
- Piston-Sensed
- Ultra-High Pressure
- 316L Stainless Steel Barstock Body

## Typical Applications

- ❖ Airplane strut charging
- ❖ Research and development laboratories
- ❖ Chemical manufacturing
- ❖ Aerospace hydraulic systems
- ❖ Pharmaceutical manufacturing
- ❖ Gauge calibration



493 REGULATOR  
SHOWN HERE

Features	Materials	Specifications
<p><b>Large Piston Sensor</b> Safely control pressures to 6000 PSIG (415 BAR)</p> <p><b>CAPSULE® Seat</b> Increased serviceability and life</p> <p><b>Low Wetted Surface Area</b> Minimal purge requirements</p> <p><b>Field-Adjustable Pressure Limit</b> Safeguard downstream equipment</p> <p><b>316 Stainless Steel Barstock Body</b> Smooth surface finish</p> <p><b>Front and Rear Panel-Mountable</b> Versatile system configuration</p> <p><b>Pressure Ranges 0-750 to 0-6000 PSIG (0-50 to 0-415 BAR)</b> Broad range of applications</p> <p><b>Six Port Design</b> Flexible installation alternatives</p>	<p><b>Body</b> 316L stainless steel barstock</p> <p><b>Bonnet</b> 304 stainless steel</p> <p><b>Seat</b> PCTFE 3000 and 4500 PSIG (210 and 310 BAR) inlet Arlon® (PEEK) 6000 PSIG (415 BAR) inlet</p> <p><b>Piston</b> 316L stainless steel</p> <p><b>Filter</b> Patented 10 micron 316 mesh</p> <p><b>Internal Seals</b> Viton®</p>	<p><b>Maximum Inlet Pressure</b> 6000 PSIG (415 BAR)</p> <p><b>Temperature Range</b> -40°F to 140°F (-40°C to 60°C)</p> <p><b>Gauges</b> 2 1/2" (53mm) diameter stainless steel</p> <p><b>Ports</b> 1/4" FPT</p> <p><b>Cv</b> 0.1 <i>Refer to flow curve chart below</i></p> <p><b>Weight (493 5952-677)</b> 4.64 lbs. (2.10 kg)</p>

# Order Information

Model	A		B		C	D	-CON	Installed Options
Series	Outlet Pressure	Outlet Gauge	Inlet Maximum	Inlet Gauge	Outlet Assemblies	Gauges	Inlet Connections	
493	1: 0-750 PSIG (0-50 BAR)	0-1000 PSIG/ 0-70 BAR	0: 6000 PSIG (0-415 BAR) <sup>3</sup>	None	0: 1/4" FPT port		0: Bare body <sup>4</sup> CGA DIN 477 BS 341 and others available	B: Protocol alarm station with pressure switch gauges
	2: 0-1500 PSIG (0-100 BAR)	0-4000 PSIG/ 0-275 BAR	3: 3000 PSIG (210 BAR)	0-4000 PSIG/ 0-275 BAR	1: 1/4" MPT 2: 1/4" tube fitting		1: Cleanroom assembly (PSIG/kPa gauges)	C: Protocol switchover station
	3: 0-2500 PSIG (0-170 BAR)	0-4000 PSIG/ 0-275 BAR	8: 5500 PSIG (379 BAR)	0-6000 PSIG/ 0-415 BAR	5: Needle valve 1/4" MPT 6: 1/8" tube fitting 7: 3/8" tube fitting		2: Cleanroom assembly (BAR/PSIG gauges)	E: Protocol alarm station with intrinsically safe transducer for hazardous environments
	4: 0-4500 PSIG (0-310 BAR) <sup>1</sup>	0-6000 PSIG/ 0-415 BAR	9: 6000 PSIG (415 BAR)	0-10,000 PSIG/ 0-700 BAR	F: Needle valve 1/4" tube fitting			H: Protocol switchover alarm station with pressure switch gauges
	5: 0-6000 PSIG (0-415 BAR) <sup>2</sup>	0-10,000 PSIG/ 0-700 BAR			M: 6mm tube fitting			J: Protocol alarm station with standard transducer for non-hazardous environments
	6: 0-3500 PSIG (241 BAR) <sup>1</sup>	0-6000 PSIG/ 415 BAR			Note: Outlet fittings and outlet valves are 316 stainless steel			K: Protocol switchover alarm station with standard transducer for non-hazardous environments
							M: Protocol station Q: Protocol purge station <sup>5</sup>  X: Protocol switchover alarm station with intrinsically safe transducer for hazardous environments	

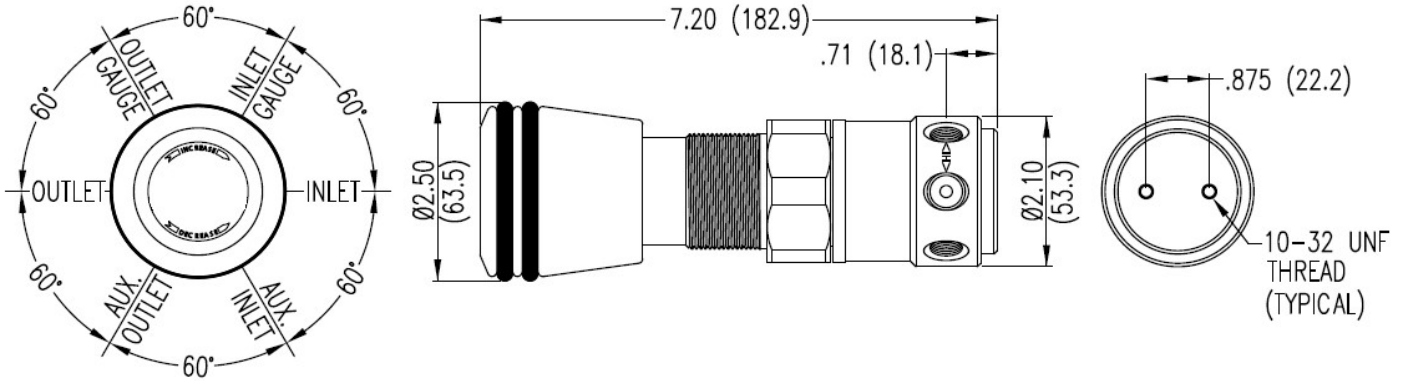
**Notes:**

- <sup>1</sup> Not available with 3000 PSIG (210 BAR) maximum inlet pressure
- <sup>2</sup> Only available with 6000 PSIG (415 BAR) maximum inlet pressure
- <sup>3</sup> Only valid if D=1 or 2 (outlet gauge specified)
- <sup>4</sup> B must be 3, 8 or 9 (maximum pressure specified)
- <sup>5</sup> 3000 PSIG (210 BAR) maximum inlet only valid if B=3

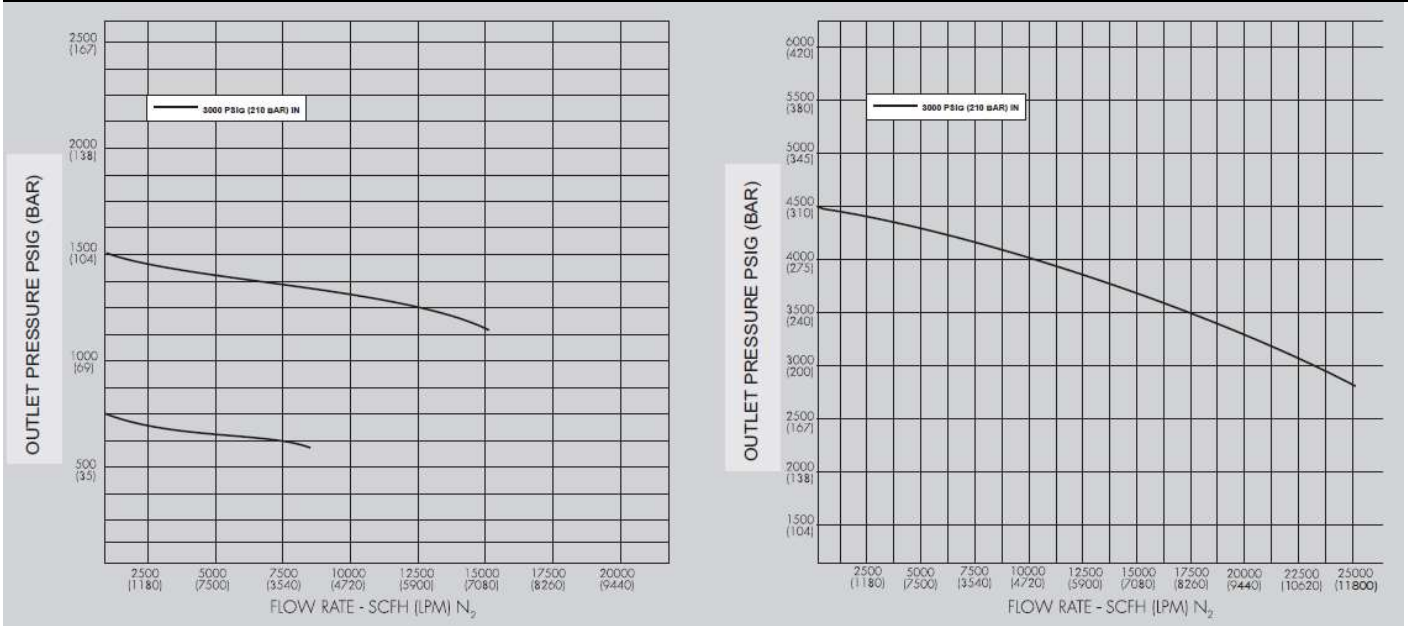
## Related Options

Part Number	Description
CON 830 6483	Panel mount kit - To mount the regulator using bonnet threads. Material: Chrome-plated brass

## Installation Dimensions



## 493 Regulator Flow Curves



*Can't find what you need? We will be happy to assist you to find the right regulator to fit your needs.*