



484 SINGLE STAGE STAINLESS STEEL LINE REGULATOR

The 484 Series regulator applications are wide and varied including high flow purging, semiconductor CDA and bulk gas supply, modified atmosphere packaging, pharmaceutical processing, manifold and line regulation.

Highlighted Features

- Single Stage
- Ultra-High Flow
- Stainless Steel Barstock Body
- Four Port Configuration
- 316L Stainless Steel Diaphragm

Typical Applications

- ❖ Bulk gas distribution systems
- ❖ Gas and liquid chromatography
- ❖ High purity carrier gases
- ❖ Zero, span, and calibration gases
- ❖ High purity chamber pressurization
- ❖ Liquefied hydrocarbon control gas
- ❖ Control of cryogenic gases
- ❖ Corrosive gas service



Features	Materials	Specifications
<p>PTFE Diaphragm Seal No possibility of gas contamination</p> <p>ISOFLOW Technology Internal equalization provides constant delivery pressure at high flows</p> <p>316L Stainless Steel Barstock Body Corrosion resistance for smooth surface finish</p> <p>Rear Panel-Mountable Versatile system configuration</p> <p>Pressure Ranges 0-15 to 0-250 PSIG (0-1 to 0-17 BAR) Broad range of applications</p> <p>3000 PSIG (210 BAR) Inlet Pressure Rating Safe use with high pressure cylinders</p> <p>Pipe Away Relief Valve Safely vents exhaust gases</p>	<p>Body 316L stainless steel barstock</p> <p>Bonnet Chrome-plated die-cast zinc</p> <p>Seat PCTFE</p> <p>Filter 40 micron 316L stainless steel mesh</p> <p>Diaphragm 316L stainless steel</p> <p>Internal Seals PTFE</p>	<p>Maximum Inlet Pressure 3000 PSIG (210 BAR)</p> <p>Temperature Range -40°F to 140°F (-40°C to 60°C)</p> <p>Gauge 2" (53mm) diameter brass</p> <p>Ports 1/2" FPT (inlet/outlet) 1/4" FPT (gauge/relief valve)</p> <p>Helium Leak Integrity 1 x 10⁻⁸ scc/sec</p> <p>Cv 0.1 <i>Flow curves on pages to follow</i></p> <p>Weight (484 3001-000) 4.52 lbs. (2.05 kg)</p>

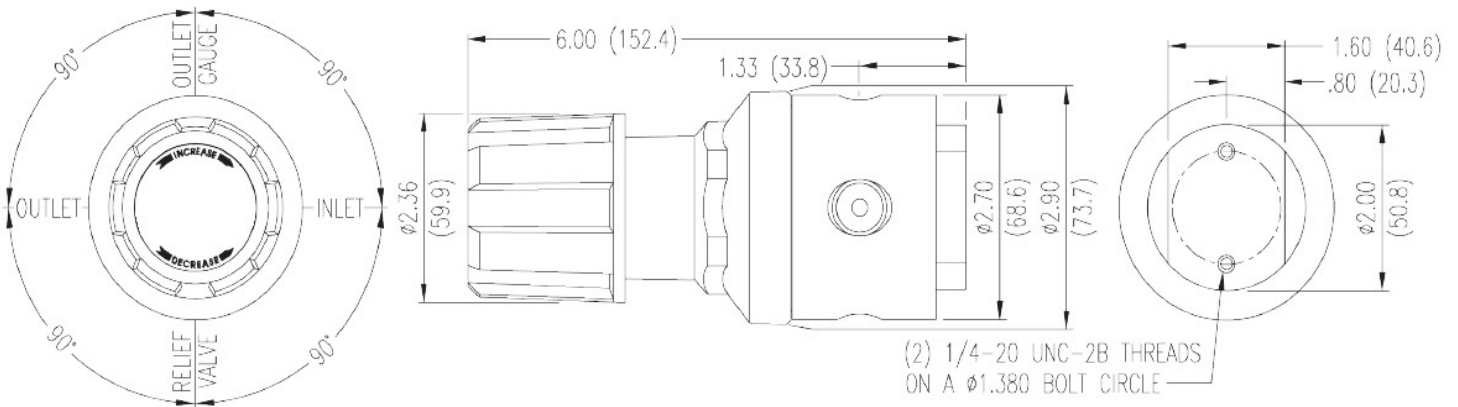
Order Information

Model	A	B	C	D	-CON	OPTIONS	
Series	Outlet Pressure	Outlet Gauge	Inlet Gauge	Outlet Assemblies	Assembly/Gauges	Inlet Connections	Installed Options
484	1: 0-15 PSIG (0-1 BAR)	30"-0-30 PSIG/ -1-0-2 BAR	0: None	0: 1/2" FPT port	0: Bare body	000: 1/2" FPT	None
	2: 0-40 PSIG (0-3 BAR)	30"-0-60 PSIG/ -1-0-4 BAR		1: 1/2" tube fitting	1: Cleanroom assembly (PSIG/kPa gauges)	TF8: 1/2" tube	
	3: 0-120 PSIG (0-8 BAR)	30"-0-200 PSIG/ -1-0-14 BAR		5: Needle valve 1/4" MPT	2: Cleanroom assembly (BAR/PSIG gauges)	M12: 12mm tube	
	4: 0-200 PSIG (0-14 BAR)	0-400 PSIG/ 0-27 BAR		P: 12mm tube fitting	6: Mirror image assembly (PSIG/kPa gauges)		
	5: 0-250 PSIG (0-17 BAR)	0-400 PSIG/ 0-27 BAR			7: Mirror image assembly (BAR/PSIG gauges)		

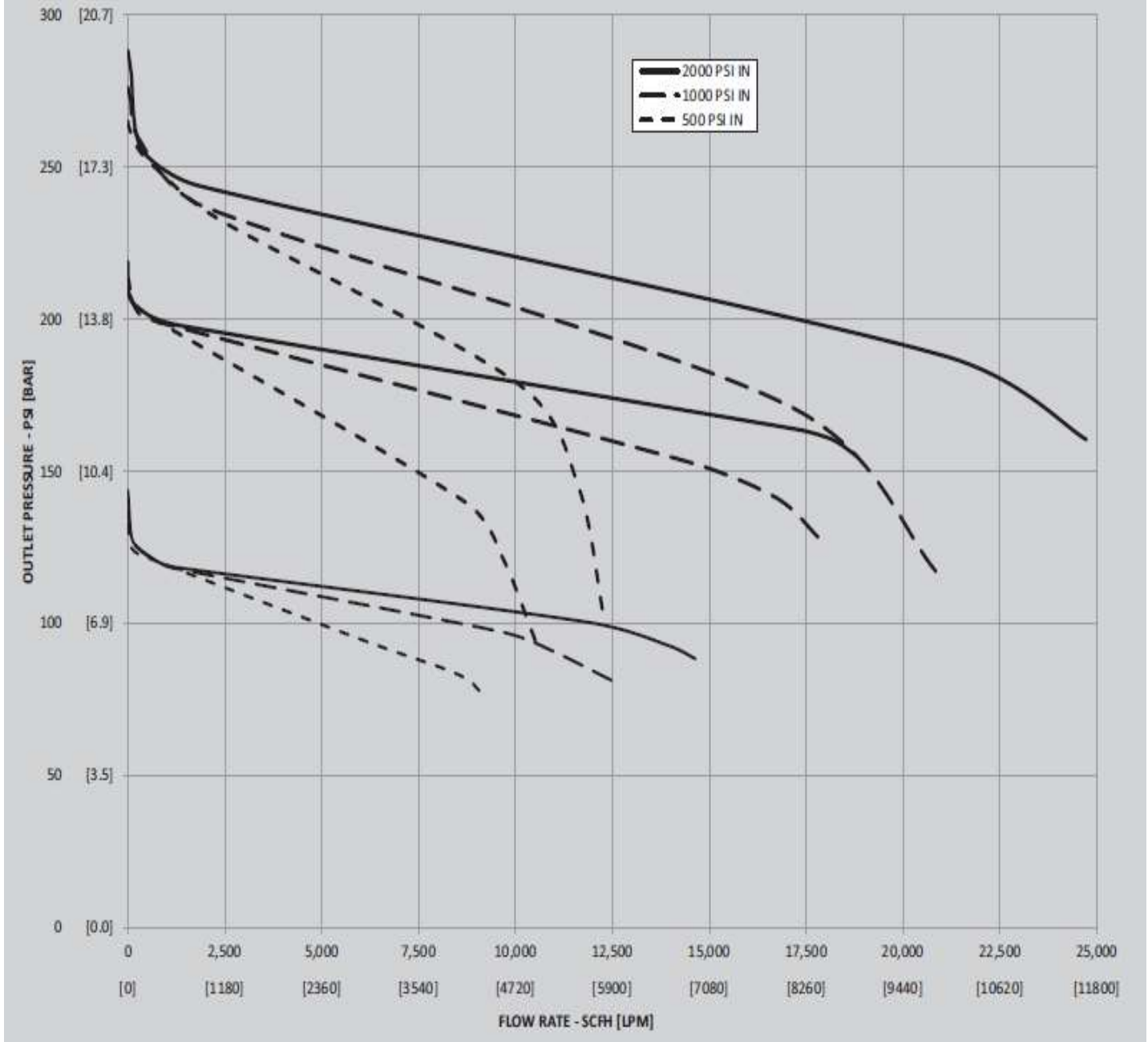
Related Options

Part Number	Option	Description
CON 835-0204	Panel mount kit	To mount the regulator from the rear

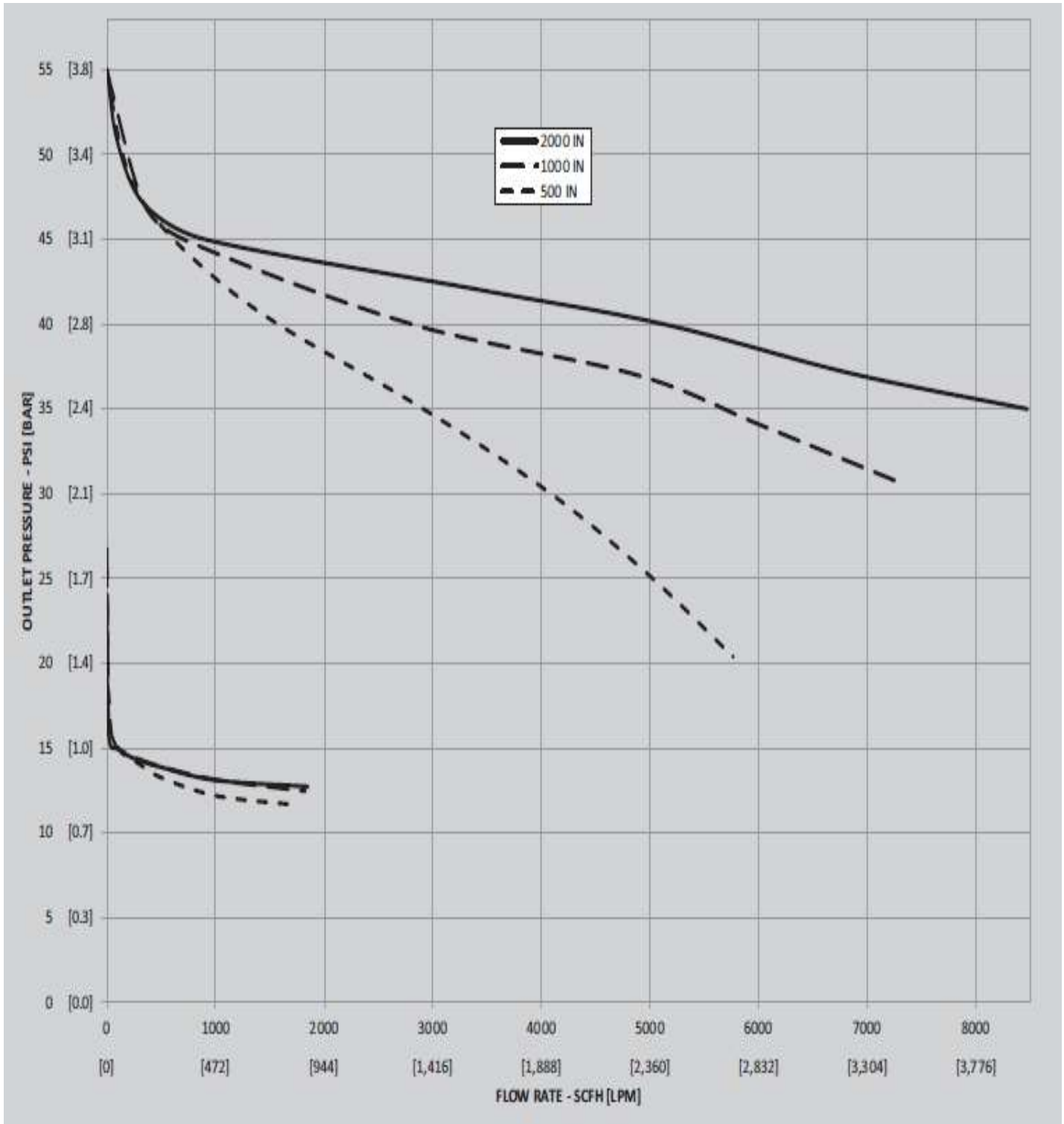
Installation Dimensions



484 Regulator Flow Curves



Installation Dimensions



Can't find what you need? We will be happy to assist you to find the right regulator to fit your needs.