



483 SINGLE STAGE BRASS LINE REGULATOR

The 483 Series regulator applications are wide and varied including high flow purging, non-corrosive process gas control, manifold and line regulation.

Highlighted Features

- Single Stage
- Ultra-High Flow
- Brass Barstock Body
- Four Port Configuration
- 316L Stainless Steel Diaphragm

Typical Applications

- ❖ Bulk gas distribution systems
- ❖ Gas and liquid chromatography
- ❖ High purity carrier gases
- ❖ Zero, span, and calibration gases
- ❖ High purity chamber pressurization
- ❖ Liquefied hydrocarbon control gas
- ❖ Control of cryogenic gases



Features	Materials	Specifications
<p>Metal-to-Metal Diaphragm Seal No possibility of gas contamination</p> <p>ISOFLOW Technology Internal equalization provides constant delivery pressure at high flows</p> <p>Brass Barstock Body Smooth Surface finish</p> <p>Rear Panel-Mountable Versatile system configuration</p> <p>Pressure Ranges 0-15 to 0-250 PSIG (0-1 to 0-17 BAR) Broad range of applications</p> <p>3000 PSIG (210 BAR) Inlet Pressure Rating Safe use with high pressure cylinders</p> <p>Pipe Away Relief Valve Safely vents exhaust gases</p>	<p>Body Brass barstock</p> <p>Bonnet Chrome-plated die-cast zinc</p> <p>Seat PCTFE</p> <p>Filter 40 micron 316L stainless steel mesh</p> <p>Diaphragm 316L stainless steel</p> <p>Internal Seals PTFE</p>	<p>Maximum Inlet Pressure 3000 PSIG (210 BAR)</p> <p>Temperature Range -40°F to 140°F (-40°C to 60°C)</p> <p>Gauge 2" (53mm) diameter brass</p> <p>Ports 1/2" FPT (inlet/outlet) 1/4" FPT (gauge/relief valve)</p> <p>Helium Leak Integrity 1 x 10⁻⁸ scc/sec</p> <p>Cv 0.1 <i>Flow curves on pages to follow</i></p> <p>Weight (483 3001-000) 4.79 lbs. (2.17 kg)</p>

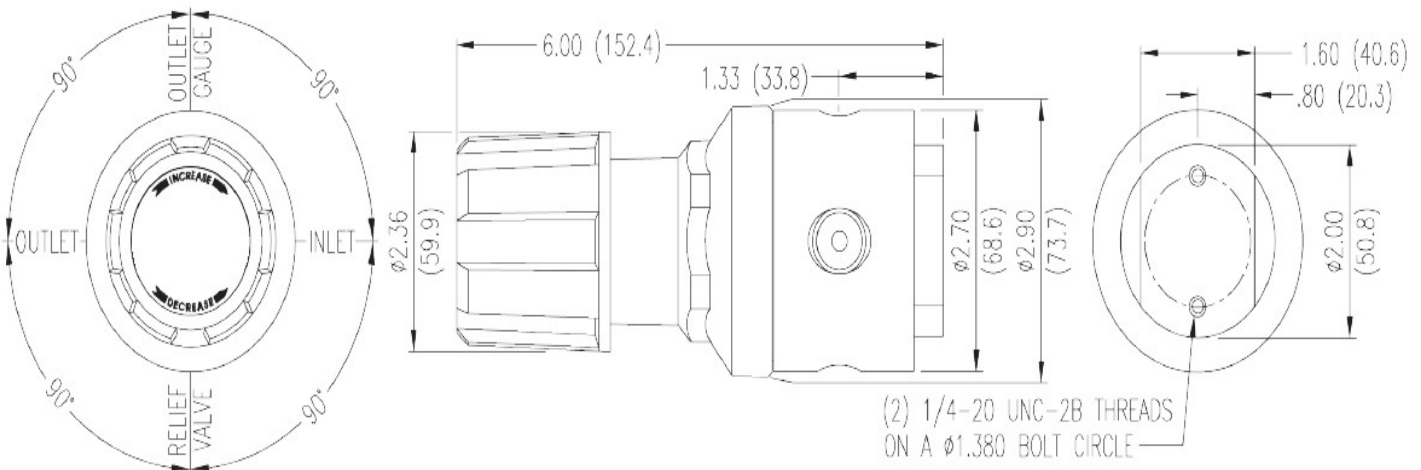
Order Information

Model	A	B	C	D	-CON	OPTIONS	
Series	Outlet Pressure	Outlet Gauge	Inlet Gauge	Outlet Assemblies	Assembly/Gauges	Inlet Connections	Installed Options
483	1: 0-15 PSIG (0-1 BAR)	30"-0-30 PSIG/ -1-0-2 BAR	0: None	0: 1/2" FPT port	0: Bare body	000: 1/2" FPT	None
	2: 0-40 PSIG (0-3 BAR)	30"-0-60 PSIG/ -1-0-4 BAR		1: 1/2" tube fitting	1: Cleanroom assembly (PSIG/kPa gauges)	TF8: 1/2" tube	
	3: 0-120 PSIG (0-8 BAR)	30"-0-200 PSIG/ -1-0-14 BAR		5: Needle valve 1/4" MPT	2: Cleanroom assembly (BAR/PSIG gauges)	M12: 12mm tube	
	4: 0-200 PSIG (0-14 BAR)	0-400 PSIG/ 0-27 BAR		P: 12mm tube fitting	6: Mirror image assembly (PSIG/kPa gauges)		
	5: 0-250 PSIG (0-17 BAR)	0-400 PSIG/ 0- 27 BAR			7: Mirror image assembly (BAR/PSIG gauges)		

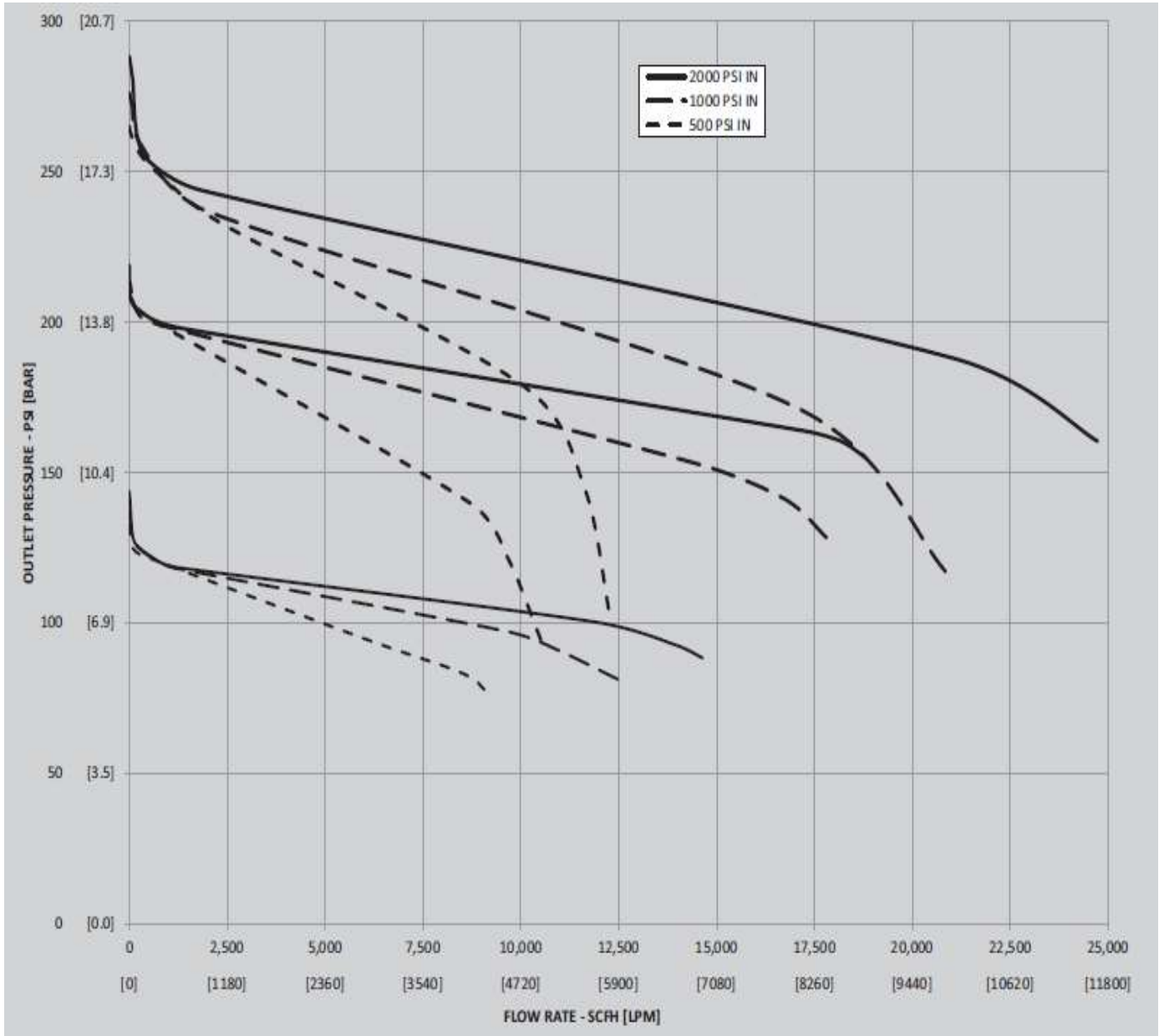
Related Options

Part Number	Option	Description
CON 835-0204	Panel mount kit	To mount the regulator from the rear

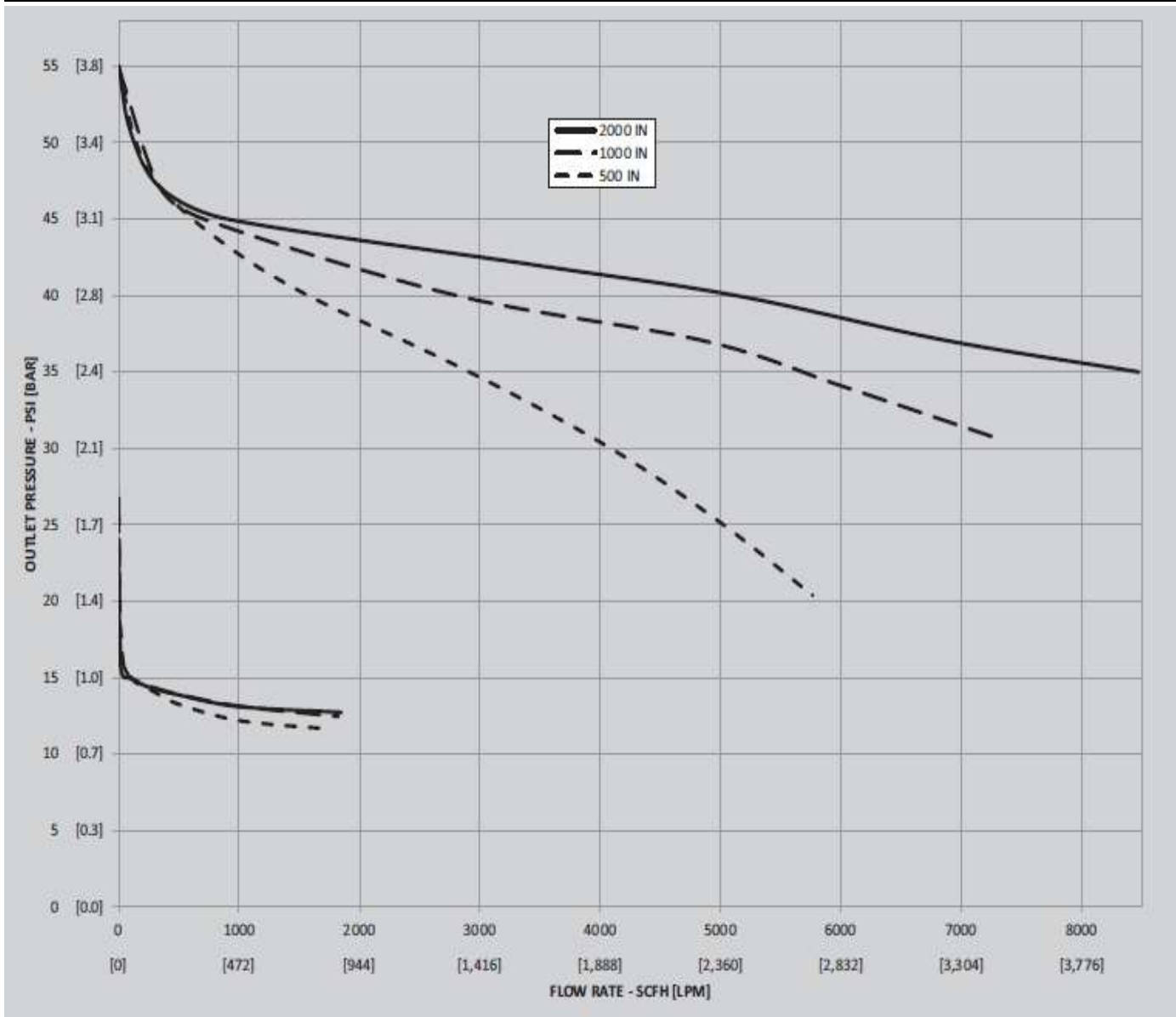
Installation Dimensions



483 Regulator Flow Curves



483 Regulator Flow Curves - continued



Can't find what you need? We will be happy to assist you to find the right regulator to fit your needs.