



428 SINGLE STAGE STAINLESS STEEL LINE REGULATOR

The 428 Series regulators are intended for secondary pressure control of the highest purity gases or as point of use pressure control in high purity gas distribution systems.

Highlighted Features

- Single Stage
- 316L Stainless Steel Barstock Body
- Three Port Configuration
- Face Seal Connections

Typical Applications

- ❖ Semiconductor process gases
- ❖ Photovoltaic manufacturing
- ❖ Ultra-high purity gases
- ❖ Pharmaceutical processing
- ❖ Aerospace systems
- ❖ Nanotechnology research



Features

Metal-to-Metal Diaphragm Seal

No possibility of gas contamination

CAPSULE® Seat

Increased serviceability and life

Butt-Welded Face Seal connections

Highest leak integrity available

316L Stainless Steel Barstock Body

Increased corrosion resistance

Front and Rear Panel-Mountable

Versatile system configuration

3000 PSIG (210 BAR) Inlet Pressure Rating

Safe use with high pressure cylinders

Pressure Ranges 0-15 to 0-500 PSIG (0-1 to 0-34 BAR)

Broad range of applications

Materials

Body

316L stainless steel barstock

Bonnet

Chrome-plated brass barstock

Seat

PTFE

Filter

Patented 10 micron 316 mesh

Diaphragm

316L stainless steel

Internal Seals

PTFE

Specifications

Maximum Inlet Pressure

3000 PSIG (210 BAR)

Temperature Range

-40°F to 140°F (-40°C to 60°C)

Gauge

2" (53mm) diameter stainless steel

Ports

1/4" face seal connection

Helium Leak Integrity

1 x 10⁻⁹ scc/sec

Cv

0.1

Flow curves on pages to follow

Weight (428 3302-001)

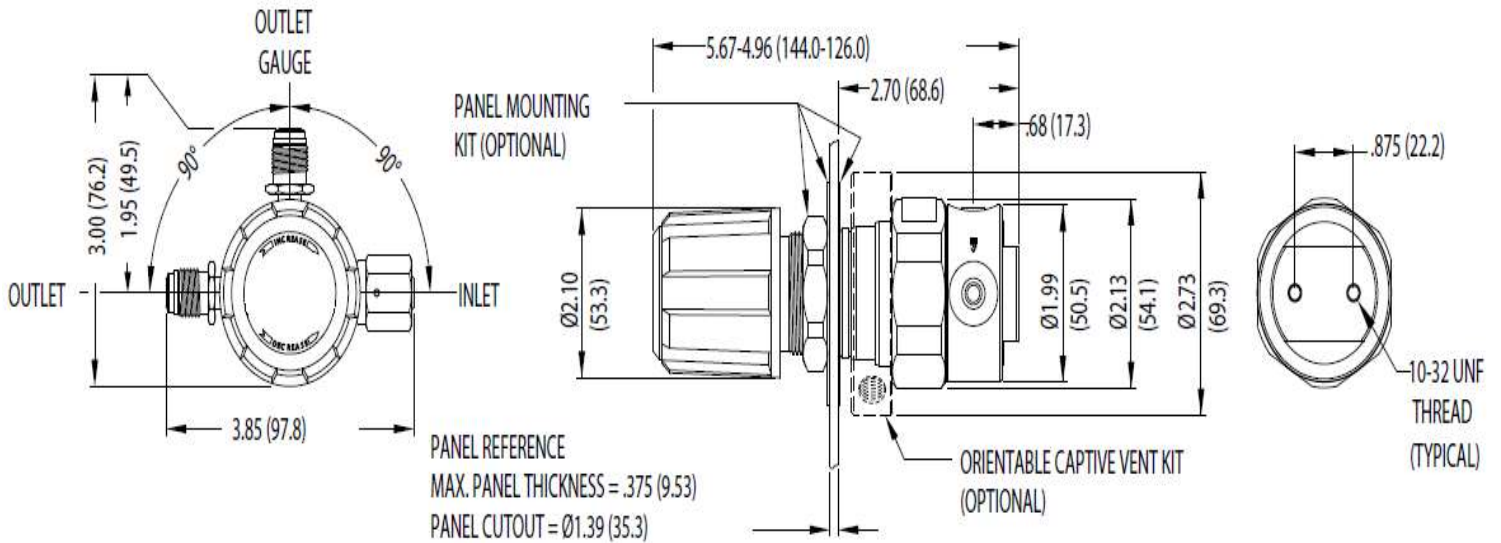
2.46 lbs. (1.12 kg)

| Model | A | B | C | D |
|--------|--------------------------|-------------------------------|-------------|--------------------------------------|
| Series | Outlet Pressure | Outlet Gauge | Inlet Gauge | Connections – inlet/outlet |
| 428 | 1: 0-15 PSIG (0-1 BAR) | 0: None | 0: None | 1: Female face seal/male face seal |
| | 2: 0-30 PSIG (0-2 BAR) | 1: 30"-0-30 PSIG/-1-0-2 BAR | | 2: Male face seal/male face seal |
| | 3: 0-50 PSIG (0-3.5 BAR) | 2: 30"-0-60 PSIG/-1-0-4 BAR | | 3: Male face seal/female face seal |
| | 4: 0-100 PSIG (0-7 BAR) | 3: 30"-0-100 PSIG/-1-0-7 BAR | | 4: Female face seal/female face seal |
| | 5: 0-250 PSIG (0-17 BAR) | 4: 30"-0-200 PSIG/-1-0-14 BAR | | |
| | 6: 0-500 PSIG (0-34 BAR) | 5: 0-400 PSIG/0-27 BAR | | |
| | 7: 0-150 PSIG (0-10 BAR) | 6: 0-1000 PSIG/0-70 BAR | | |

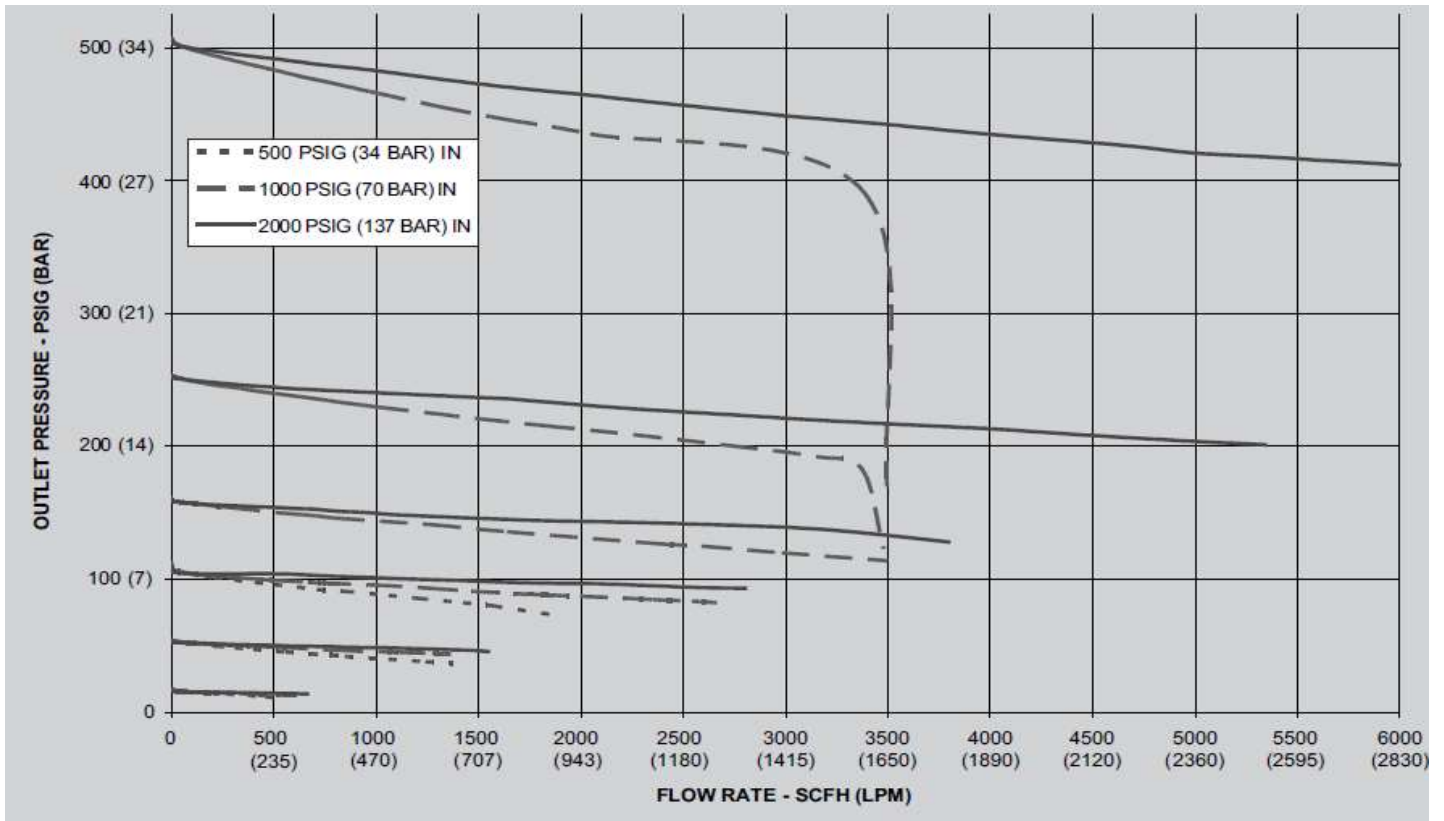
Related Options

| Part Number | Option | Description |
|--------------|---------------------------|--|
| CON 550-0002 | Panel mount kit | To mount the regulator using bonnet threads. Material: Nickel-plated brass |
| CON 550-0001 | Captured vent kit | 360° Orientation, pipes vented gases to safe location in the event of diaphragm failure. Material: Nickel-plated brass |
| CON 476-0002 | Helium leak certification | Inboard Helium Leak certification to less than 1 x 10 ⁻⁹ cc/sec |

Installation Dimensions



428 Regulator Flow Curves



Can't find what you need? We will be happy to assist you to find the right regulator to fit your needs.