



427 SINGLE STAGE STAINLESS STEEL LINE REGULATOR

The 427 Series regulators are intended for secondary pressure control of the highest purity gases or as point of use pressure control in high purity gas distribution systems.

Highlighted Features

- Single Stage
- 316L Stainless Steel Barstock Body
- Two Port Configuration
- Face Seal Connections

Typical Applications

- ❖ Semiconductor process gases
- ❖ Photovoltaic manufacturing
- ❖ Ultra-high purity gases
- ❖ Pharmaceutical processing
- ❖ Aerospace systems
- ❖ Nanotechnology research



Features	Materials	Specifications
<p>Metal-to-Metal Diaphragm Seal No possibility of gas contamination</p> <p>CAPSULE® Seat Increased serviceability and life</p> <p>Butt-Welded Face Seal connections Highest leak integrity available</p> <p>316L Stainless Steel Barstock Body Increased corrosion resistance</p> <p>Front and Rear Panel-Mountable Versatile system configuration</p> <p>3000 PSIG (210 BAR) Inlet Pressure Rating Safe use with high pressure cylinders</p> <p>Pressure Ranges 0-15 to 0-500 PSIG (0-1 to 0-34 BAR) Broad range of applications</p>	<p>Body 316L stainless steel barstock</p> <p>Bonnet Chrome-plated brass barstock</p> <p>Seat PTFE</p> <p>Filter Patented 10 micron 316 mesh</p> <p>Diaphragm 316L stainless steel</p> <p>Internal Seals PTFE</p>	<p>Maximum Inlet Pressure 3000 PSIG (210 BAR)</p> <p>Temperature Range -40°F to 140°F (-40°C to 60°C)</p> <p>Ports 1/4" face seal connection</p> <p>Helium Leak Integrity 1 x 10⁻⁹ scc/sec</p> <p>Cv 0.1 <i>Flow curves on pages to follow</i></p> <p>Weight (427 4004-001) 2.24 lbs. (1.02 kg)</p>

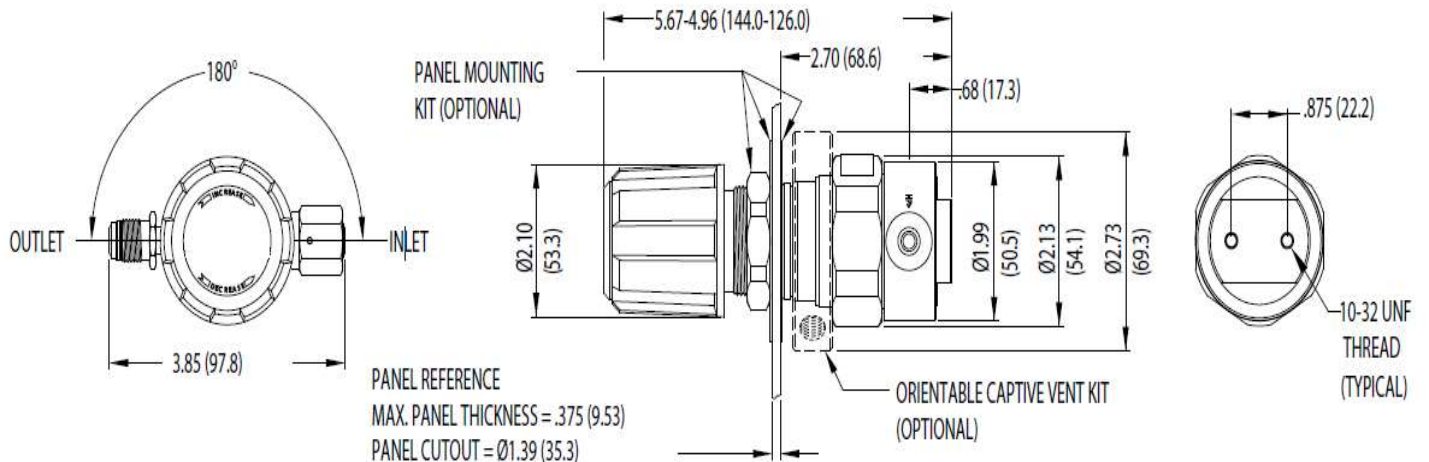
Order Information

Model	A	B	C	D
Series	Outlet Pressure	Outlet Gauge	Inlet Gauge	Connections – inlet/outlet
427	1: 0-15 PSIG (0-1 BAR)	0: None	0: None	1: Female face seal/male face seal
	2: 0-30 PSIG (0-2 BAR)			2: Male face seal/male face seal
	3: 0-50 PSIG (0-3.5 BAR)			3: Male face seal/female face seal
	4: 0-100 PSIG (0-7 BAR)			4: Female face seal/female face seal
	5: 0-250 PSIG (0-17 BAR)			
	6: 0-500 PSIG (0-34 BAR)			
	7: 0-150 PSIG (0-10 BAR)			

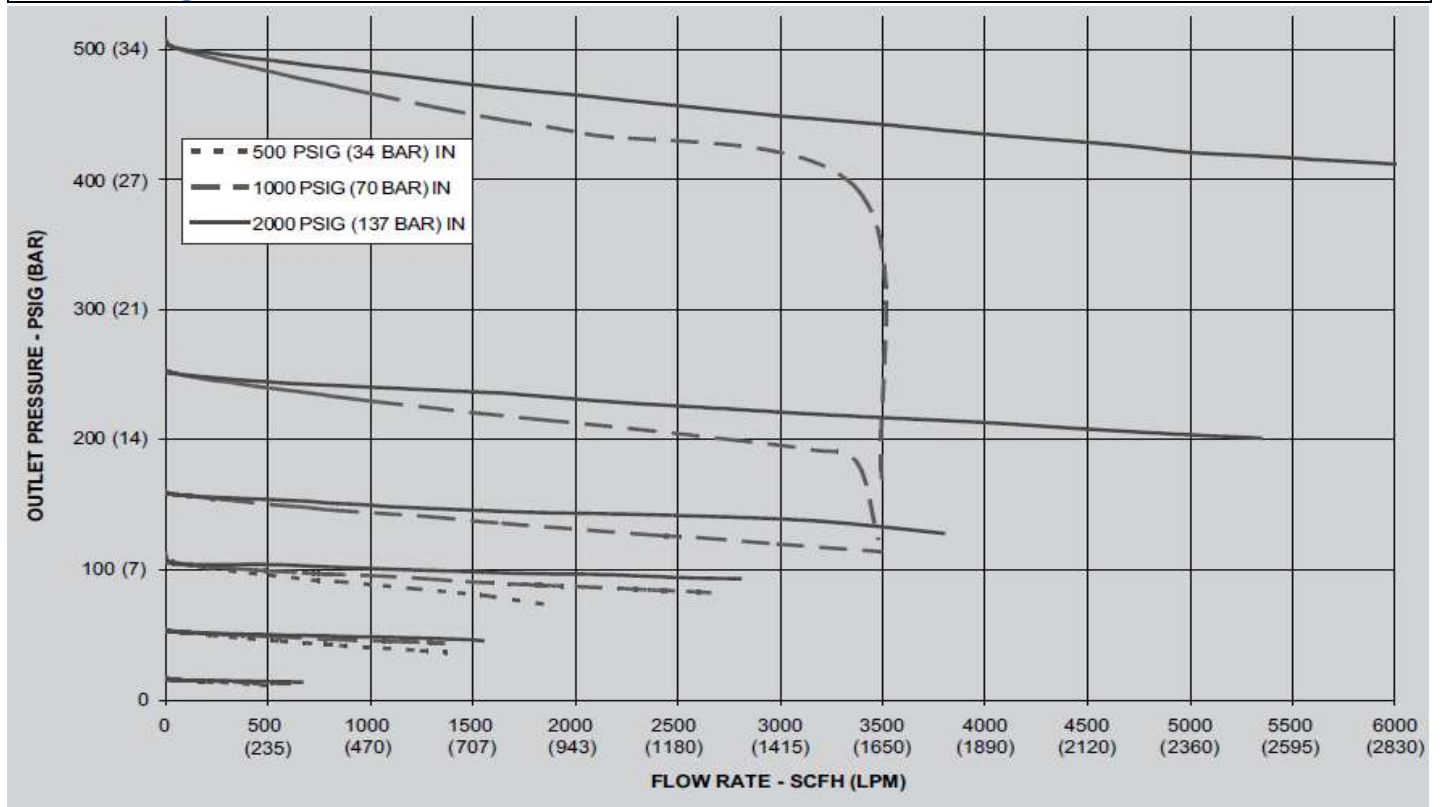
Related Options

Part Number	Option	Description
CON 550-0002	Panel mount kit	To mount the regulator using bonnet threads. Material: Nickel-plated brass
CON 550-0001	Captured vent kit	360° Orientation, pipes vented gases to safe location in the event of diaphragm failure. Material: Nickel-plated brass
CON 476-0002	Helium leak certification	Inboard Helium Leak certification to less than 1 x 10 ⁻⁹ cc/sec

Installation Dimensions



427 Regulator Flow Curves



Can't find what you need? We will be happy to assist you to find the right regulator to fit your needs.