



414 DUAL STAGE BRASS REGULATOR

The 414 Series regulators are intended for primary pressure control of non-corrosive, high purity or liquefied gases for applications requiring constant pressure control and delivery regardless of supply pressure variations.

Highlighted Features

- Dual Stage
- Brass Barstock Body
- Five Port Configuration
- 316L Stainless Steel Diaphragm

Typical Applications

- ❖ EPA Protocol gases
- ❖ Gas and liquid chromatography
- ❖ High purity carrier gases
- ❖ Zero, span, and calibration gases
- ❖ High purity chamber pressurization



Features	Materials	Specifications
<p>Metal-to-Metal Diaphragm Seal No possibility of gas contamination</p> <p>CAPSULE® Seat Increased serviceability and life</p> <p>Brass Barstock Body Smooth surface finish</p> <p>Front Panel-Mountable Easy installation</p> <p>10 Micron Filtration in Both Stages Fail-safe seat performance</p> <p>Pressure Ranges 0-15 to 0-350 PSIG (0-1 to 0-24 BAR) Broad range of applications</p> <p>Pipe Away Relief Valve Safety vents exhaust gases</p>	<p>Body Brass barstock</p> <p>Bonnet Brass barstock</p> <p>Seat PTFE PCTFE with 3500 PSIG (240 BAR) or 4500 PSIG (310 BAR) inlet option</p> <p>Filter 10 micron sintered bronze</p> <p>Diaphragm 316L stainless steel</p> <p>Internal Seals PTFE</p>	<p>Maximum Inlet Pressure 3000 PSIG (210 BAR) 3500 PSIG (240 BAR) optional 4500 PSIG (310 BAR) optional</p> <p>Temperature R -40°F to 140°F (-40°C to 60°C)</p> <p>Gauge 2" (53mm) diameter chrome-plated</p> <p>Ports 1/4" FPT</p> <p>Helium Leak Integrity 1 x 10-9 scc/sec</p> <p>Cv 0.1 <i>Flow curves on pages to follow</i></p> <p>Weight (414 2331-580) 5.3 lbs. (2.40 kg)</p>

Order Information

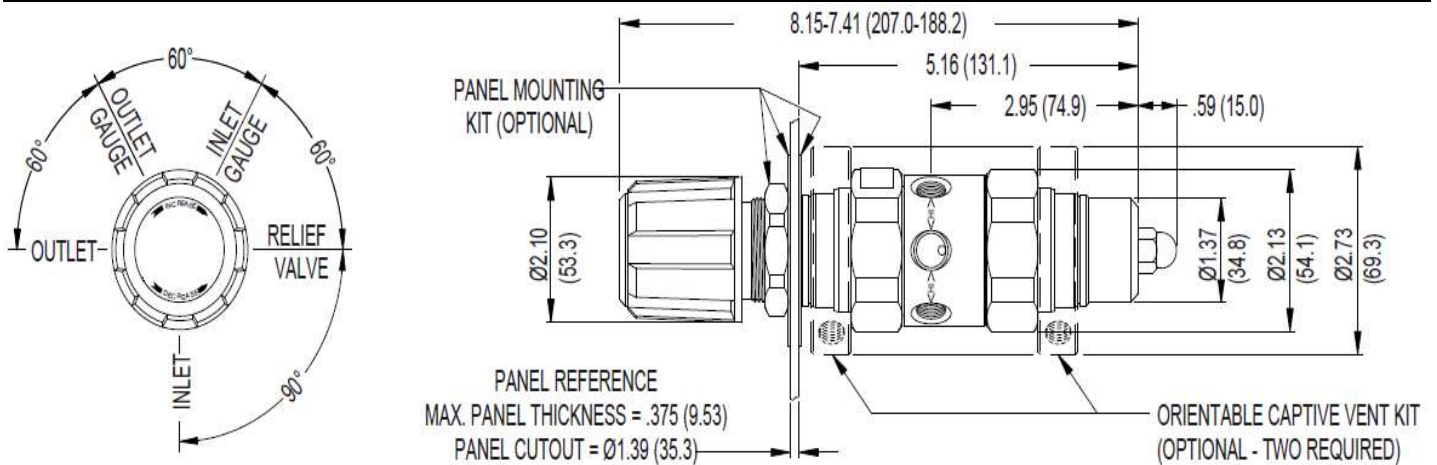
Model	A	B	C	D	-CON	
Series	Outlet Pressure	Outlet Gauge	Inlet Gauge	Outlet Assemblies	Gauges	Inlet Connections
414	1: 0-15 PSIG (0-1 BAR)	30"-0-30 PSIG/ -1-0-2 BAR	0: None	0: 1/4" FPT port	0: Bare body	000: 1/4" FPT
	2: 0-50 PSIG (0-3.5 BAR)	30"-0-100 PSIG/ -1-0-7 BAR	3: 0-4000 PSIG/ 0-275 BAR	1: 1/4" MPT 2: 1/4" tube fitting	1: Cleanroom assembly (PSIG/kPa gauges)	TF2: 1/8" tube
	3: 0-100 PSIG (0-7 BAR)	30"-0-200 PSIG/ -1-0-14 BAR	5: 0-1000 PSIG/ 0-70 BAR	3: Diaphragm valve 1/4" tube fitting 4: Diaphragm valve 1/4" MPT	2: Cleanroom assembly (BAR/PSIG gauges)	TF4: 1/4" tube
	4: 0-250 PSIG (0-17 BAR)	0-400 PSIG/ 0-27 BAR	6: 0-300 PSIG/ 0-21 BAR	5: Needle valve 1/4" MPT 6: 1/8" tube fitting		TF6: 3/8" tube
	7: 0-150 PSIG (0-10 BAR)	30"-0-200 PSIG/ -1-0-14 BAR	7: 0-400 PSIG/ 0-27 BAR	7: 3/8" tube fitting 8: Diaphragm valve 1/8" tube fitting		M06: 6mm
	E: 0-350 PSIG (0-24 BAR)	0-400 PSIG/ 0-27 BAR	8: 0-6000 PSIG/ 0-415 BAR ¹	9: Diaphragm valve 1/4" FPT A: 3/8" BSP RH fitting B: Diaphragm valve 3/8" fitting		CGA DIN 477 BS 341 and others available
			G: 0-4000 PSIG/ 0-275 BAR ²	C: 3/8" SP LH fitting D: 6mm brass hose barb (not available if A=4 or 5) G: 1/8" stainless steel tube fitting H: 1/4" stainless steel tube fitting M: 6mm tube fitting S: Diaphragm valve 6mm tube fitting		

Notes: ¹ Maximum inlet pressure 4500 PSIG (310 BAR) with PCTFE seat CAPSULE®
² Maximum inlet pressure 3500 PSIG (240 BAR) with PCTFE seat CAPSULE®

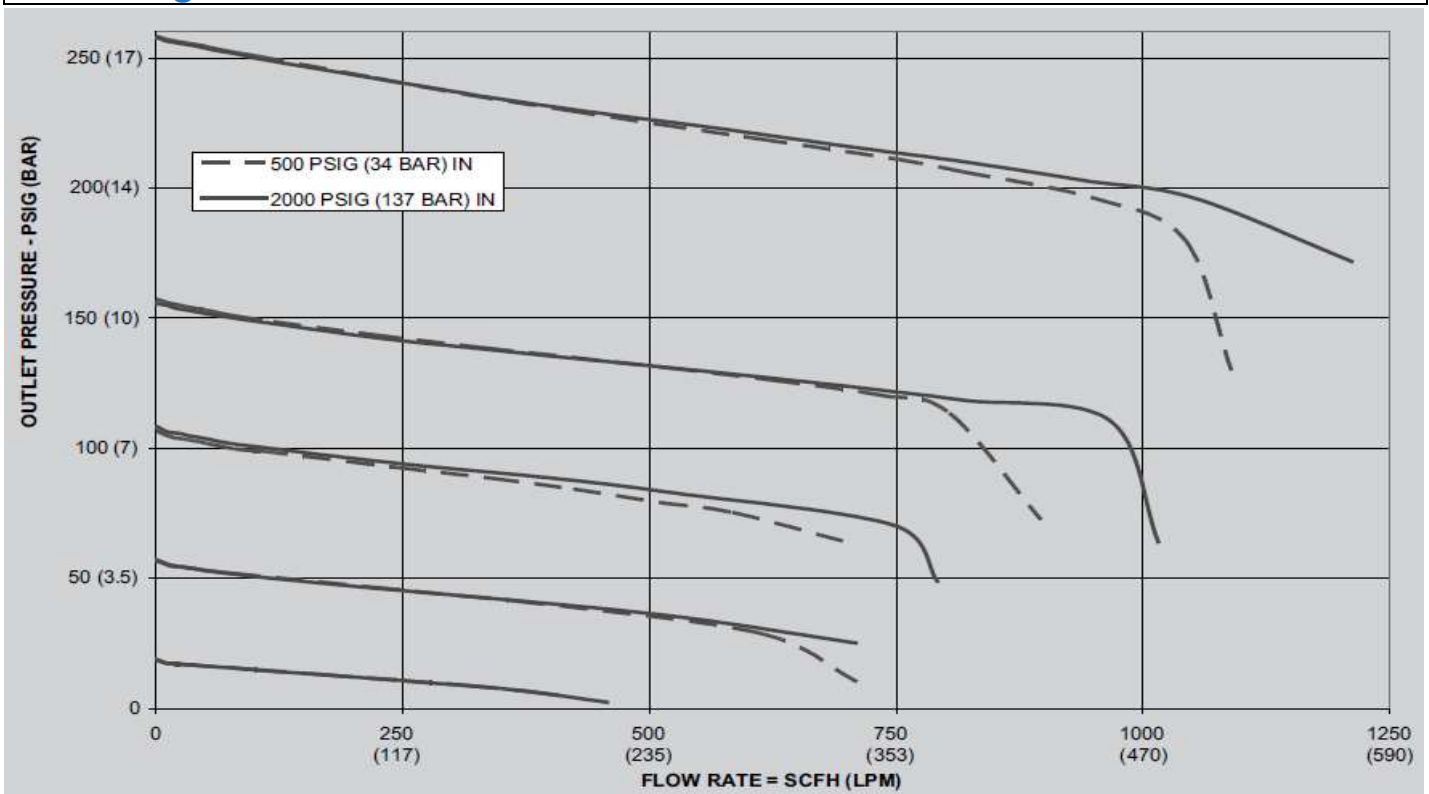
Related Options

Part Number	Description
CON 550-0002	Panel mount kit
CON 550-0001	Captured vent kit
CON 476-0002	Helium leak certificate

Installation Dimensions



414 Regulator Flow Curves



Can't find what you need? We will be happy to assist you to find the right regulator to fit your needs.