



403 SINGLE STAGE CHROME BRASS LINE REGULATOR

The 403 Series regulators are intended for secondary pressure control of non-corrosive, high purity or liquefied gases or as point of use pressure control in high purity gas distribution systems.

Highlighted Features

- Single Stage
- Chrome-plated Brass Barstock Body
- Four Port Configuration
- 316L Stainless Steel Diaphragm

Typical Applications

- ❖ Bulk gas distribution systems
- ❖ Gas and liquid chromatography
- ❖ High purity carrier gases
- ❖ Zero, span, and calibration gases
- ❖ High purity chamber pressurization
- ❖ Liquefied hydrocarbon gas control
- ❖ Control of cryogenic gases



Features	Materials	Specifications
<p>Metal-to-Metal Diaphragm Seal No possibility of gas contamination</p> <p>CAPSULE® Seat Increased serviceability and life</p> <p>Chrome-plated Brass Barstock Body Smooth surface finish</p> <p>Front and Rear Panel-Mountable Versatile system configuration</p> <p>Pressure Ranges 0-15 to 0-500 PSIG (0-1 to 0-34 BAR) Broad range of applications</p> <p>3000 PSIG (210 BAR) Inlet Pressure Rating Safe use with high pressure cylinders</p> <p>Pipe Away Relief Valve Safety vents exhaust gases</p>	<p>Body Chrome-plated brass barstock</p> <p>Bonnet Chrome-plated brass barstock</p> <p>Seat PTFE</p> <p>Filter 10 micron sintered bronze</p> <p>Diaphragm 316L stainless steel</p> <p>Internal Seals PTFE</p>	<p>Maximum Inlet Pressure 3000 PSIG (210 BAR)</p> <p>Temperature R -40°F to 140°F (-40°C to 60°C)</p> <p>Gauge 2" (53mm) diameter chrome-plated</p> <p>Ports 1/4" FPT</p> <p>Helium Leak Integrity 1 x 10⁻⁹ scc/sec</p> <p>Cv 0.1 Max outlet 50 PSIG (3.5 BAR) or below 0.2 Max outlet above 50 PSIG (3.5 BAR) <i>Flow curves on pages to follow*</i></p> <p>Weight (403 2021-000) 2.71 lbs. (1.23 kg)</p>

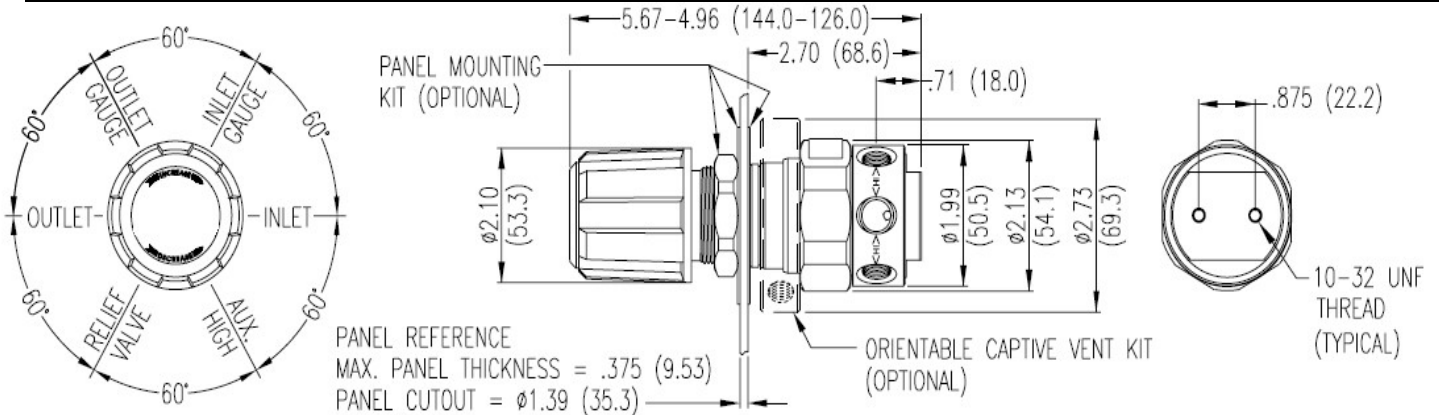
Order Information

Model	A	B	C	D	-CON		
Series	Outlet Pressure	Outlet Gauge	Inlet Gauge	Outlet Assemblies	Gauges	Inlet Connections	Installed Options
403	1: 0-15 PSIG (0-1 BAR)*	30"-0-30 PSIG/ -1-0-2 BAR	0: None	0: 1/4" FPT port	0: Bare body	000: 1/4" FPT	D: Deep purge*
	2: 0-50 PSIG (0-3.5 BAR)	30"-0-100 PSIG/ -1-0-7 BAR		1: 1/4" MPT	1: Cleanroom assembly (PSIG/kPa gauges)	TF2: 1/8" tube	M: Protocol station Q: Protocol purge station
	3: 0-100 PSIG (0-7 BAR)	30"-0-200 PSIG/ -1-0-14 BAR		2: 1/4" tube fitting	2: Cleanroom assembly (BAR/PSIG gauges)	TF4: 1/4" tube	
	4: 0-250 PSIG (0-17 BAR)	0-400 PSIG/ 0-27 BAR		3: Diaphragm valve 1/4" tube fitting	6: Mirror image (PSIG/kPa gauges)	TF6: 3/8" tube	
	5: 0-500 PSIG (0-34 BAR)**	0-1000 PSIG/ 0-70 BAR		4: Diaphragm valve 1/4" MPT	7: Mirror image (BAR/PSIG gauges)	M06: 6mm	
	7: 0-150 PSIG (0-10 BAR)	30"-0-200 PSIG/ -1-0-14 BAR		5: Needle valve 1/4" MPT		CGA DIN 477 BS 341 and others available	
				6: 1/8" tube fitting			
	<i>**Standard assembly does not include relief valve</i>			7: 3/8" tube fitting			
				8: Diaphragm valve 1/8" tube fitting			
				9: Diaphragm valve 1/4" FPT			
				A: 3/8" BSP RH fitting			
				B: Diaphragm valve 3/8" fitting			
				C: 3/8" SP LH fitting			
				D: 6mm brass hose barb (not available if A=4 or 5)			
				G: 1/8" stainless steel tube fitting			
				H: 1/4" stainless steel tube fitting			
				M: 6mm tube fitting			
				S: Diaphragm valve 6mm tube fitting			

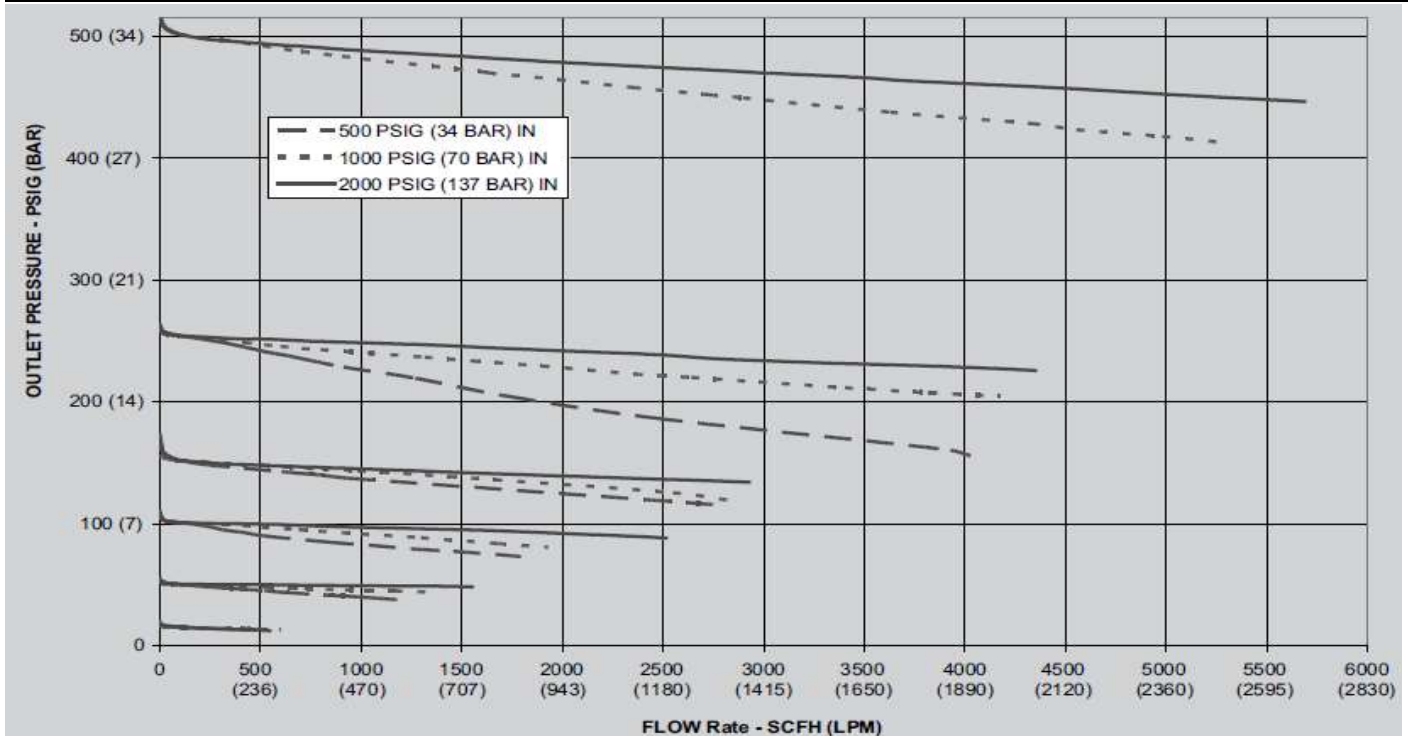
Related Options

Part Number	Description
CON 550-0002	Panel mount kit
CON 550-0001	Captured vent kit
CON 476-0002	Helium leak certification

Installation Dimensions



403 Regulator Flow Curves



Can't find what you need? We will be happy to assist you to find the right regulator to fit your needs.