



325 SINGLE STAGE CHROME PLATED BRASS LECTURE BOTTLE REGULATOR

Highlighted Features

The 325 Series regulators are specifically designed for use with non-corrosive gases in lecture bottles. The incorporation of our smallest CAPSULE® allows excellent pressure regulation over the useful pressure range of a lecture bottle.

Typical Applications

- ❖ University classrooms
- ❖ University laboratories
- ❖ Chemical research
- ❖ Pharmaceutical manufacturing



Features	Materials	Specifications
<p>CAPSULE® Seat Increased serviceability and life</p> <p>316L Stainless Steel Diaphragm No inboard diffusion</p> <p>Low Wetted Surface Area Minimal purge requirements</p> <p>Field-Adjustable Pressure Limit Safeguard downstream equipment</p> <p>Convuluted Diaphragm Smooth pressure changes</p> <p>Compact Design Easily transported and integrated into systems</p> <p>Chrome-Plated Brass Barstock Body Smooth surface finish</p> <p>Low Droop Stable outlet pressure</p> <p>1 1/2" (38mm) Pressure Gauges Small envelope</p>	<p>Body Chrome-plated brass barstock</p> <p>Bonnet Chrome-plated die-cast zinc</p> <p>Seat PTFE</p> <p>Filter 10 micron sintered bronze</p> <p>Diaphragm 316L stainless steel</p> <p>Internal Seals</p>	<p>Maximum Inlet Pressure 3000 PSIG (210 BAR)</p> <p>Temperature Range -40°F to 140°F (-40°C to 60°C)</p> <p>Gauges 1 1/2" (38mm) diameter chrome-plated brass case</p> <p>Ports 1/8" FPT (1/4" FPT relief valve)</p> <p>Helium Leak Integrity 1 x 10⁻⁸ scc/sec</p> <p>Cv 0.02 <i>Flow curves on pages to follow</i></p> <p>Weight (325 3351-170) 2.0 lbs. (0.89 kg)</p>

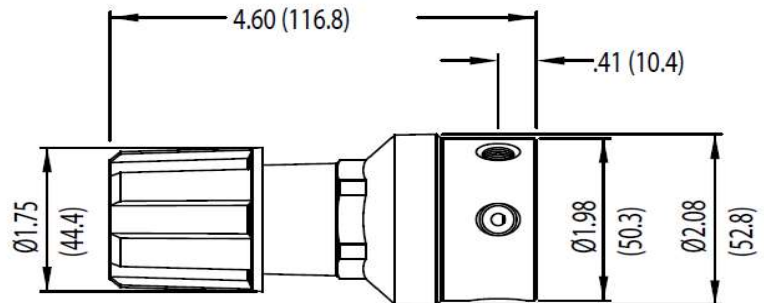
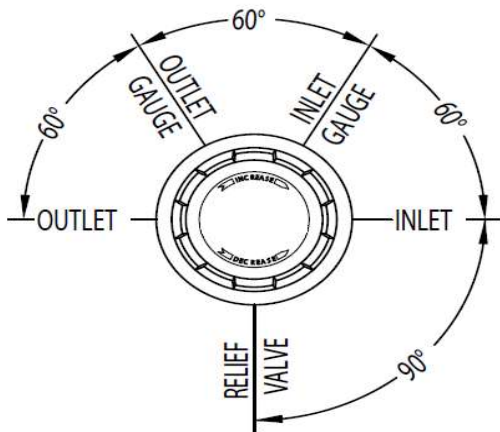
Order Information

Model	A		B	C	D	-CON
Series	Outlet Pressure	Outlet Gauge	Inlet Gauge	Outlet Assemblies	Gauges	Inlet Connections
325	1: 0-15 PSIG (0-1 BAR)	0-30 PSIG/ 0-2 BAR	0: None	0: 1/4" FPT port	0: Bare body	-000: 1/8" FPT
	3: 0-50 PSIG (0-3.5 BAR)	0-100 PSIG/ 0-7 BAR	3: 0-4000 PSIG/ 0-275 BAR	1: 1/4" MPT	1: Standard assembly (PSIG/kPa gauges)	-100: CGA 100
				5: Needle valve 1/4" MPT		-170: CGA 170
						-180: CGA 180

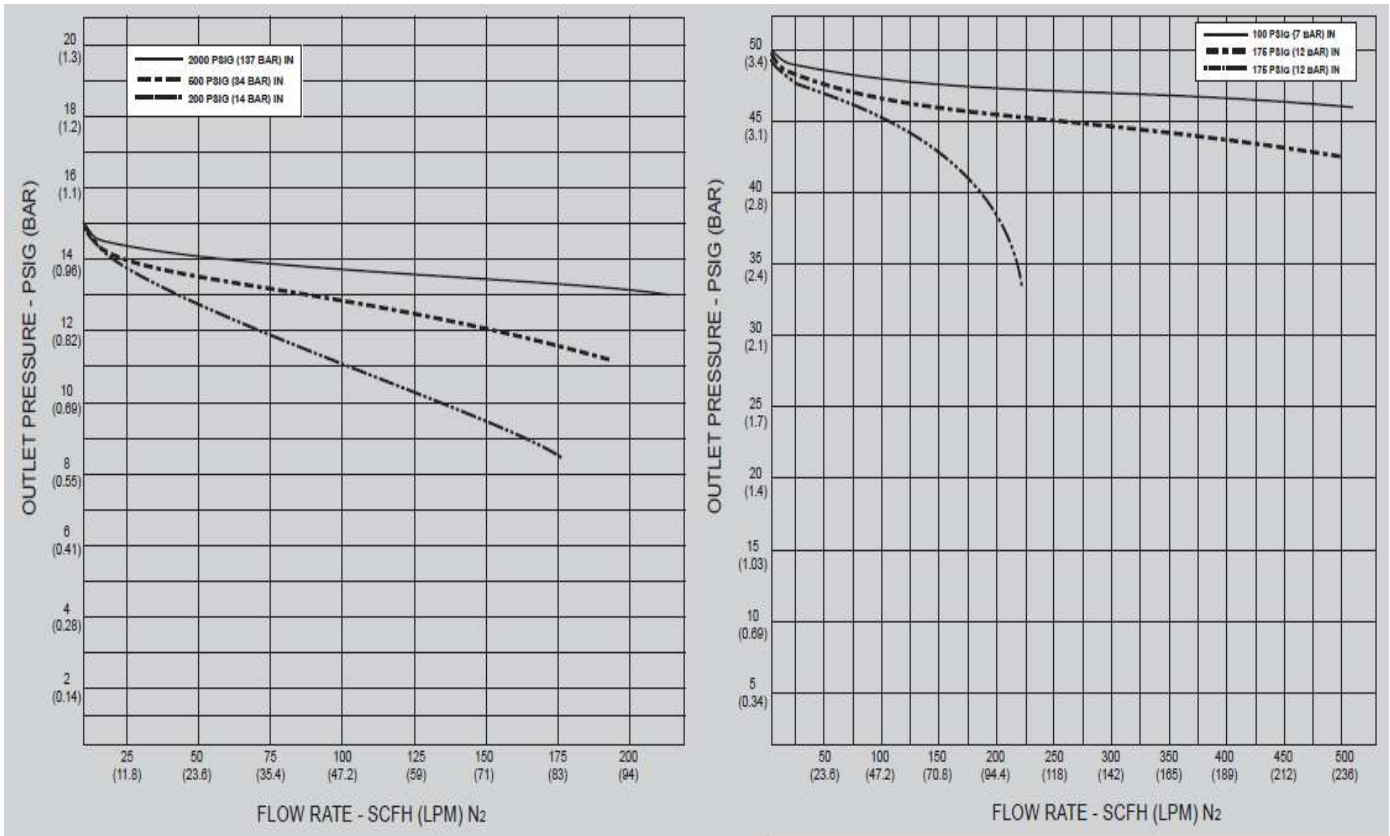
Related Options

Part Number	Description
CON 835-0204	Rear panel mount kit

Installation Dimensions



325 Regulator Flow Curves



Can't find what you need? We will be happy to assist you to find the right regulator to fit your needs.