



324 SINGLE STAGE STAINLESS STEEL LINE REGULATOR

The 324 Series regulators are intended for secondary pressure control of ultra-high purity and corrosive gases or as point of use pressure control in ultra-high purity gas distribution systems.

Highlighted Features

- Single Stage
- 316L Stainless Steel Barstock Body
- Three Port Configuration
- 316L Stainless Steel Diaphragm

Typical Applications

- ❖ Bulk gas distribution systems
- ❖ Gas and liquid chromatography
- ❖ Ultra-high purity carrier gases
- ❖ Zero, span, and calibration gases
- ❖ Liquefied hydrocarbon gas control
- ❖ Control of cryogenic gases



Features	Materials	Specifications
<p>CAPSULE® Seat Increased serviceability and life</p> <p>316L Stainless Steel Diaphragm No inboard diffusion</p> <p>Low Wetted Surface Area Minimal purge requirements</p> <p>Field-Adjustable Pressure Limit Safeguard downstream equipment</p> <p>Convuluted Diaphragm Smooth pressure changes</p> <p>Compact Design Easily transported and integrated into systems</p> <p>316L Stainless Steel Barsock Body Increased corrosion resistance</p> <p>Rear Panel-Mountable Easy installation</p> <p>Pressure Ranges 0-15 to 0-500 PSIG (0-1 to 0-34 BAR) Broad range of applications</p> <p>3000 PSIG (210 BAR) Inlet Pressure Rating Safe use with high pressure cylinders</p>	<p>Body 316L stainless steel barstock</p> <p>Bonnet Chrome-plated die-cast zinc</p> <p>Seat PTFE</p> <p>Filter Patented 10 micron 316 mesh</p> <p>Diaphragm 316L stainless steel</p> <p>Internal Seals PTFE</p>	<p>Temperature Range -40°F to 140°F (-40°C to 60°C)</p> <p>Gauge 2" (53mm) diameter Chrome-plated case Stainless steel internals</p> <p>Ports 1/4" FPT</p> <p>Helium Leak Integrity 1 x 10⁻⁸ scc/sec</p> <p>Cv 0.1 <i>Flow curves on pages to follow*</i></p> <p>Weight (324 2021-000) 2.4 lbs. (1.09 kg)</p>

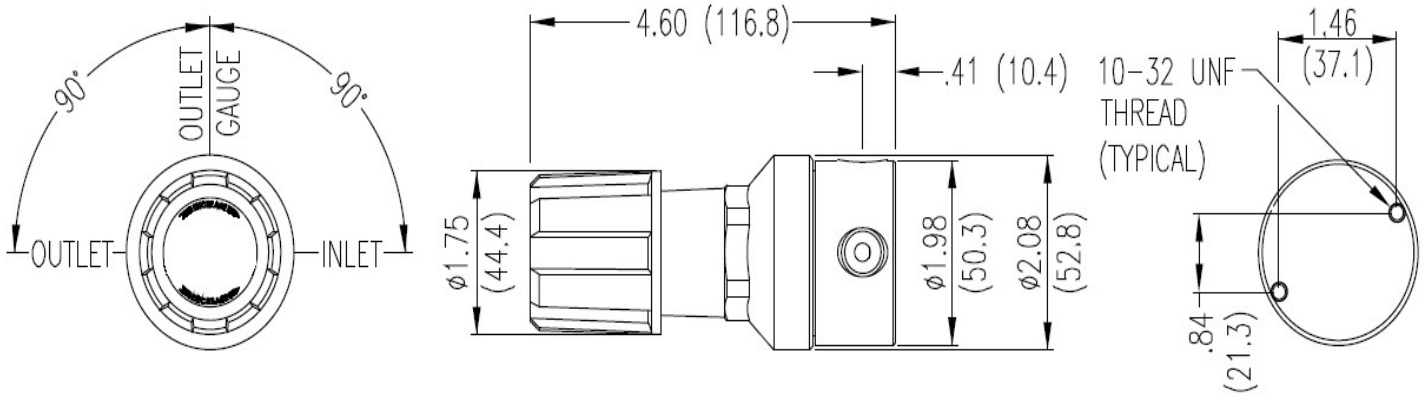
Order Information

Model	A		B	C	D	-CON	Options
Series	Outlet Pressure	Outlet Gauge	Inlet Gauge	Outlet Assemblies	Gauges	Inlet Connections	Installed Options
324	1: 0-15 PSIG (0-1 BAR)	30"-0-30 PSIG/ -1-0-2 BAR	0: None	0: 1/4" FPT port	0: Bare body	000: 1/4" FPT	M: Protocol station
	2: 0-50 PSIG (0-3.5 BAR)	30"-0-100 PSIG/ -1-0-7 BAR		1: 1/4" MPT 2: 1/4" tube fitting	1: Standard assembly (PSIG/kPa gauges)	TF2: 1/8" tube	Q: Protocol purge station
	3: 0-100 PSIG (0-7 BAR)	30"-0-200 PSIG/ -1-0-14 BAR		3: Diaphragm valve 1/4" tube fitting 4: Diaphragm valve 1/4" MPT	2: Standard assembly (BAR/PSIG gauges)	TF4: 1/4" tube	
	4: 0-250 PSIG (0-17 BAR)	0-400 PSIG/ 0-27 BAR		5: Needle valve 1/4" MPT 6: 1/8" tube fitting		TF6: 3/8" tube	
	5: 0-500 PSIG (0-34 BAR)	0-1000 PSIG/ 0-70 BAR		7: 3/8" tube fitting 8: Diaphragm valve 1/8" tube fitting		M06: 6mm tube	
	7: 0-150 PSIG (0-10 BAR)	30"-0-200 PSIG/ -1-0-14 BAR		9: Diaphragm valve 1/4" FPT M: 6mm tube fitting S: Diaphragm valve 6mm tube fitting			

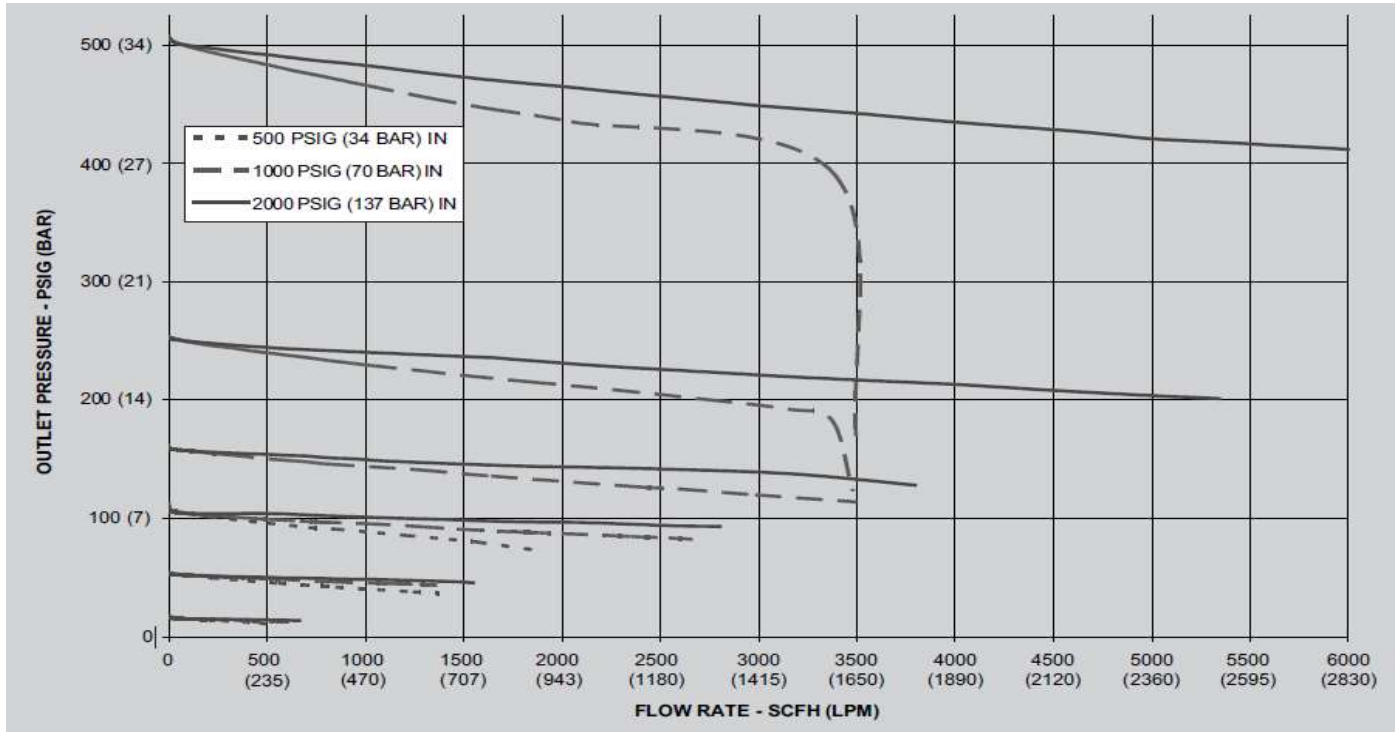
Related Options

Part Number	Description
CON 835-0204	Rear panel mount kit

Installation Dimensions



324 Regulator Flow Curves



Can't find what you need? We will be happy to assist you to find the right regulator to fit your needs.