



305 SINGLE STAGE MEDICAL CLINICAL REGULATOR

The 305 Series regulators are specifically designed for use in the medical laboratory for blood gases, laser gases, and other clinical gas applications where minor fluctuations in outlet pressure due to diminishing inlet supply pressure can be tolerated.

Custom Calibration

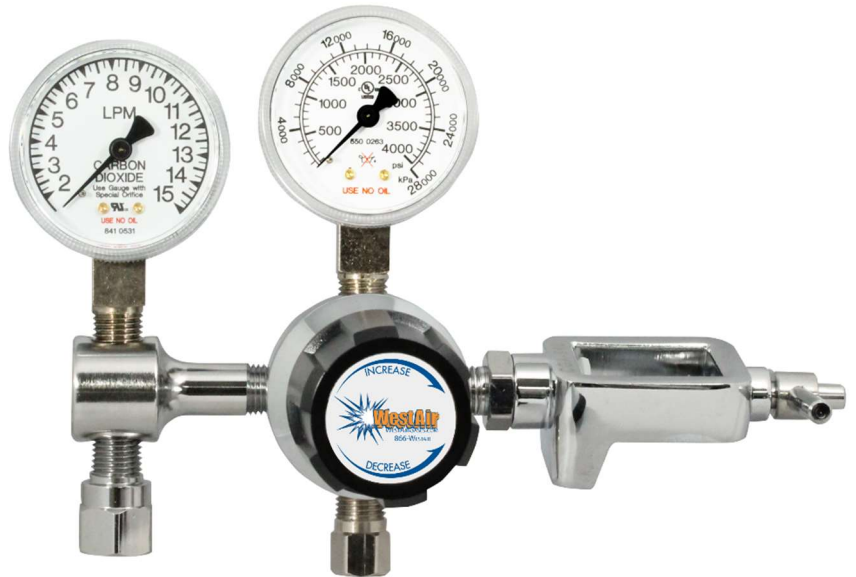
In addition to a standard 2-15 LPM flowgauge for Carbon Dioxide in laser applications, WestAir also offers a custom 2-15 LPM calibration for any non-corrosive gas or mixture. The outlet orifice is sized to the flow requirement for a specific gas using a thermal mass flowmeter.

Highlighted Features

- Single Stage
- Chrome-Plated Brass Barstock Body
- Three Port Configuration
- 316L Stainless Steel Diaphragm

Typical Applications

- ❖ Bulk gas distribution systems
- ❖ Gas and liquid chromatography
- ❖ High purity carrier gases Zero, span, and calibration gases
- ❖ Liquefied hydrocarbon gas control
- ❖ Control of cryogenic gases



Features	Materials	Specifications
<p>CAPSULE® Seat Increased serviceability and life</p> <p>316L Stainless Steel Diaphragm No inboard diffusion</p> <p>Low Wetted Surface Area Minimal purge requirements</p> <p>Field-Adjustable Pressure Limit Safeguard downstream equipment</p> <p>Convuluted Diaphragm Smooth pressure changes</p> <p>Compact Design Easily transported and integrated into systems</p>	<p>Body Chrome-plated brass barstock</p> <p>Bonnet Chrome-plated die-cast zinc</p> <p>Seat PTFE</p> <p>Filter 10 micron sintered bronze</p> <p>Diaphragm 316L stainless steel</p> <p>Internal Seals PTFE</p>	<p>Maximum Inlet Pressure 3000 PSIG (210 BAR)</p> <p>Temperature Range -40°F to 140°F (-40°C to 60°C)</p> <p>Gauges 2" (53mm) diameter chrome-plated brass</p> <p>Ports 1/4" FPT</p> <p>Helium Leak Integrity 1 x 10⁻⁸ scc/sec</p> <p>Cv 0.1 <i>Flow curves on pages to follow</i></p> <p>Weight (305 8381-M2D) 2.8 lbs. (1.29 kg)</p>

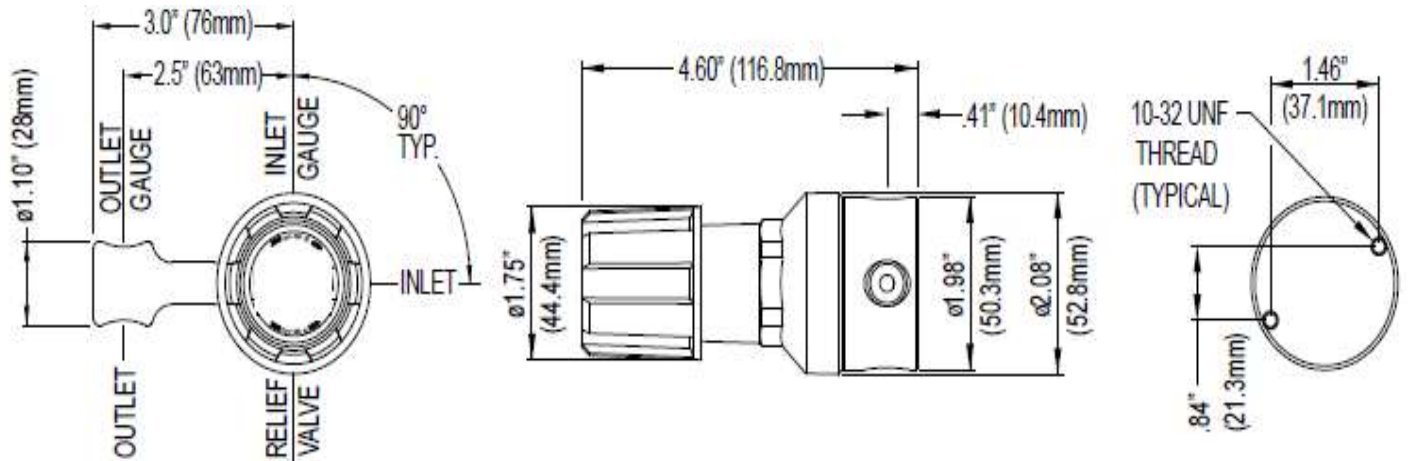
Order Information

Model	A		B	C	D	-CON	
Series	Outlet Pressure	Outlet Gauge	Inlet Gauge	Outlet Assemblies	Gauges	Inlet Connections	Installed Options
305	1: 0-15 PSIG (0-1 BAR)	0-30 PSIG/ 0-2 BAR	0: None	0: 1/4" FPT port	0: Bare body 1: Standard assembly (PSIG/kPa gauges)	See inlet selection chart for limited CGA connections.	B: Protocol alarm station with pressure switch gauges
	2: 0-30 PSIG	0-60 PSIG/ 0-4 BAR	3: 0-4000 PSIG/ 0-275 BAR	1: 1/4" MPT	2: Standard assembly (BAR/PSIG gauges)	DIN 477, BS 341 and others available.	C: Protocol switchover station
	3: 0-50 PSIG (0-3.5 BAR)	0-100 PSIG/ 0-7 BAR		2: 1/4" tube fitting			E: Protocol alarm station with intrinsically safe transducer for hazardous environments
	5: 0-100 PSIG (0-7 BAR)	0-200 PSIG/ 0-14 BAR		3: Diaphragm valve 1/4" tube fitting			H: Protocol switchover alarm station with pressure switch gauges
	6: 0-200 PSIG (0-14 BAR)	0-400 PSIG/ 0-27 BAR		4: Diaphragm valve 1/4" MPT			J: Protocol alarm station with standard transducer for non hazardous environments
	7: 0-500 PSIG (0-34 BAR)	0-1000 PSIG/ 0-70 BAR		5: Needle valve 1/4" MPT			K: Protocol switchover alarm station with standard transducer for non hazardous environments
	8: 2-15 LPM Carbon Dioxide	2-15 LPM flowgauge		6: 1/8" tube fitting			M: Protocol station
	9: Custom calibration	Custom flow gauge		7: 3/8" tube fitting			Q: Protocol purge station
				8: Medical DISS outlet			
				9: 1/4" hose barb A: 3/8" BSP RH fitting			X: Protocol switchover alarm station with intrinsically safe transducer for hazardous environments

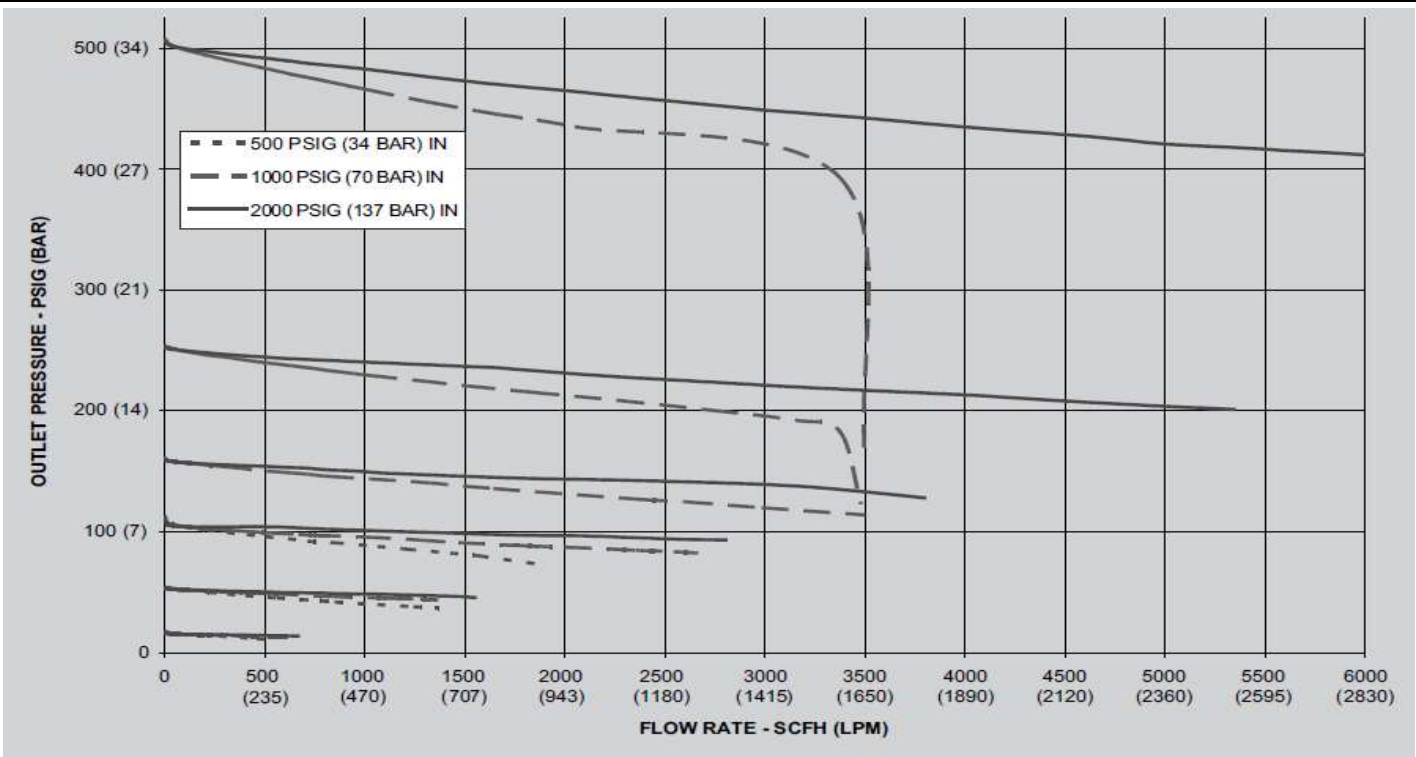
Order Information - continued

Gas Service	Inlet (CGA)		Outlet (Medical DISS)			
	Threaded	Yoke	Primary	DISS Part No.	Optional	DISS Part No.
Air	CGA 346	CGA 950	1160	830 5686	N/A	
Argon, Neon, Krypton, Xenon	CGA 580	CGA 985	N/A		N/A	
Carbon dioxide	CGA 320	CGA 940	1080	830 6042	N/A	
Carbon dioxide < 7% and Oxygen	CGA 280	CGA 880	1200	830 6043	1020	830 6047
Carbon dioxide > 7% and Oxygen	CGA 500	CGA 940	1080	830 6042	1020	830 6047
Clinical blood gas mixtures	CGA 500	CGA 973	1020	830 6046	1080	830 6042
Ethylene	CGA 350	CGA 900	1140	830 6049	N/A	
Helium	CGA 580	CGA 930	1060	830 6048	N/A	
Helium < 80% and Oxygen	CGA 280	CGA 890	1180	830 6045	1020	830 6047
Helium > 80% and Oxygen	CGA 500	CGA 930	1060	830 6048	1020	830 6047
Nitrogen	CGA 580	CGA 960	1120	830 6044	N/A	
Nitrogen and Oxygen > 23.5%	CGA 280	CGA 890	2040		N/A	
Nitrous oxide	CGA 326	CGA 910	1040	830 4264	N/A	
Nitrous oxide 47.5% - 52.5% and Oxygen	CGA 280	CGA 965	2020	830 6046	N/A	
Oxygen	CGA 540	CGA 870	1240	803 0051	N/A	
Xenon and Oxygen > 20%	CGA 280	CGA 890	1020	830 6047	1180	
Non-flammable, noncorrosive gas mixtures labeled as drugs or medical devices without another connection assignment	CGA 500	CGA 973	1020	830 6047	N/A	

Installation Dimensions



305 Regulator Flow Curves



Can't find what you need? We will be happy to assist you to find the right regulator to fit your needs.