



# 205 SINGLE STAGE CHROME-PLATED BRASS POINT OF USE REGULATOR

The 205 Series regulators are intended for secondary pressure control of non-corrosive, high purity or liquefied gases (up to grade 4.5) or as point of use pressure control in high purity gas distribution systems.

## Highlighted Features

- Single Stage
- Chrome-Plated Forged Brass Body
- 316L Stainless Steel Diaphragm
- Four Port Configuration

## Typical Applications

- ❖ Point-of-use laboratory systems
- ❖ Gas supply purging
- ❖ Liquefied hydrocarbon gas control
- ❖ Control of cryogenic gases
- ❖ Bulk gas distribution systems



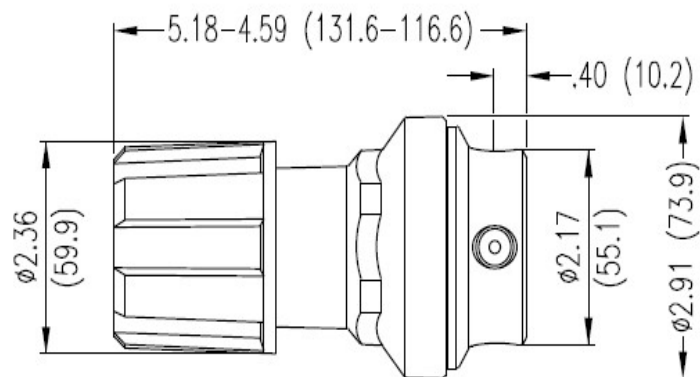
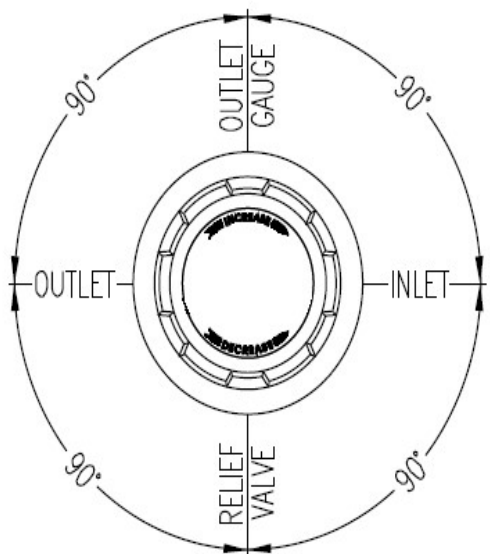
Features	Materials	Specifications
<p><b>CAPSULE® Seat</b> Increased serviceability and life</p> <p><b>316L Stainless Steel Diaphragm</b> No inboard diffusion</p> <p><b>Forged Body</b> Durable, long-lasting construction</p> <p><b>Field-Adjustable Pressure Limit</b> Safeguard downstream equipment</p> <p><b>Large Convoluted Diaphragm</b> Smooth pressure changes</p> <p><b>Standard Relief Valve</b> Diaphragm and gauge protection</p> <p><b>Chrome-Plated Forged Brass Body</b> Economical high purity design</p> <p><b>High Flow Capacity</b> Supply multiple user locations</p> <p><b>Pressure Ranges 0-15 to 0-200 PSIG (0-1 to 0-14 BAR)</b> Broad range of applications</p> <p><b>3000 PSIG (210 BAR) Inlet Pressure Rating</b> Safe use with high pressure cylinders</p>	<p><b>Body</b> Chrome-plated forged brass</p> <p><b>Bonnet</b> Chrome-plated die-cast zinc</p> <p><b>Seat</b> PTFE</p> <p><b>Filter</b> 10 micron sintered bronze</p> <p><b>Diaphragm</b> 316L stainless steel</p> <p><b>Internal Seals</b> PTFE</p>	<p><b>Maximum Inlet Pressure</b> 3000 PSIG (210 BAR)</p> <p><b>Temperature Range</b> -40°F to 140°F (-40°C to 60°C)</p> <p><b>Gauge</b> 2 1/2" (68mm) diameter chrome-plated brass</p> <p><b>Ports</b> 1/4" FPT</p> <p><b>Helium Leak Integrity</b> 1 x 10<sup>-8</sup> scc/sec</p> <p><b>Cv</b> 0.28</p> <p><i>Flow curves on pages to follow</i></p> <p><b>Weight (205 3021-000)</b> 3.2 lbs. (1.44 kg)</p>

## Order Information

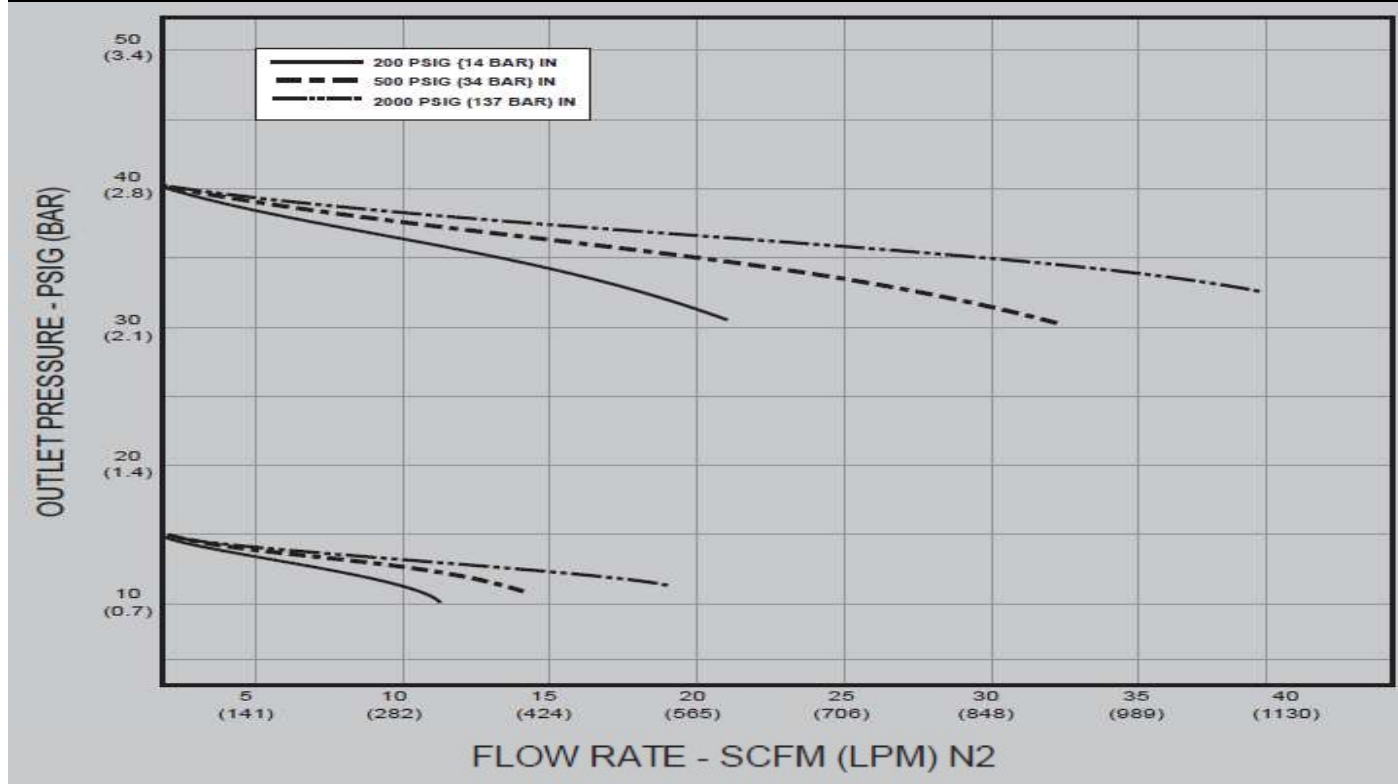
Model	A		B	C	D	-CON	Options
Series	Outlet Pressure	Outlet Gauge	Inlet Gauge	Outlet Assemblies	Gauges	Inlet Connections	Installed Options
205	1: 0-15 PSIG (0-1 BAR)	0-30 PSIG/ 0-2 BAR	0: None	0: 1/4" FPT port	0: Bare body	000: 1/4" FPT	M: Protocol station
	2: 0-40 PSIG (0-3 BAR)	0-60 PSIG/ 0-4BAR		1: 1/4" MPT	1: Standard assembly (PSIG/kPa gauges)	TF2: 1/8" tube	Q: Protocol purge station
	3: 0-120 PSIG (0-8 BAR)	0-200 PSIG/ 0-14 BAR		2: 1/4" tube fitting	2: Standard assembly (BAR/PSIG gauges)	TF4: 1/4" tube	
	4: 0-200 PSIG (0-14 BAR)	0-400 PSIG/ 0-27 BAR		3: Diaphragm valve 1/4" tube fitting	5: Needle valve 1/4" MPT		
	5: 0-15 PSIG (0-1 BAR)*	0-30 PSIG/ 0-2 BAR		6: 1/8" tube fitting	6: Mirror image assembly (PSIG/kPa gauges)	TF6: 3/8" tube	
			7: 3/8" tube fitting	7: Mirror image assembly (BAR/PSIG gauges)	M06: 6mm tube		
			8: Diaphragm valve 1/8" tube fitting				
			9: Diaphragm valve 1/4" FPT				
			A: 3/8" BSP RH fitting				
			B: Diaphragm valve 3/8" tube fitting				
			C: 3/8" BSP LH fitting				
			D: 6mm brass hose barb (Not available if A=4 or 5)				
			G: 1/8" stainless steel tube fitting				
			H: 1/4" stainless steel tube fitting				
			M: 6mm tube fitting				
			S: Diaphragm valve 6mm tube fitting				

\*With redline for acetylene use

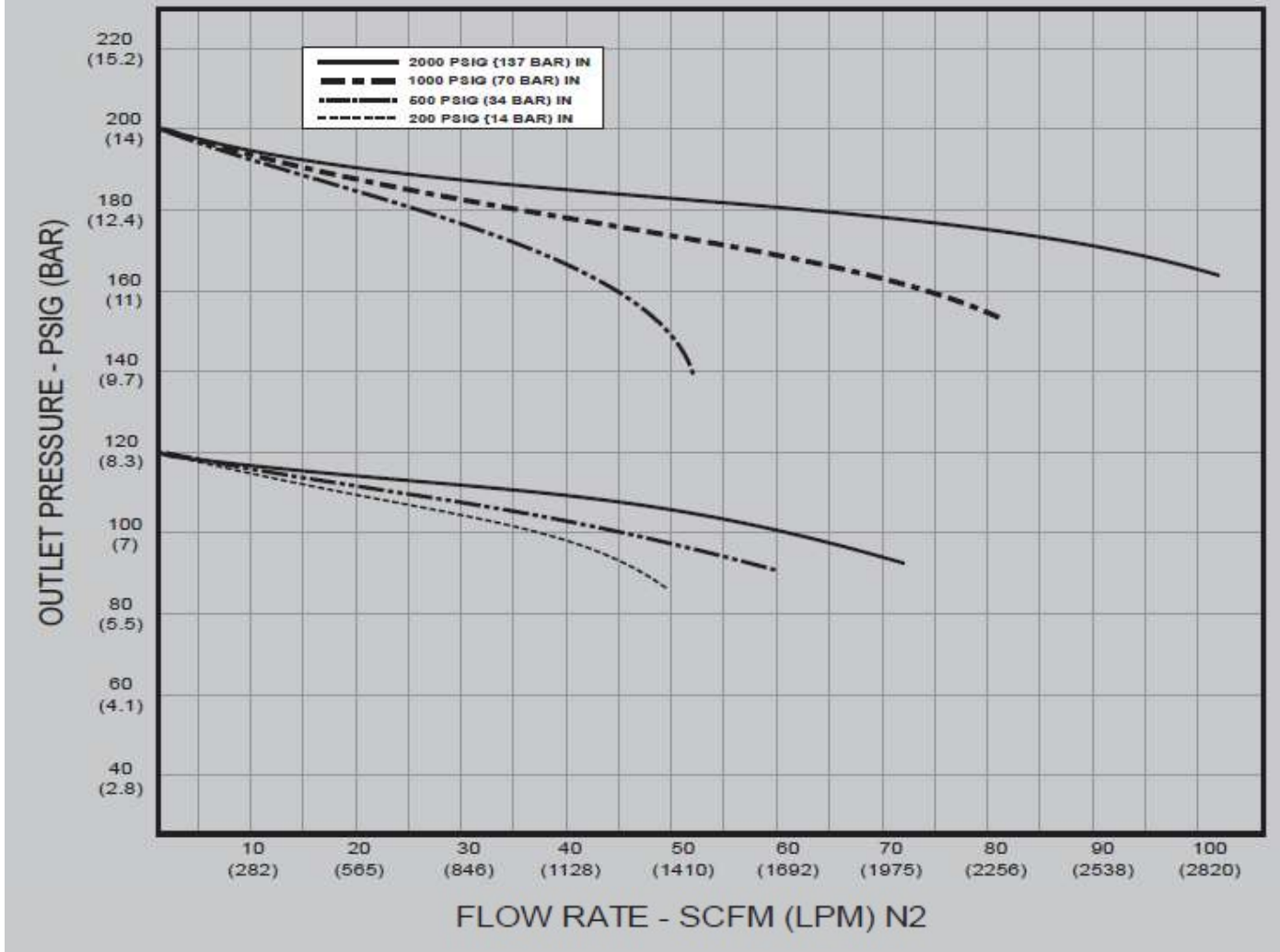
## Installation Dimensions



## 205 Regulator Flow Curves



## 205 Regulator Flow Curves



*Can't find what you need? We will be happy to assist you to find the regulator that will fit your needs.*