

HAILO

Empowering Intelligence

Hailo-8™ Evaluation & Development Platform

Hailo is developing a breakthrough specialized deep learning processor to deliver data center performance to edge devices



Hailo-8 Evaluation Kit

The Hailo-8 Evaluation kit (EV Kit) provides a proven design to evaluate the Hailo-8 deep learning processor.

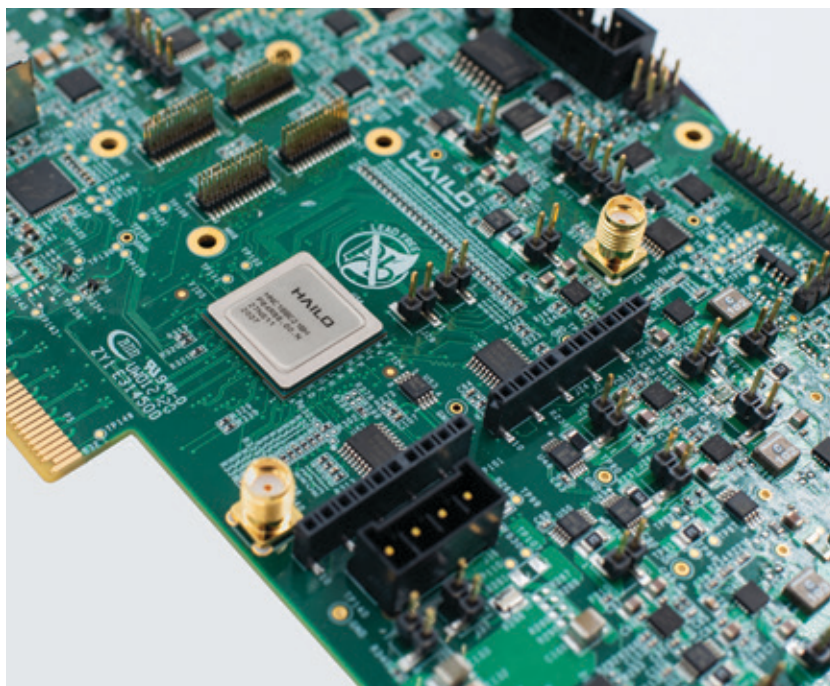
The EV Kit allows easy access to all peripherals necessary for development, testing and debugging.

Target Markets

- | Automotive
- | Smart City
- | Smart Home
- | Smart Retail
- | Industry 4.0

KEY Features

- Demonstration of the capabilities and KPIs of the Hailo-8 deep learning processor
- Fast evaluation and prototyping using out-of-the-box deep learning examples
- Accelerated development with the Hailo Dataflow Compiler
- Easy deployment of proprietary deep learning algorithms
- Seamlessly integrates with popular frameworks such as TensorFlow and ONNX
- Easy connection to customers' existing platforms for quick proof of concept

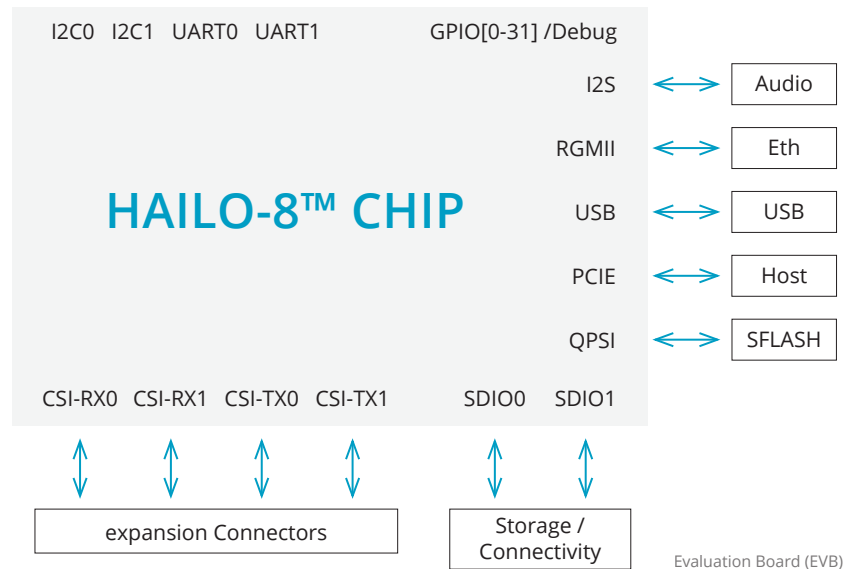




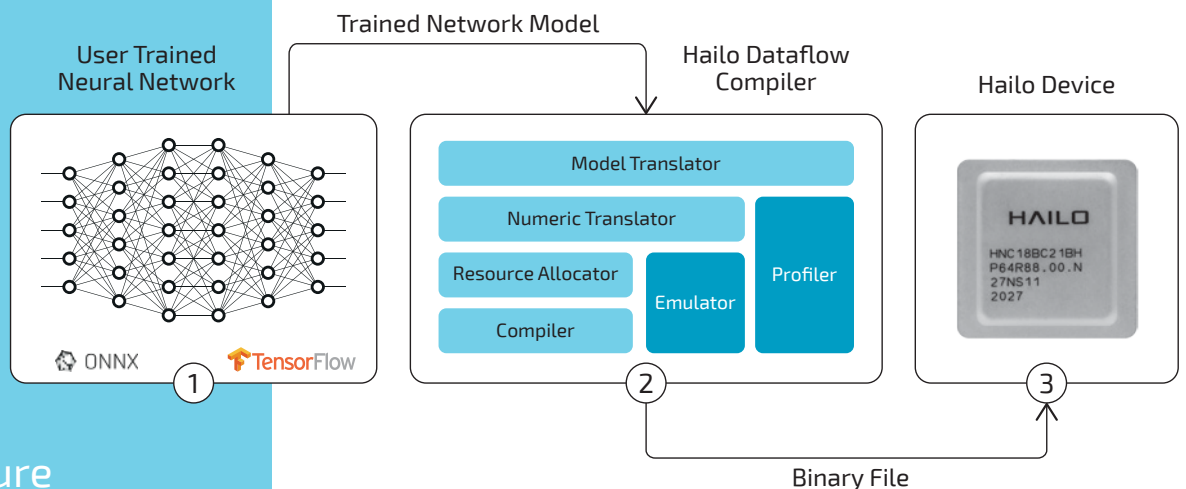
EV Kit HW Feature Highlights

- Host interfaces: PCIe over edge connector, GbE
- Camera interfaces: MIPI CSI, DVP over mezzanine connectors
- Display interfaces: MIPI DSI over mezzanine connectors
- Audio interface: I2S
- Various interfaces: I2C, UART
- Measurement and debugging capabilities
- Power supply: 5v via USB-C or DC Jack
- Board size: 11.2x16.7cm

HW High-Level Block Diagram



Hailo Dataflow Compiler



SDK Feature Highlights

- Industry-standard NN examples
- Bit-exact SW emulator
- Profiler:
 - Resource utilization
 - Power consumption
 - Latency

Hailo-8 Development Suite

- Evaluate Hailo processor capabilities and KPIs using industry-standard deep learning examples or user's model*
- Evaluate software toolchain usability
- Develop deep learning edge application and prototype your smart embedded product

(*) That are supported by Hailo SDK