

YOUR WORKING AT HEIGHT PARTNER



S15



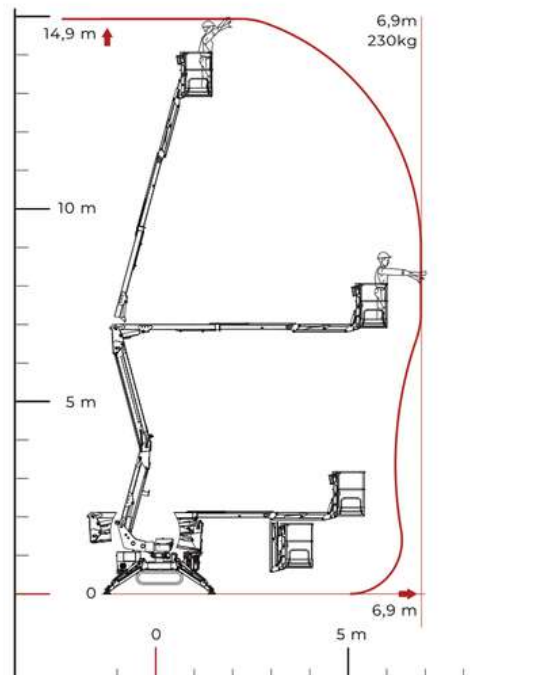
TECHNICAL SHEET

PERFORMANCE AND DIMENSIONS

Main features

This is the most compact geometric platform without outreach limiter in its class. It goes through a standard door and fit in the lifts, a key feature for use inside large structures such as airports or large shopping centres.

Max. working height	14,9 m
Max. reach with 230 kg	6,9 m
Platform height	12,9 m
Max. load in basket	230 kg
Basket dimensions	1,4 x 0,7 x 1,1 m
Basket rotation	+/-90° (options)
Turret rotation	+/- 178°(356° non-continuous)
Total weight	1820 Kg



Via Bitritto, 119 - 70124 BARI - ITALY
 Tel. +39 080 532 66 06 - Fax +39 080 536 85 41
www.cmclift.com - info@cmclift.com



33 DE TO EN 03



YOUR WORKING AT HEIGHT PARTNER

