

YOUR WORKING AT HEIGHT PARTNER



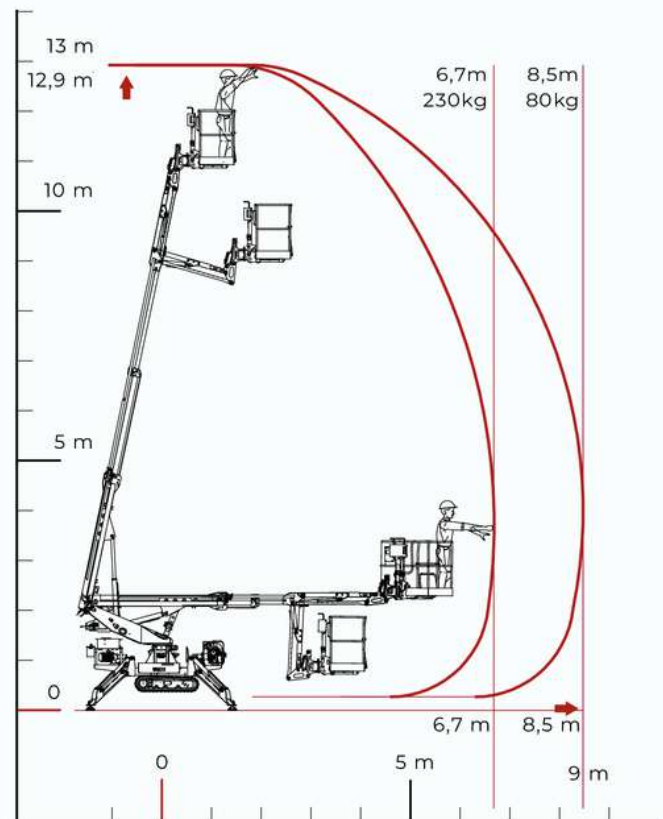
TECHNICAL SHEET

PERFORMANCE AND DIMENSIONS

Main features

Lightweight and multifunctional, equipped with a two-stage telescopic boom and jib (90°), the S13F is the smallest platform in the entire CMC range and the most compact in its category, but it is second to none when it comes to work in difficult conditions and limited spaces.

Max. working height	12,9 m
Max. reach with 80 kg	8,5 m
Platform height	10,9 m
Max. load in basket	230 kg
Basket dimensions	1,4 x 0,7 x 1,1 m
Basket rotation	+/-90° (options)
Turret rotation	+/- 178° (356° non-continuous)
Total weight	1565 Kg



YOUR WORKING AT HEIGHT PARTNER

