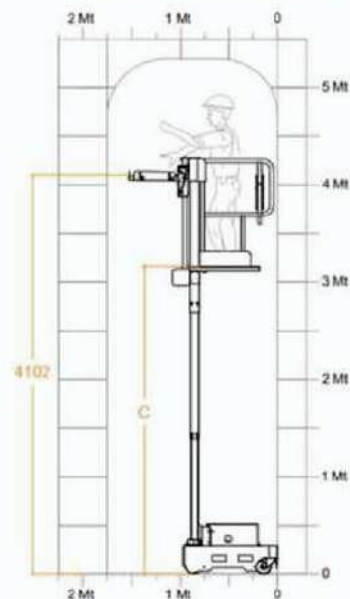
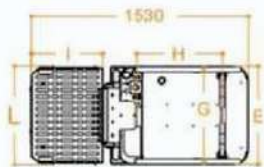
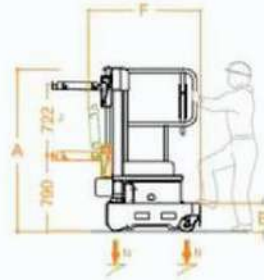


YOUR WORKING AT HEIGHT PARTNER

E5P100 TECHNICAL DATA

Max. working height		5,15 m
Max capacity		200 kg
Number of people		1
Use		internal-external
A	Closed machine height	1690 mm
B	Minimum platform height*	289 mm
C	Maximum platform height	3150 mm
D/E/F	Base overall dimensions	1530/ 700 /1152 mm
G/H	Cage dimensions	685 x 600 mm
Machine weight		640 kg (with electrical picking platform) 590 kg (with removable picking platform)
Drive wheels dimension		Ø 186 x 60
Swivel wheels dimensions		Ø 150 x 40
PICKING PLATFORM		
I/L	Dimensions	500 x 680 mm
Adjustment		electrical
J	Stroke	722 mm
Min. height from the ground		790 mm
Maximum height from the ground		4102 mm
Capacity		100 kg
PERFORMANCE		
Power supply		electrical 24V
Batteries		2 Trojan Lead-Acid 12V 105 Ah
Battery charger		110V - 220V
Climbing ability at height		5,5%
M	Maximum climbing ability	15%
Internal turning radius		0
Max. speed (rising - descending)		0,20 m/s
Maximum shifting speed (on the ground - at height)		0,70 - 0,25 m/s
N	Maximum pressure for wheel at full load**	2,9 kN
Work cycles*** (with fresh batteries)		100



- * There is an intermediate step.
- ** Maximum pressure whereas the weight of the platform plus the maximum load on the basket are completely distributed on one side of the platform (totally asymmetric load).
- *** By work cycle we mean a self-propelled movement of 20 m with a full ascent to and descent from the maximum height and with adjustment of the loading platform.

CE Complies with European regulations for man-up forklift trucks. UNI EN ISO 3691-1.



YOUR WORKING AT HEIGHT PARTNER

+ SAFE SICURA

- **CONTROL ACCESS**
Automatic door block. Prevents accidental opening.
- **TILT DEVICE**
Prevents lifting on sloping surfaces.
- **SIGNALS**
3 presence detectors that can be integrated with the BLU SPOT accessory
- **JOYSTICK**
All controls at hand.
- **SPEED CONTROL**
Speed control adjustment.

OPTIONAL

- **RADAR SYSTEM**
3 anti-collision radar systems can be fitted on the machine
- **KEY ACCESS**
Basket block at max. 1,95 m platform height.

- **CONTROL ACCESS**
Blocco automatico dello sportello. Evita l'apertura accidentale.
- **INCLINOMETRO**
Impedisce il sollevamento in spazi inclinati
- **SEGNALATORI**
Ben 3 segnalatori di presenza che possono essere integrati con l'optional BLUE SPOT
- **JOYSTICK**
Tutti i controlli a portata di una sola mano
- **SPEED CONTROL**
Regolatore di velocità

OPTIONAL

- **RADAR SYSTEM**
3 sistemi radar anticollisione applicabili alla macchina
- **KEY ACCESS**
Blocco della macchina h. max. 1,95 al piede. Questo accessorio consente l'utilizzo della macchina senza patentino.

