

YOUR WORKING AT HEIGHT PARTNER



YOUR WORKING AT HEIGHT PARTNER

Σ

DETAILS



**GOES THROUGH
A STANDARD DOOR**



**S.C.S.
(SELF CONTROL SYSTEM)**



**SELF-LOADING
PLATFORM**



**RADIO CONTROL
WITH COLOR DISPLAY**



**FOUR STABILIZATION
AREAS**



**ADJUSTABLE TRACKS
IN HEIGHT AND WIDTH**



JIB



Crawled platform with two articulated telescopic booms plus Jib and 1.70 m long basket. A compact and versatile platform, with incredible features (also - 6.8 meters work). With four areas of stabilization and supported by continuous CMC technological research, it is the absolute market leader in its category. 230 kg the maximum capacity in the basket.

Standard equipment

S25 is supplied with a Kubota D902 Diesel engine, hydraulically adjustable undercarriage in height and width with black rubber tracks, two-men basket 170x70x110 cm with quick-release system and wheels, basket rotation +/- 90° (180°) by hydraulic motor, 200 bar air/water hose in basket, 230 V/110 V and 24 V electrical socket in basket, cylinder-outriggers cover, display for error code detection, proportional electrohydraulic controls, undercarriage triple speed, S.C.S. by CMC (self stabilizing, automatic speed control, "home function"), radio control with color display, different stabilization: small, medium (right or left) large, parking-mode function (jib-lifting), automatic boom lifting, 12 months warranty, standard painting (RAL 3000).

Available accessories:

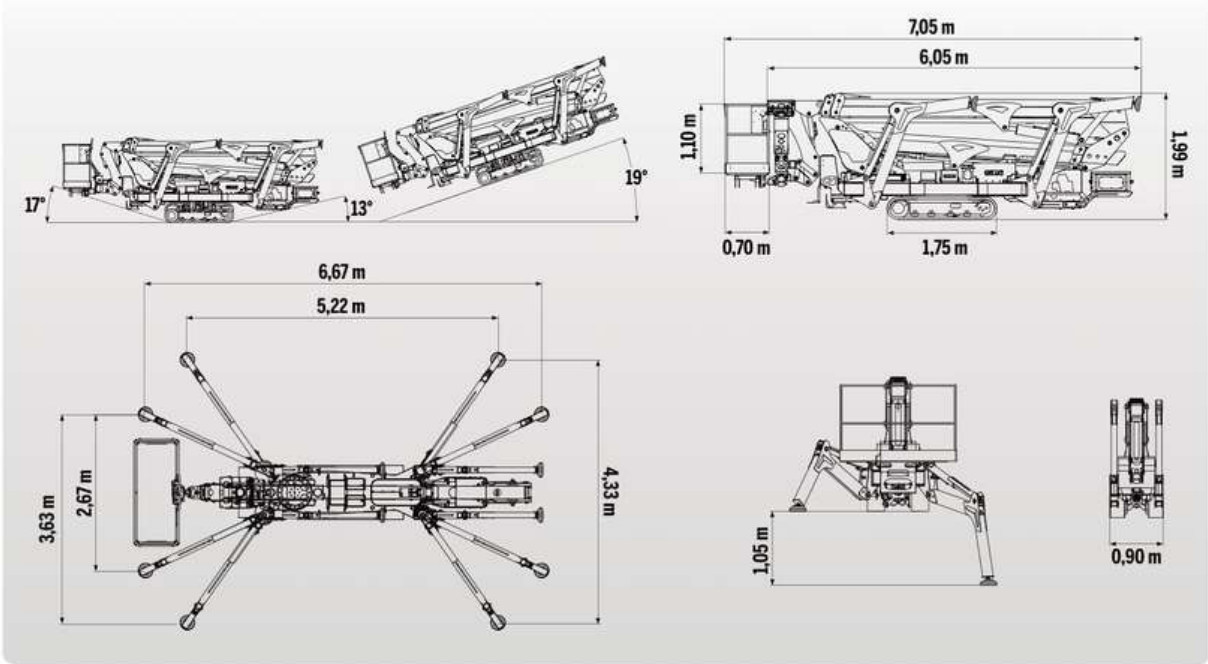
- Fully lithium battery version (200 A)
- Hybrid version (diesel engine + lithium batteries)
- 110 V/120 V, 230 V or 380 V electric motor
- Grey no-marking rubber tracks
- 1 or 2-men fiberglass basket
- Remote connection kit
- Fixed control station in the basket
- Customized colors

The specifications and characteristics indicated are subject to change and are not binding.

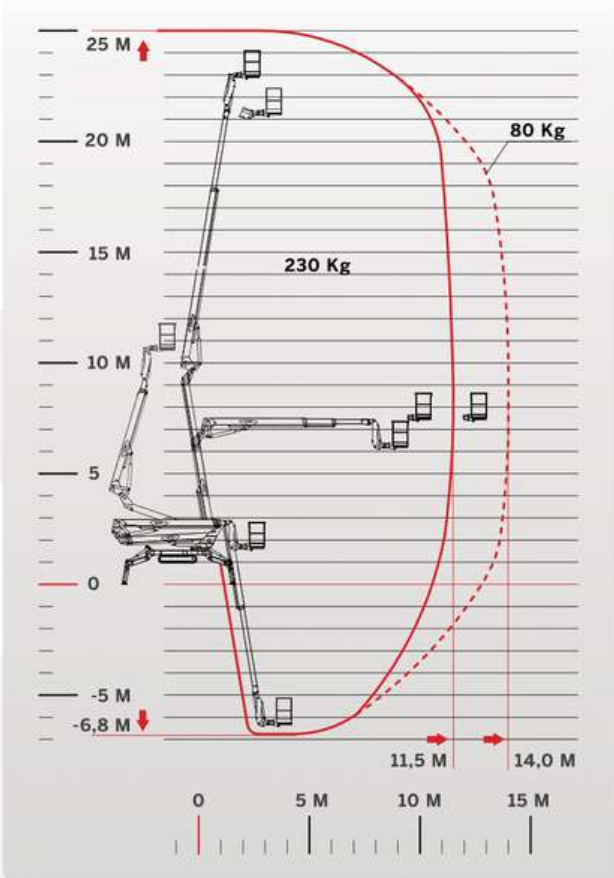


YOUR WORKING AT HEIGHT PARTNER

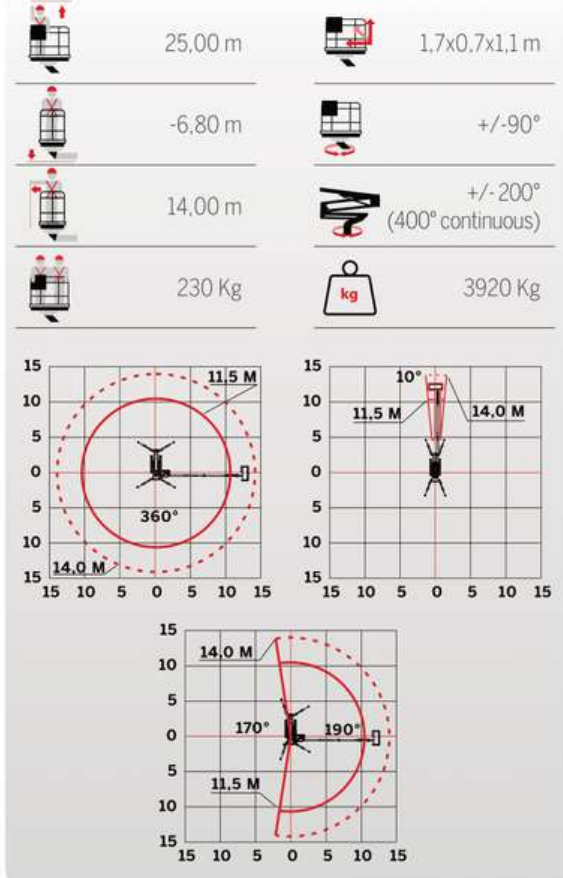
TECHNICAL DATA



MAXIMUM LOAD



PERFORMANCE



YOUR WORKING AT HEIGHT PARTNER



Market leader in its category. A platform able to overcome every limit.

A platform able to let you overcome any limit thanks to the speed guaranteed by the new automatic systems. The advanced technology at your service that, combining an intuitive operating system with unparalleled maneuverability makes S25 the reference point of the entire sector. The innovative fault control and explication system makes every operation quick and easy. Thanks to the performing stabilizers, S25 is self-loading on a truck.

