

	MODEL: PDI-179AV-B, -C, -G PDI-179AV5-B, -C, -G Product Name: A/V WALL MOUNT (Wall Bracket)	Document Number: PD196-396R3
	Installation Guide	Page 1 of 6

SAFETY INFORMATION

	This symbol indicates that dangerous voltage constituting a risk of electric shock is present within this unit.
	This symbol indicates that there are important operating and maintenance instructions in the literature accompanying this unit.

	CAUTION	
RISK OF ELECTRIC SHOCK, DO NOT OPEN!		
CAUTION: TO REDUCE THE RISK OF ELECTRIC SHOCK, DO NOT REMOVE COVER. NO USER SERVICEABLE PARTS INSIDE. REFER SERVICING TO QUALIFIED SERVICE PERSONNEL		



Overhead Falling Hazard

Warning: To prevent injury, this apparatus must be securely attached to the wall in accordance with the installation instructions. Monitor can pose a striking hazard when mounted at an elevated position. Use only PDi mounting brackets, support arms, and appropriate hardware to assure monitor will not fall from the mounted position.



Rain and Moisture

WARNING: To avoid the hazards of fire or electrical shock, DO NOT expose this apparatus to rain or moisture.



Oxygen Environment

WARNING: Do not use in any oxygen tent or oxygen chamber. Such use may cause a fire hazard.

Maintenance and Servicing

This unit does not require periodic maintenance other than cleaning.

Cleaning and Disinfection

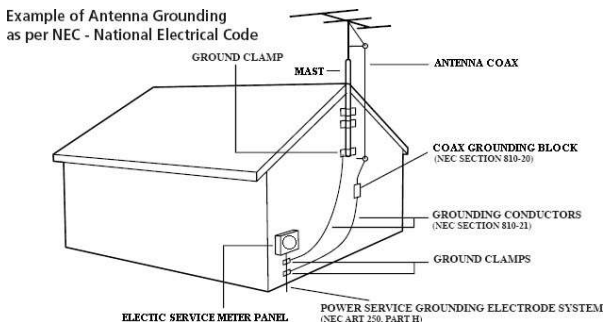
Clean the exterior of this wall mount bracket by removing dust with a lint-free cloth. Suggested cleaning agent is 5% Bleach and Water solution. CAUTION: To avoid damage to the surface of the wall mount bracket, do not use abrasive or chemical cleaning agents. Spot test a new disinfectant by test cleaning a non-obvious small spot on the wall bracket surface. Allow the disinfectant to soak per its instructions and then wipe clean. Do not use the disinfectant if the wall bracket's surfaces show any sign of discoloration or softening.

Product Modification

Do not attempt to modify this product in any way without written authorization. Unauthorized modification could void the user's authority to operate the product.

Note to Cable TV Installer


This reminder is provided to call the cable TV systems installer's attention to Article 820-40 of the National Electrical Code. The code provides guidelines for proper grounding and, in particular, specifies that the cable ground shall be connected to the grounding system of the building, as close to the point of the cable entry as practical. Canadian installations shall be properly grounded in accordance with the Canadian Electrical Code, Part 1.



Copyright, Trademarks

© 2017 PDi Communication Systems, Inc. All rights reserved. Product logos, brands and other trademarks displayed within PDi's products are the property of their respective trademark holders, who are not affiliated with, endorsing or sponsoring PDi Communication Systems Inc. or our products.

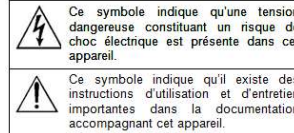


	MODEL: PDI-179AV-B, -C, -G PDI-179AV5-B, -C, -G Product Name: A/V WALL MOUNT (Wall Bracket)	Document Number: PD196-396R3
	Installation Guide	Page 2 of 6

IMPORTANT SAFETY INSTRUCTIONS

CAUTION: THIS INSTALLATION SHOULD BE MADE BY A QUALIFIED SERVICE PERSON AND SHOULD CONFORM TO ALL LOCAL CODES. READ AND FOLLOW THE SAFETY INSTRUCTIONS BEFORE ATTEMPTING THIS INSTALLATION.

1. Read these Instructions – All the safety and operating instructions should be read before the product is operated.
2. Keep these Instructions – The safety and operating instructions should be retained for future reference.
3. Heed all Warnings – All warnings on the product and in the operating instructions should be adhered to.
4. Follow all Instructions – All warnings on the product and in the operating instructions should be followed.
5. Do not use this apparatus near water – for example, near a bath tub, wash bowl, in a wet basement; or near a swimming pool; and the like.
6. Clean only with dry cloth. Do not use liquid cleaners or aerosol cleaners.
7. Do not block any ventilation openings. Install in accordance with the manufacturer's instructions. The openings should never be blocked by placing the product on a bed, sofa, rug, or other similar surface.
8. Do not install near any heat sources such as radiators, heat registers, stoves, or other apparatus (including amplifiers) that produce heat.
9. DO NOT defeat the safety purpose of the polarized or grounding-type plug. This product is equipped with a three-wire grounding-type plug, a plug having a third (grounding) pin. This plug will only fit into a grounding-type power outlet. This is a safety feature. If you are unable to insert the plug into the outlet, contact your electrician to replace your obsolete outlet.
10. Protect the power cord from being walked on or pinched particularly at plugs, convenience receptacles, and the point where they exit from the product.
11. Attachments – Only use attachments/accessories specified by the manufacturer.
12. Use only with cart, stand, tripod, bracket, or table specified by the manufacturer, or sold with the apparatus. When a cart is used, use caution when moving the cart/apparatus combination to avoid injury from tip-over.
13. Unplug this apparatus during lightning storms when it is left unused for long periods of time.
14. Refer all servicing to qualified service personnel. Servicing is required when the apparatus has been damaged in any way, such as power-supply cord or plug is damaged, liquid has been spilled or objects have fallen into the apparatus, the apparatus has been exposed to rain or moisture, does not operate normally, or has been dropped.
15. Power Sources – This product should be operated only from the type of power source indicated on the marking label. If you are not sure of the type of power supply to your home, consult your product dealer or local power company. For products intended to operate from battery power, or other sources, refer to the operating instructions.
16. Oxygen Environment – Do not use in an oxygen tent or oxygen chamber. Such use may cause a fire hazard.
17. Lightning – For added protection for this product during a lightning storm, or when it is left unattended and unused for long periods of time, unplug it from the wall outlet and disconnect the antenna or cable system. This will prevent damage to the product due to lightning and power-line surges.
18. Servicing – Do not attempt to service this product yourself as opening or removing covers may expose you to dangerous voltage or other hazards. Refer all servicing to qualified service personnel.




CONSIGNES DE SÉCURITÉ IMPORTANTES

CETTÉ INSTALLATION DOIT ÊTRE EFFECTUÉE PAR UN TECHNICIEN QUALIFIÉ ET DOIT ÊTRE CONFORME À TOUS LES CODES LOCAUX. LIRE ET SUIVRE LES CONSIGNES DE SÉCURITÉ AVANT DE PROCÉDER À L'INSTALLATION.

1. Lire ces instructions.
2. Conserver ces instructions.
3. Respecter tous les avertissements.
4. Suivez toutes les instructions - Tous les avertissements sur le produit et dans les instructions d'utilisation doivent être suivis.
5. N'utilisez pas cet appareil près de l'eau - par exemple, près d'une baignoire, d'un bol de lavage, dans un sous-sol humide; ou près d'une piscine; etc.
6. Nettoyez uniquement avec un chiffon sec. Ne pas utiliser de nettoyants liquides ou aérosols.
7. Ne bloquez aucune ouverture de ventilation. Installez conformément aux instructions du fabricant. Les ouvertures ne doivent jamais être bloquées en plaçant le produit sur un lit, un canapé, un tapis ou une autre surface similaire.
8. Ne l'installez pas à proximité de sources de chaleur telles que radiateurs, bouches de chaleur, poêles ou autres appareils (y compris les amplificateurs) produisant de la chaleur.
9. NE PAS nuire à la sécurité de la fiche polarisée ou de la terre. Ce produit est équipé d'une prise de terre à trois fils, une prise ayant une troisième broche (mise à la terre). Cette fiche ne peut être insérée que dans une prise de courant mise à la terre. Ceci est un élément de sécurité. Si vous ne parvenez pas à insérer la fiche dans la prise, contactez votre électricien pour remplacer votre prise obsolète.
10. Protégez le cordon d'alimentation afin qu'il ne soit pas piétiné ou pincé, en particulier au niveau des fiches, des prises de courant et du point de sortie du produit.
11. Pièces jointes - Utilisez uniquement les pièces jointes / accessoires spécifiés par le fabricant.
12. Utilisez uniquement avec un chariot, un pied, un trépied, un support ou une table spécifiés par le fabricant ou vendus avec l'appareil. Lorsqu'un chariot est utilisé, faites attention lorsque vous déplacez la combinaison chariot / appareil afin d'éviter toute blessure due au renversement.
13. Débranchez cet appareil en cas d'orage lorsqu'il n'est pas utilisé pendant une longue période.
14. Confiez toute réparation à un personnel qualifié. Un entretien est nécessaire lorsque l'appareil a été endommagé de quelque manière que ce soit, par exemple si le cordon d'alimentation ou la fiche est endommagé, si du liquide a été renversé ou si des objets sont tombés dans l'appareil, si l'appareil a été exposé à la pluie ou à l'humidité, ne fonctionne pas normalement, ou a été abandonné.
15. Sources d'alimentation - Ce produit doit uniquement être utilisé avec le type de source d'alimentation indiqué sur l'étiquette. Si vous n'êtes pas sûr du type d'alimentation de votre maison, consultez votre revendeur ou votre compagnie d'électricité locale. Pour les produits conçus pour fonctionner à partir d'une batterie ou d'autres sources, reportez-vous au mode d'emploi.
16. Environnement d'oxygène - Ne pas utiliser sous une tente à oxygène ou chambre à oxygène. Une telle utilisation peut causer un risque d'incendie.
17. Foudre - Pour renforcer la protection de ce produit pendant un orage ou lorsqu'il est laissé sans surveillance et non utilisé pendant une période prolongée, débranchez-le de la prise murale et de l'antenne ou du système de câbles. Cela évitera d'endommager le produit en raison de la foudre et des surtensions.
18. Entretien - N'essayez pas de réparer vous-même ce produit, car l'ouverture ou le retrait des capots peut vous exposer à des tensions dangereuses ou à d'autres dangers. Confiez toute réparation à un personnel qualifié.



	MODEL: PDI-179AV-B, -C, -G PDI-179AV5-B, -C, -G Product Name: A/V WALL MOUNT (Wall Bracket)	Document Number: PD196-396R3
	Installation Guide	Page 3 of 6

Disclaimer

The author and publisher have used their best efforts in preparing this manual. PDi Communication Systems, Inc. makes no representation or warranties with respect to the accuracy or completeness of the contents of this manual and specifically disclaims any implied warranties or merchantability or fitness for any particular purpose and shall in no event be liable for any loss of profit or any other damages. The information contained herein is believed accurate, but is not warranted, and is subject to change without notice or obligation.

MINIMUM INSTALLATION REQUIREMENTS

Contact PDi for complete list of compatible arm models that can be used with this Wall Mount Bracket.

NOTE: If you have questions, contact PDi ProServices at 1-800-628-9870.

Wall construction:

1. Wall studs are to be wood, with a 2x4 minimum size and be spaced 16" on centers.
2. Stud orientation shall be with the "4" inch dimension perpendicular to the surface plasterboard.
3. The surface plasterboard shall have a maximum thickness of 5/8".

Installation of PDi backer plate:

1. Attaching fasteners will be 1/4" lag for the wood studs that provide a minimum of 2-1/2" engagement with the wood studs.

PDi RECOMMENDED INSTALLATION METHOD

At the time of this printing, the following configuration is the preferred method for installing PDi's Wall Mount Bracket.

Wall construction:

1. Wall studs are galvanized steel, 25 gauge minimum, with a 2x4 minimum size and be spaced 16" on centers.
2. Stud orientation shall be with the "4" inch dimension perpendicular to the surface plasterboard.
3. The surface plasterboard shall have a maximum thickness of 5/8".

Installation of PDi backer plate:

1. Attaching fasteners will be 1/4" diameter grade 5 (bolts or screws).
2. Captive solid bar toggles: TOGGLER brand Snaptoggle, HILTI, or equivalent (see Appendix).
3. Anchorage to two adjacent studs, two fasteners in each, is required.

MOUNTING GUIDELINES

1. **LOCATION** – Make certain that the chosen Wall Mount Bracket location is near enough to the cable connection interface so that it can be connected. The cables can also enter from behind the wall bracket. Position the Wall Mount Bracket at a mounting height of **47±2 inches**. See Figure 1.
2. **WALL STRENGTH** – These wall bracket mounting instructions cover the most desirable mounting method, backing plate mounting, as well as other recommended mounting methods depending on wall construction. **IN ALL CASES** the wall construction must be able to support a minimum compression loading of **350 PSI** applied perpendicular to the mounting locations.
3. **HARDWARE REQUIREMENTS** – Use the following hardware for all wall bracket installations.
 - a) All threaded rods, bolts, machine screws, and anchors will be 1/4"-20UNC-2A thread, grade 5 or higher.
 - b) Backer plate recommendations below.
 - c) All threaded rods will be finished off with the washer and cap covers, supplied with the wall bracket.
 - d) Fastening anchors should be HILTI, Snaptoggle, or equivalent (see appendix).
4. **THE MAXIMUM TOTAL COMBINED WEIGHT** of the monitor and support arm system should be no more than 55 pounds.

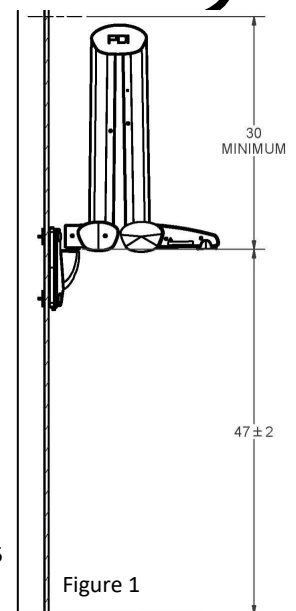
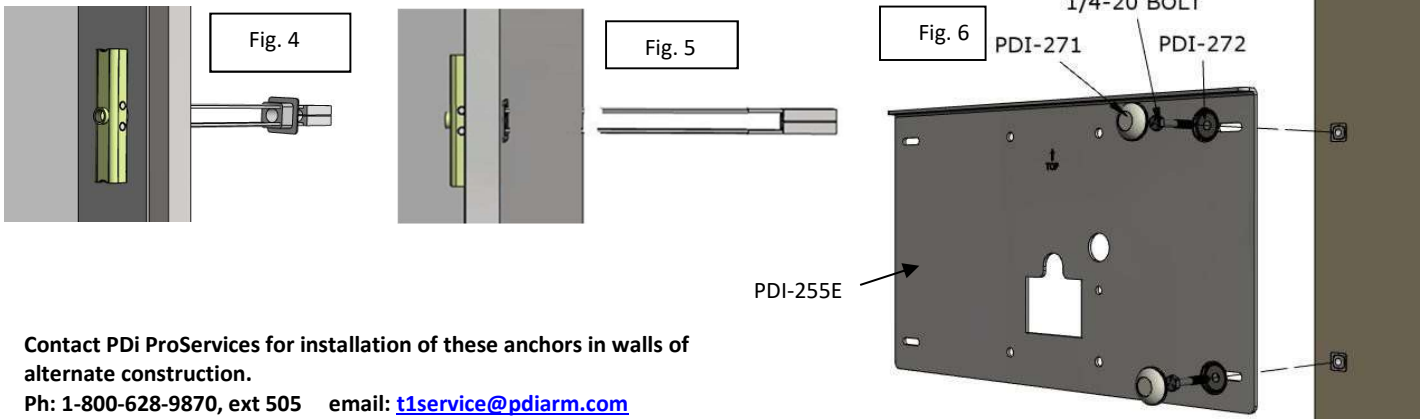
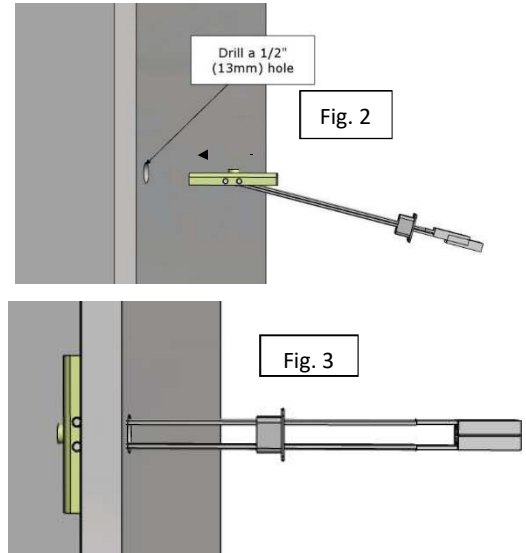


Figure 1

INSTALLATION WITH TOGGLE ANCHORS

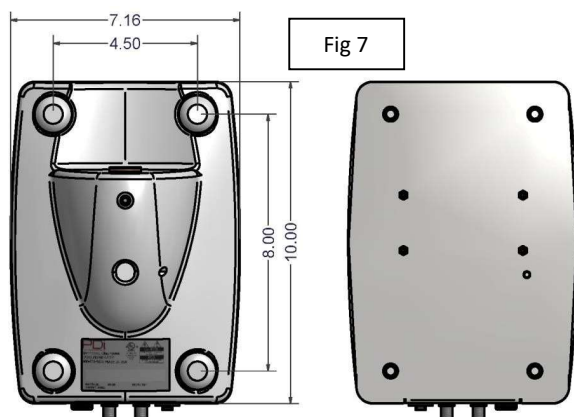
Fastening anchors should be Snaptoggle, HILTI, or equivalent (see appendix).

1. Drill a 1/2" (13mm) hole, in the center of the stud flange. Hold metal channel flat alongside plastic straps and slide channel through hole. Minimum clearance behind wall 1-7/8" (48mm). Fig. 2
2. Hold ends of straps between thumb and forefinger and pull toward you until channel rests flush behind wall. Slide plastic cap along straps with other hand until flange of cap is flush with wall. Fig. 3
3. Toggle should be through center of steel edge flange. Fig. 4
4. Cut or snap straps at wall by pushing side to side, snapping off straps level with flange of cap. Fig. 5
5. Align mounting holes in backer plate (PDI-255E) with holes in toggle and install mounting hardware as shown. Fig. 6

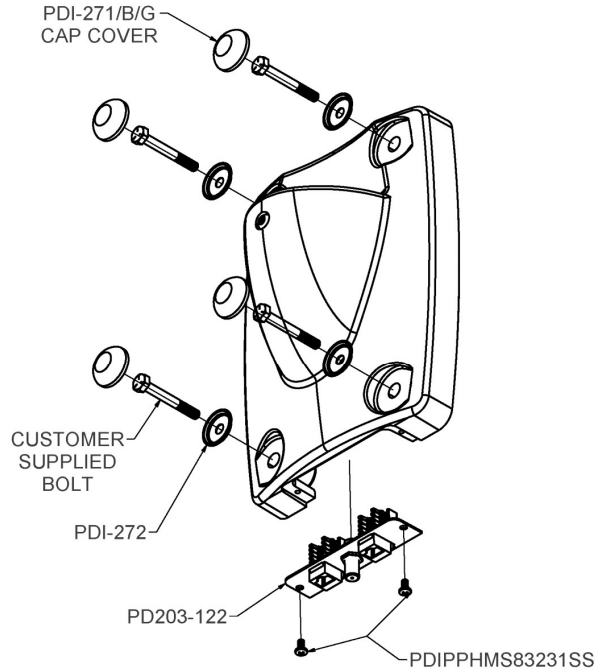


Contact PDi ProServices for installation of these anchors in walls of alternate construction.
 Ph: 1-800-628-9870, ext 505 email: t1service@pdiam.com

Mounting Hole Pattern (inches):

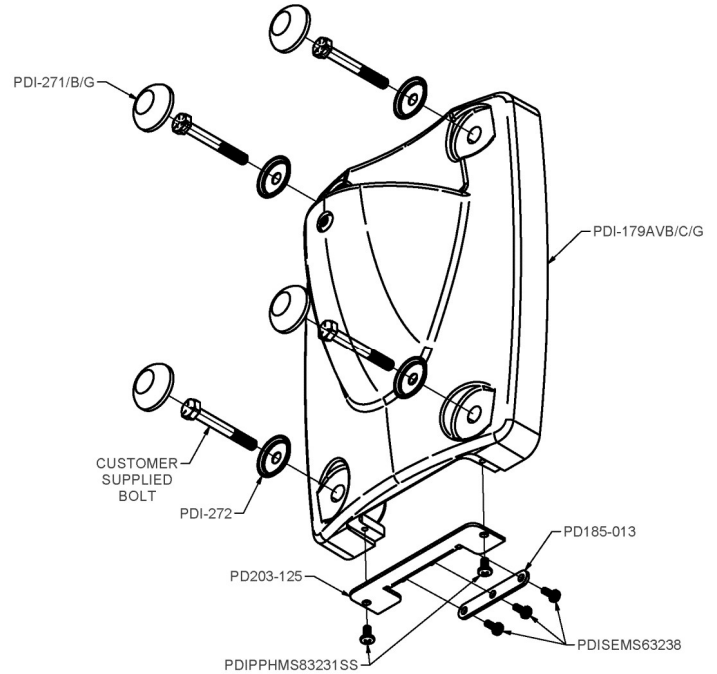


PDI-179AV PARTS ASSEMBLY:



CONNECT AV PLATE GROUNDING LUG TO CASTING GROUND AND BUILDING EARTH GROUND.

PDI-179AV5 PARTS ASSEMBLY:



CONNECT AV PLATE GROUNDING LUG TO CASTING GROUND AND BUILDING EARTH GROUND.

PDI-179AV5 Cable Clamp Installation:

PDI-179AV5 allows for use of any combination of cables.

1. Install wall mount bracket to wall, before making cable connections.
2. Connect cables from the PDi arm to appropriate building cables. Wrench tighten coax connections.
3. Clamp cables using PD203-125 & PD185-013.
4. Insert cable connections and excess cable length behind the wall mount bracket and attached the cable clamp plates into bottom of wall bracket, and secure with supplied PDIPPHMS83231SS screws.

OTHER MOUNTING METHODS

There are other methods to mount the Wall Mount Bracket, but the PREFERRED mounting is a backer plate system as described. The mounting method used must meet the requirements as described on Page 3 of this document. The following mounting methods may be used if the previously listed precautions are adhered to.

1. **SOLID CONTRUCTION WALLS** – Concrete, brick, and some types of cement block, cement expansion anchors can be used.



Special tests should be performed on the wall before installation of the expansion anchors in the area of the mounting location. Proof test the load for the anchors to the manufacturer's specifications in tension.

It is the responsibility of the architect and/or structural engineer, in charge of the project, to sign and submit the necessary calculations that show the adequacy of the wall where the TV arm and mount will be installed. Drill four holes, which correspond to

PDi Communication Systems, Inc. • 40 Greenwood Ln • Springboro, Ohio 45066 USA • www.pdiarm.com and www.mymedTV.com • Phone 800.628.9870





MODEL: PDI-179AV-B, -C, -G
 PDI-179AV5-B, -C, -G
 Product Name: A/V WALL MOUNT
 (Wall Bracket)

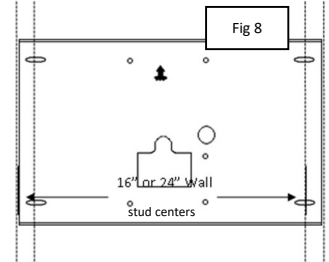
Document Number:
 PD196-396R3

Installation Guide

Page 6 of 6

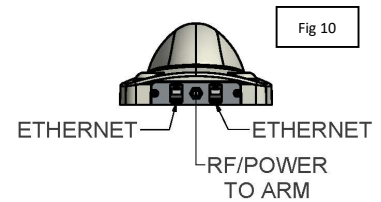
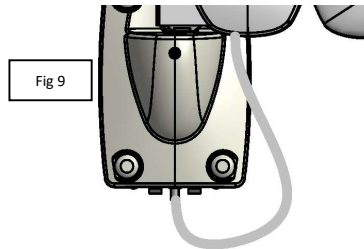
the mounting hole pattern, to the manufacturer's specifications of the chosen mounting fastener. Install four HILTI, or equivalent, cement anchors per the manufacturer's installation procedure. Position the wall bracket over the exposed mounting holes/studs. Thread bolt and washer through bracket and into hole or nut and washers over studs. Tighten all bolts.

- ABRICATED BACKING PLATE** – A fabricated plate is used that holds welded-on or pressed-in inserts. The studs (1/4"-20UNC-2A) would be located on hole centers that coincide with the wall bracket. The plate is then secured to the wall studs. Prefabricated plates are available from PDI. The internal backing plates are, PDI-254I (16" studs) or PDI-254I-24 (24" studs). External backing plates are ordered by color, PDI-255E-B, -C, -G (16" studs) or PDI-255E-24-B, -C, -G (24" studs). Consult the backer plate instructions packed with each plate for installation details.



REFER TO FIGURES 9 and 10:

- Attach coaxial cable from ARM to "F" fitting and wrench tighten to 15-20 in-lb.
- Connect Ethernet connection(s)



APPENDIX

KWIK BOLT 3 EXPANSION ANCHOR

Installation Information Strength Design

Setting Information	Units	Nominal anchor diameter	
		1/4	3/8
Effective min embedment	IN	1-1/2	2
	(mm)	(38)	(51)
Min hole depth	IN	2	2-5/8
	(mm)	(51)	(67)
Installation torque	Ft-lb	4	20
	(Nm)	(5)	(27)

Carbon Steel KB3 Strength Design

Design Information	Units	Nominal anchor diameter	
		1/4	3/8
Effective min. embedment	IN	1-1/2	2
	(mm)	(38)	(51)
Min. hole depth in concrete	IN	2	2-5/8
	(mm)	(51)	(67)
Pullout strength uncracked concrete	Lb	1,575	NA
	(kN)	(7.0)	
Pullout strength concrete on metal deck	Lb	1,750	2,245
	(kN)	(7.8)	(10.0)
Installation torque	Ft-lb	4	20
	(Nm)	(5)	(27)

SNAPTOGGLE® HEAVY-DUTY HOLLOW-WALL ANCHORS

Anchor	UNC thread	Drill dia.	1/2" Drywall	5/8" Drywall	*1/2" w/ 25 gauge stud	*5/8" w/ 25 gauge stud	Concrete block	1/2" steel plate	Stainless in 3
BB	3/4"-20	1/2"	265	356	425	464	1,080	1,288	1,735