

	MODEL NUMBER: PD153-004-B, C, or G Horizontal Boom	Document Number: PD196-206R4
	Installation and Safety Instructions	Page 1 of 1

	This symbol indicates that dangerous voltage constituting a risk of electric shock is present within this unit.
	This symbol indicates that there are important operating and maintenance instructions in the literature accompanying this unit.

	<div style="border: 2px solid black; padding: 5px; display: inline-block;"> CAUTION RISK OF ELECTRIC SHOCK DO NOT OPEN </div>	
CAUTION: TO REDUCE THE RISK OF ELECTRIC SHOCK, DO NOT REMOVE COVER. NO USER SERVICEABLE PARTS INSIDE. REFER SERVICING TO QUALIFIED SERVICE PERSONNEL.		

THIS INSTALLATION SHOULD BE MADE BY A QUALIFIED SERVICE PERSON AND SHOULD CONFORM TO ALL LOCAL CODES. READ AND FOLLOW THE SAFETY INSTRUCTIONS BEFORE ATTEMPTING THIS INSTALLATION.

Note to CATV installer: This reminder is provided to call the CATV system installer's attention to Article 820-40 of the NEC that provides guidelines for proper grounding and, in particular, specifies that the cable ground shall be connected to the grounding system of the building, as close to the point of cable entry into the room as practical.

WARNING: OXYGEN ENVIRONMENT
DO NOT use in an oxygen tent or oxygen chamber. Such use may cause a fire hazard.

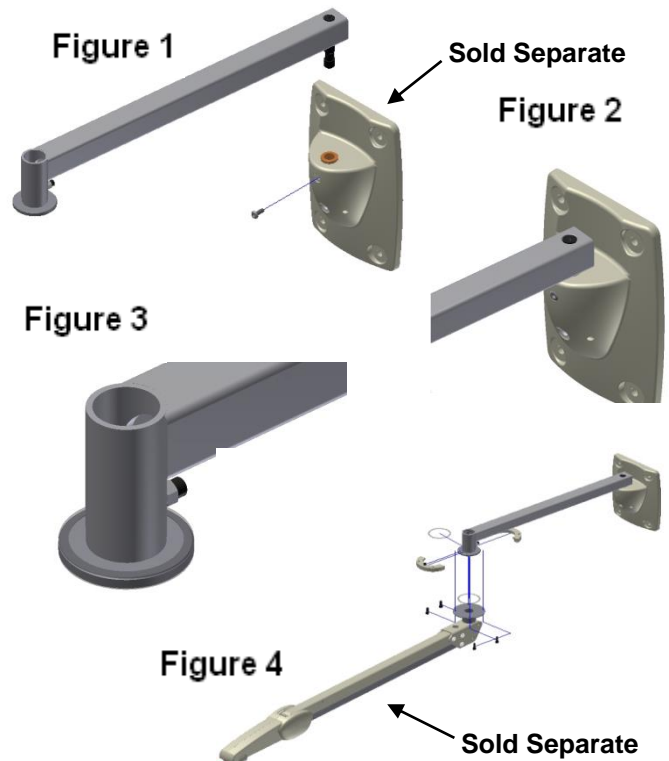
DANGER: ARM RECOIL HAZARD The safety brake pin must remain in the SAFETY BRAKE PIN HOLE whenever the television set is removed from the arm or when the arm is removed from the wall bracket to prevent the arm from springing open.

WARNING: To avoid the hazards of fire or electric shock, DO NOT expose this TV to rain or moisture.

INSTALL ARM & TV

This Arm is specifically designed to support a **P14 & P19** series TV. Use of the arm with any other sized TV is NOT recommended.

1. Remove pilfer proofing screw.
2. Place the arm's base pin into the wall bracket. The base pin should seat snug in the wall bracket (Figure 1).
3. Tighten the wall bracket pilfer screw (Figure 2).
4. Slip a (PDI-586) shim washer over the mounting flange as pictured in Figure 3. Lubricate shim washer.
5. Remove the four ¼-20 socket head bolts from the swivel collar (PDI-589 SC).
6. Hold the plastic shim washer (PDI-586) (Figure 3) against the bottom of the arm section. Be sure it does not overlap the swivel collar. Lubricate shim washer. Hold the arm assembly against the bottom of the inner tube. Thread locking compound LOCTITE® #242 (Blue) must be used on the ¼-20 socket head bolts. Slide the ¼-20 socket head bolts through the swivel cap (PDI-588) and thread back into the swivel collar (PDI-589 SC). Tighten the ¼-20 socket head bolts to the torque of 10 ft-lbs. (Figure 4).
7. Starting at wall bracket end of PD153-004, drop a fish wire through the horizontal arm section. Be sure to route the wire through a shim washer (PDI-586). Pull cables through.
8. Install the TV per the specific model installation instructions supplied with that TV.
9. The cable from the arm should be joined with the television cable, wrench tightened, and the connection covered by sliding the plastic boot sections into mating position.
10. Reinstall nose cover using two 8-32 X ½ Phillips flathead machine screws.
11. Connect the coaxial cable at the base of the arm to the wall bracket "F" fitting. Wrench tighten.
12. Cycle the arm once or twice to check for free movement – if stiff, a slight loosening of the single friction screw will free the movement. DO NOT LOOSEN MORE THAN 1/16 TURN.
13. Power the TV and verify correct operation. Refer to the instructions packed with the TV for programming and operation details.



Note: Boom Arm may not mate with all models of PDI ceiling mounted arms. Please confirm with your PDI representative which arms will mate with this boom mount.