

**SPECIFICATIONS**

**GENERAL:**

The surface drainage system shall be 7000 Series Slot Drain complete with slotted linear trench opening as manufactured by Slot Drain Systems.

**MATERIALS:**

T304 Stainless Steel, T316 Stainless Steel

**SLOPE:**

0.5% Standard

**DESIGN OPTIONS:**

Material (\$): SS304(5), SS316(6)  
Slot Opening (#): ½" (0), 1" (1), 1 ¼" (5)  
End (\*): Open (0), End Cap (1), Flush Nipple (5)  
Section Lengths: Full 9'8", Half 4'10"  
(Customize Lengths available).

**FLOW RATE:**

½" 11 gpm (per foot of drain)  
1 18 gpm (per foot of drain)  
1 ¼" 27 gpm (per foot of drain)

**LOAD CLASS:**

Load Class C

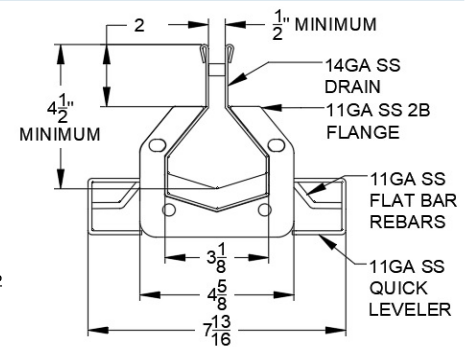
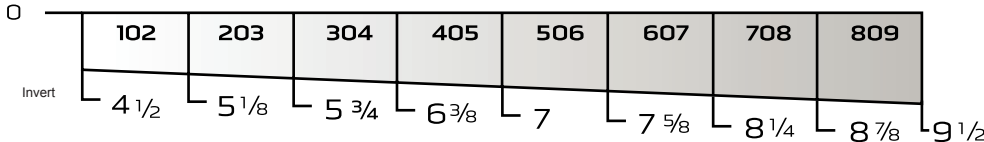
**ACCESSORIES:**

Cleaning paddle, Flush Flo

**INSTALLATION:**

The 7000 Series Slot Drain System shall be installed in accordance with the manufacturer's installation instructions and recommendations.

TYPICAL MODULAR LAYOUT OF A 6000 SERIES SLOT DRAIN<sup>®</sup> SYSTEM  
(Sections fit together as illustrated below)



**DRAIN CHANNELS**

DESCRIPTION	PART NO.	INVERT SHALLOW INCHES	INVERT DEEP INCHES
7000 SERIES SS SLOT 102 HALF	SD7\$*# - 102B	4 13/16	5 1/8
7000 SERIES SS SLOT 102	SD7\$*# - 102	4 1/2	5 1/8
7000 SERIES SS SLOT 203	SD7\$*# - 203	5 1/8	5 3/4
7000 SERIES SS SLOT 304	SD7\$*# - 304	5 3/4	6 3/8
7000 SERIES SS SLOT 405	SD7\$*# - 405	6 3/8	7
7000 SERIES SS SLOT 506	SD7\$*# - 506	7	7 5/8
7000 SERIES SS SLOT 607	SD7\$*# - 607	7 5/8	8 1/4
7000 SERIES SS SLOT 708	SD7\$*# - 708	8 1/4	8 7/8
7000 SERIES SS SLOT 809	SD7\$*# - 809	8 7/8	9 1/2

**NOTE:**

Also available with 90° sections, 'T' sections, and Transition Pits for all of the depths specified above.

**CATCH BASIN**

LID: STANDARD AND PAN-LID OPTIONS ARE AVAILABLE AND STRAINER IS PART OF THE CATCH BASIN

DESCRIPTION	TOP WIDTH INCHES	TOP LENGTH INCHES	BOTTOM WIDTH INCHES	BOTTOM LENGTH INCHES	HEIGHT INCHES	OUTLET SIZE INCHES
7000 SS CB SMALL	6	6	6	6	12	4
7000 SS CB MEDIUM	6	12	6	12	12	4
7000 SS CB LARGE	12	12	12	12	20 1/8	4 or 6

SPECIFYING ENGINEER IS RESPONSIBLE FOR CONCRETE ENCASEMENT AND REINFORCING BASED UPON APPLICATION AND LOCAL CODES. SLOT DRAIN SYSTEMS RESERVES THE RIGHT TO CHANGE THE PRODUCT AND SPECIFICATIONS WITHOUT NOTICE