

SPECIFICATIONS

GENERAL:

The surface drainage system shall be 6000 Series Slot Drain complete with slotted linear trench opening as manufactured by Slot Drain Systems.

DESIGN OPTIONS:

Slot Opening (#): ½" (0), 1" (1), 1 ¼" (5)
End (*): Open (0), End Cap (1), Flush Nipple (5)
Section Lengths: Full 9'8", Half 4'10"
Typical runs start with 102 or 102B (Half Section).

LOAD CLASS:

Load Class C

ACCESSORIES:

Cleaning paddle, Cleaning Brush, Flush Flo, CIP

MATERIALS:

T304 Stainless Steel, T316 Stainless Steel,

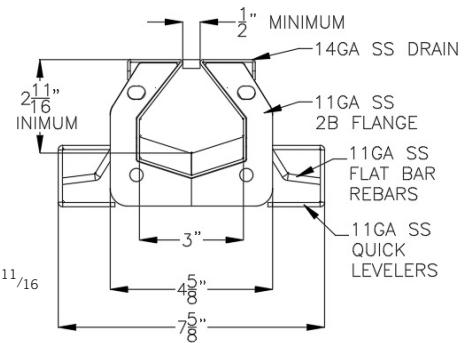
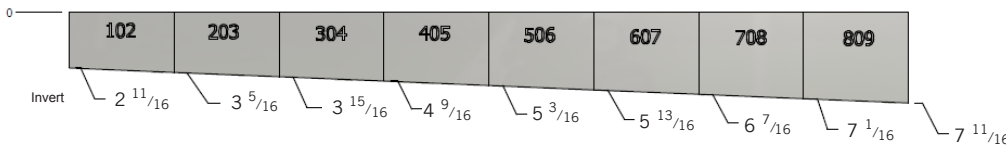
FLOW RATE:

½" 11 gpm (per foot of drain)
1 18 gpm (per foot of drain)
1 ¼" 27 gpm (per foot of drain)

INSTALLATION:

The 6000 Series Slot Drain System shall be installed in accordance with the manufacturer's installation instructions and recommendations.

TYPICAL MODULAR LAYOUT OF A 6000 SERIES SLOT DRAIN[®] SYSTEM
(Sections fit together as illustrated below)



DRAIN CHANNELS

DESCRIPTION	PART NO.	INVERT SHALLOW		INVERT DEEP	
		INCHES	MM	INCHES	MM
6000 SERIES SS SLOT 102 HALF	SD65#* - 102B	3	76.2	3 5/16	84.14
6000 SERIES SS SLOT 102	SD65# - 102	2 11/16	68.26	3 5/16	84.14
6000 SERIES SS SLOT 203	SD65# - 203	3 5/16	84.14	3 15/16	100
6000 SERIES SS SLOT 304	SD65# - 304	3 15/16	100	4 9/16	115.89
6000 SERIES SS SLOT 405	SD65# - 405	4 9/16	115.89	5 3/16	131.76
6000 SERIES SS SLOT 506	SD65# - 506	5 3/16	131.76	5 13/16	147.64
6000 SERIES SS SLOT 607	SD65# - 607	5 13/16	147.64	6 7/16	163.51
6000 SERIES SS SLOT 708	SD65# - 708	6 7/16	163.51	7 1/16	179.39
6000 SERIES SS SLOT 809	SD65# - 809	7 1/16	179.39	7 11/16	195.26

NOTE:

Also available with 90° sections, 'T' sections, and Transition Pits for all of the depths specified above.

CATCH BASIN LID: STANDARD AND PAN-LID OPTIONS ARE AVAILABLE

DESCRIPTION	TOP WIDTH		TOP LENGTH		BOTTOM WIDTH		BOTTOM LENGTH		HEIGHT		OUTLET SIZE	
	INCHES	MM	INCHES	MM	INCHES	MM	INCHES	MM	INCHES	MM	INCHES	MM
6000 SS CB SMALL	6	152	6	152	6	152	6	152	12	305	4 or 6	102 - 152.4
6000 SS CB MEDIUM	6	152	12	305	6	152	12	305	12	305	4 or 6	102 - 152.4
6000 SS CB LARGE	12	305	12	305	12	305	12	305	20 1/8	511	4 or 6	102 - 152.4

SPECIFYING ENGINEER IS RESPONSIBLE FOR CONCRETE ENCASEMENT AND REINFORCING BASED UPON APPLICATION AND LOCAL CODES. SLOT DRAIN SYSTEMS RESERVES THE RIGHT TO CHANGE THE PRODUCT AND SPECIFICATIONS WITHOUT NOTICE