

SPECIFICATIONS

GENERAL:

The surface drainage system shall be 6000-PLUS Series FoodSafe Slot Drain complete with slotted linear trench opening as manufactured by FoodSafe Drains.

MATERIALS:

T304 Stainless Steel, T316 Stainless Steel,

SLOPE:

0.5% Standard

DESIGN OPTIONS:

Material (\$): SS304(5), SS316(6)
Slot Opening (#): ½" (0), 1" (1), 1 ¼" (5)
End (*): Open (0), End Cap (1), Flush Nipple (5)
Section Lengths: Full 9'8", Half 4'10"
(Customized Lengths available).

FLOW RATE:

½" 11 gpm (per foot of drain)
1 18 gpm (per foot of drain)
1 ¼" 27 gpm (per foot of drain)

LOAD CLASS:

Load Class C

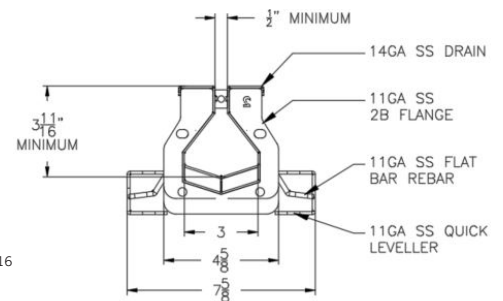
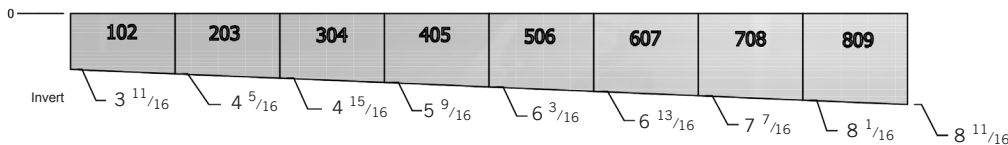
ACCESSORIES:

Cleaning paddle, Cleaning Brush, Flush Flo, CIP, Slot Hog, Tri-Clamp

INSTALLATION:

The 6000-PLUS Series FoodSafe Slot Drain System shall be installed in accordance with the manufacturer's installation instructions and recommendations.

TYPICAL MODULAR LAYOUT OF A 6000-PLUS SERIES FOODSAFE SLOT DRAIN® SYSTEM
(Sections fit together as illustrated below)



DRAIN CHANNELS

DESCRIPTION	PART NO.	INVERT SHALLOW		INVERT DEEP	
		INCHES	MM	INCHES	MM
6000-PLUS SERIES SS SLOT 102 HALF	SD6\$*#P-102B	4	102	4 5/16	110
6000-PLUS SERIES SS SLOT 102	SD6\$*#P-102	3 11/16	94	4 5/16	110
6000-PLUS SERIES SS SLOT 203	SD6\$*#P-203	4 5/16	110	4 15/16	125
6000-PLUS SERIES SS SLOT 304	SD6\$*#P-304	4 15/16	125	5 9/16	141
6000-PLUS SERIES SS SLOT 405	SD6\$*#P-405	5 9/16	141	6 3/16	157
6000-PLUS SERIES SS SLOT 506	SD6\$*#P-506	6 3/16	157	6 13/16	173
6000-PLUS SERIES SS SLOT 607	SD6\$*#P-607	6 13/16	173	7 7/16	189
6000-PLUS SERIES SS SLOT 708	SD6\$*#P-708	7 7/16	189	8 1/16	205
6000-PLUS SERIES SS SLOT 809	SD6\$*#P-809	8 1/16	205	8 11/16	221
6000-PLUS SERIES SS SLOT 9010	SD6\$*#P - 9010	8 11/16	221	8 11/16	237
6000-PLUS SERIES SS SLOT 10011	SD6\$*#P - 10011	9 5/16	237	9 5/16	252

NOTE:

Also available with 90° sections, 'T' sections, and Transition Pits for all of the depths specified above.

CATCH BASIN

DESCRIPTION	TOP WIDTH		TOP LENGTH		BOTTOM WIDTH		BOTTOM LENGTH		HEIGHT		OUTLET SIZE	
	INCHES	MM	INCHES	MM	INCHES	MM	INCHES	MM	INCHES	MM	INCHES	MM
6000 SS CB SMALL	6	152	6	152	6	152	6	152	12	305	4 or 6	102 - 152.4
6000 SS CB MEDIUM	6	152	12	305	6	152	12	305	12	305	4 or 6	102 - 152.4
6000 SS CB LARGE	12	305	12	305	12	305	12	305	20 1/8	511	4 or 6	102 - 152.4

SPECIFYING ENGINEER IS RESPONSIBLE FOR CONCRETE ENCASEMENT AND REINFORCING BASED UPON APPLICATION AND LOCAL CODES. SLOT DRAIN SYSTEMS RESERVES THE RIGHT TO CHANGE THE PRODUCT AND SPECIFICATIONS WITHOUT NOTICE