

SPECIFICATIONS

GENERAL:

The surface drainage system shall be 3000 Series Slot Drain complete with slotted linear trench opening as manufactured by Slot Drain Systems.

MATERIALS:

- T304 / T316 Stainless Steel Lip
- PVC Plastic Body

DESIGN OPTIONS:

Slot Opening (#): 1/2" (0)
End (*): Open (0), End Cap (1), Flush Nipple (5)
Section Lengths: 40" and 24"
All Neutral Drain Sections

FLOW RATE:

1/2" 11 gpm (per foot of drain)

LOAD CLASS:

Load Class A

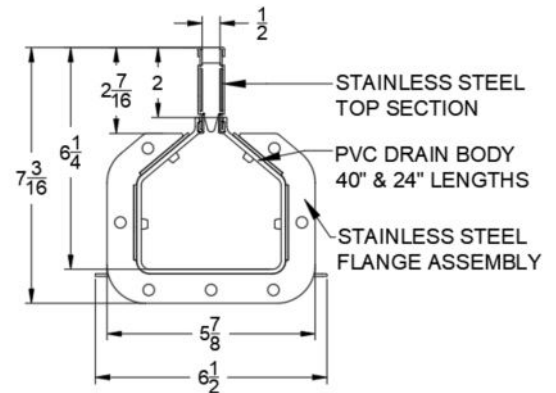
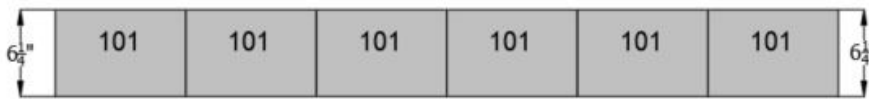
ACCESSORIES:

Cleaning paddle, Flush Flo

INSTALLATION:

The 3000 Series Slot Drain System shall be installed in accordance with the manufacturer's installation instructions and recommendations.

TYPICAL PROFILE OF A 3000 SERIES SLOT DRAIN[®] SYSTEM



DRAIN CHANNELS

DESCRIPTION	PART NO.	INVERT DEPTH	
		INCHES	MM
3000 SERIES PVC SLOT - 2" TOP	SD35#*-101-2	6 1/4	159
3000 SERIES PVC SLOT - 3" TOP	SD35#*-101-3	7	178

CATCH BASIN

DESCRIPTION	TOP WIDTH		TOP LENGTH		BOTTOM WIDTH		BOTTOM LENGTH		HEIGHT		OUTLET HEIGHT	
	INCHES	MM	INCHES	MM	INCHES	MM	INCHES	MM	INCHES	MM	INCHES	MM
3000 SS CB LARGE	6	152	12	305	6	152	12	305	12 1/16	306	4 or 6	102 - 152.4
3000 SS CB SMALL	6	152	6	152	6	152	6	152	12 1/16	306	4 or 6	102 - 152.4

SPECIFYING ENGINEER IS RESPONSIBLE FOR CONCRETE ENCASUREMENT AND REINFORCING BASED UPON APPLICATION AND LOCAL CODES. SLOT DRAIN SYSTEMS RESERVES THE RIGHT TO CHANGE THE PRODUCT AND SPECIFICATIONS WITHOUT NOTICE