

SPECIFICATIONS

GENERAL:

The surface drainage system shall be 10,000 Series FoodSafe Slot Drain complete with slotted linear trench opening as manufactured by FoodSafe Drains.

MATERIALS:

T304 Stainless Steel, T316 Stainless Steel

SLOPE:

0.5% Standard

DESIGN OPTIONS:

Material (\$): SS304(5), SS316(6)
Slot Opening (#): ½" (0), 1" (1), 1 ¼" (5)
End (*): Open (0), End Cap (1), Flush Nipple (5)
Section Lengths: Full 9'8", Half 4'10"
(Customize Lengths available).

FLOW RATE:

½" 11 gpm (per foot of drain)
1 18 gpm (per foot of drain)
1 ¼" 27 gpm (per foot of drain)

LOAD CLASS:

Load Class E

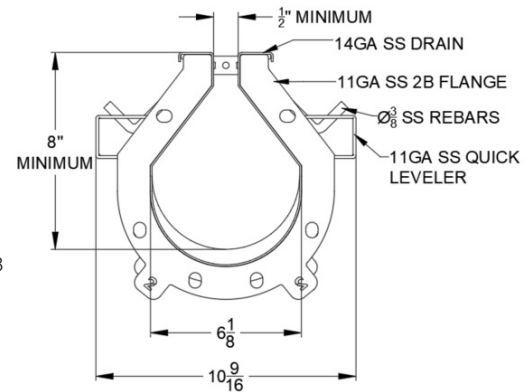
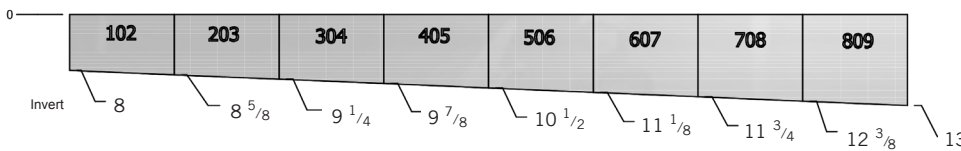
ACCESSORIES:

Cleaning paddle, Cleaning Brush, Flush Flo, CIP, Slot Hog, Tri-Clamp

INSTALLATION:

The 10,000 Series Slot Drain System shall be installed in accordance with the manufacturer's installation instructions and recommendations.

TYPICAL MODULAR LAYOUT OF A 10,000 SERIES FOODSAFE SLOT DRAIN® SYSTEM
(Sections fit together as illustrated below)



DRAIN CHANNELS

DESCRIPTION	PART NO.	INVERT SHALLOW		INVERT DEEP	
		INCHES	MM	INCHES	MM
10000 SERIES SS SLOT 102 HALF	SD10\$*#L-102B	8 5/16	211	8 5/8	219
10000 SERIES SS SLOT 102	SD10\$*#L-102	8	203	8 5/8	219
10000 SERIES SS SLOT 203	SD10\$*#L-203	8 5/8	219	9 1/4	234
10000 SERIES SS SLOT 304	SD10\$*#L-304	9 1/4	234	9 7/8	250
10000 SERIES SS SLOT 405	SD10\$*#L-405	9 7/8	250	10 1/2	266
10000 SERIES SS SLOT 506	SD10\$*#L-506	10 1/2	266	11 1/8	282
10000 SERIES SS SLOT 607	SD10\$*#L-607	11 1/8	282	11 3/4	298
10000 SERIES SS SLOT 708	SD10\$*#L-708	11 3/4	298	12 3/8	314
10000 SERIES SS SLOT 809	SD10\$*#L-809	12 3/8	314	13	330
10000 SERIES SS SLOT 9010	SD10\$*#L-9010	13	330	13 5/8	346
10000 SERIES SS SLOT 10011	SD10\$*#L-10011	13 5/8	346	14 1/4	362

NOTE:

Also available with 90° sections, 'T' sections, and Transition Pits for all of the depths specified above.

CATCH BASIN

DESCRIPTION	TOP WIDTH		TOP LENGTH		BOTTOM WIDTH		BOTTOM LENGTH		HEIGHT		OUTLET SIZE	
	INCHES	MM	INCHES	MM	INCHES	MM	INCHES	MM	INCHES	MM	INCHES	MM
10000 SS SMALL	12 3/8	314	12 3/8	314	12 3/8	314	12 3/8	314	16 5/8	422	4 or 6	102 - 152
10000 SS LARGE	12 3/8	314	12 3/8	314	12 3/8	314	12 3/8	314	20 3/8	513	4 or 6	102 - 152

SPECIFYING ENGINEER IS RESPONSIBLE FOR CONCRETE ENCASEMENT AND REINFORCING BASED UPON APPLICATION AND LOCAL CODES. SLOT DRAIN SYSTEMS RESERVES THE RIGHT TO CHANGE THE PRODUCT AND SPECIFICATIONS WITHOUT NOTICE