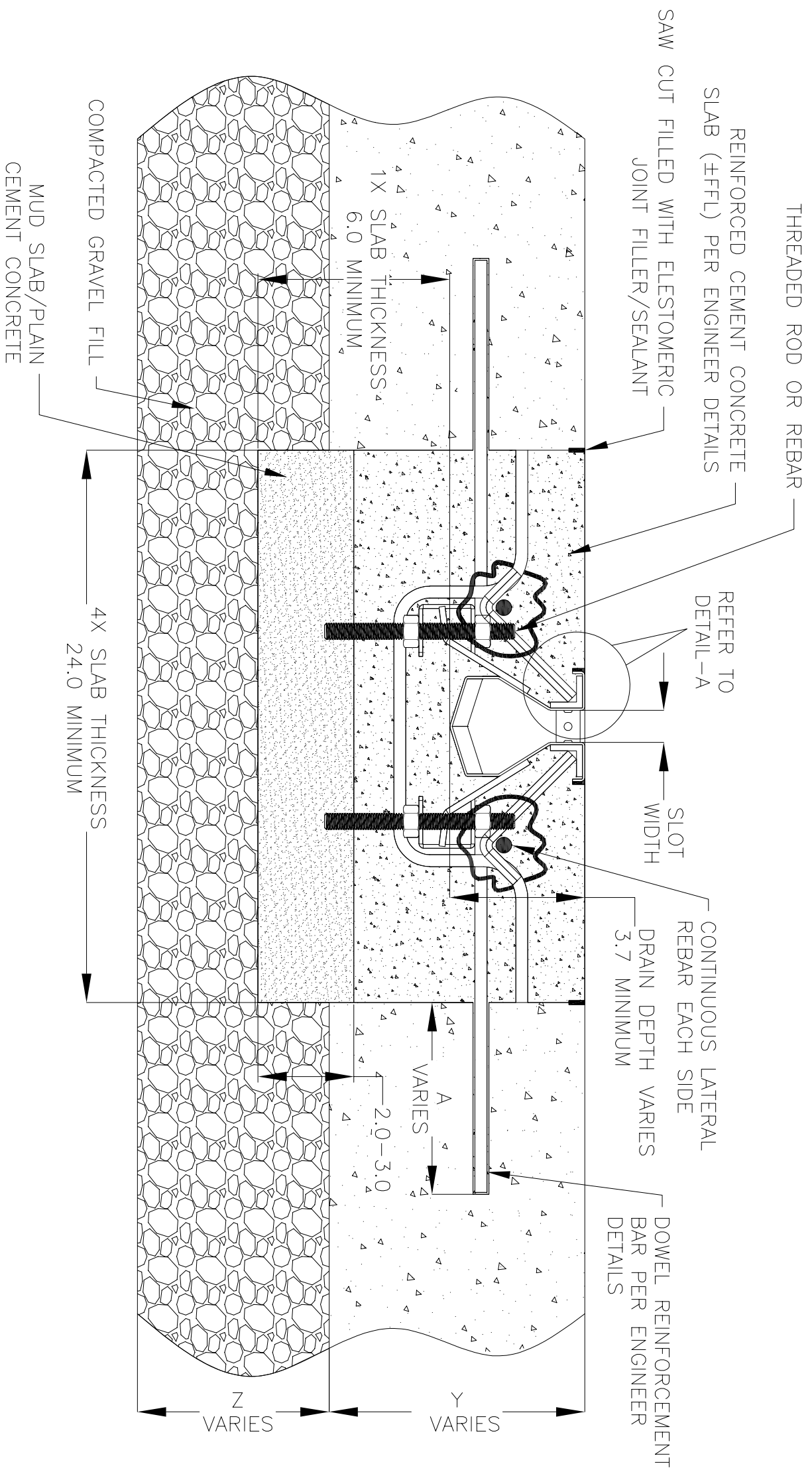
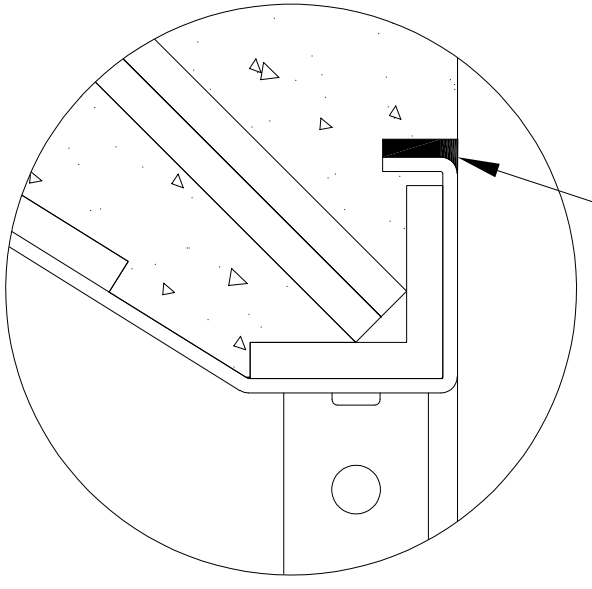
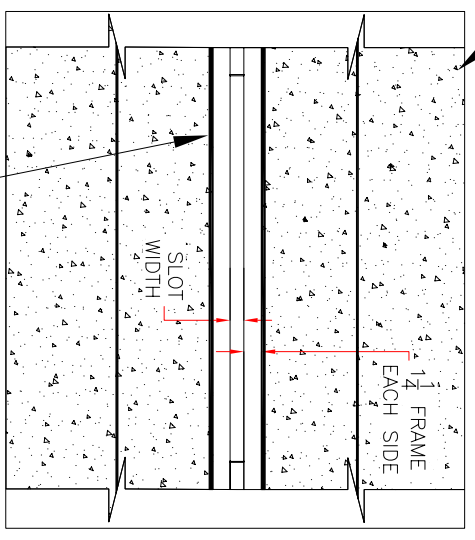


NOTES: UNLESS OTHERWISE SPECIFIED

1. ALL DIMENSIONS ARE IN INCHES.
2. DRAIN BODY MATERIAL: 14GA STAINLESS STEEL T304/T316
3. SPECIFYING ENGINEER IS RESPONSIBLE FOR CONCRETE ENCASEMENT AND REINFORCING BASED UPON APPLICATION AND LOCAL CODES.
4. REFER TO <https://info.slotdrainsystems.com/installresources> FOR INSTALLATION INSTRUCTIONS.



REINFORCED CEMENT CONCRETE SLAB (\pm FFL) PER ENGINEER DETAILS



6000PR SERIES SLOT DRAIN INSTALLATION DETAILS

REVISIONS			
REV	DESCRIPTION	DATE	BY
0	INITIAL RELEASE - R0	12/2/2020	DK
1	UPDATED THE REBAR DETAILS	7/14/2021	DK

ALL DRAWINGS ARE THE EXCLUSIVE PROPERTY OF SLOT DRAIN SYSTEMS. ANY REPRODUCTION IN PART OR IN WHOLE IS PROHIBITED WITHOUT PROPER CONSENT.

SLOT DRAIN
SYSTEMS

855.497.7508
info@slotdrainsystems.com
www.slotdrainsystems.com

DRAWING TITLE		CONCRETE FLOOR-RETROFIT INSTALLATION	
DRAIN SERIES		6000PR SERIES SLOT DRAIN	
DWG NO.	SIZE	SCALE	SHEET
IN-SD6000PR-101-R1	B	NTS	1 OF 1
REV.		1	