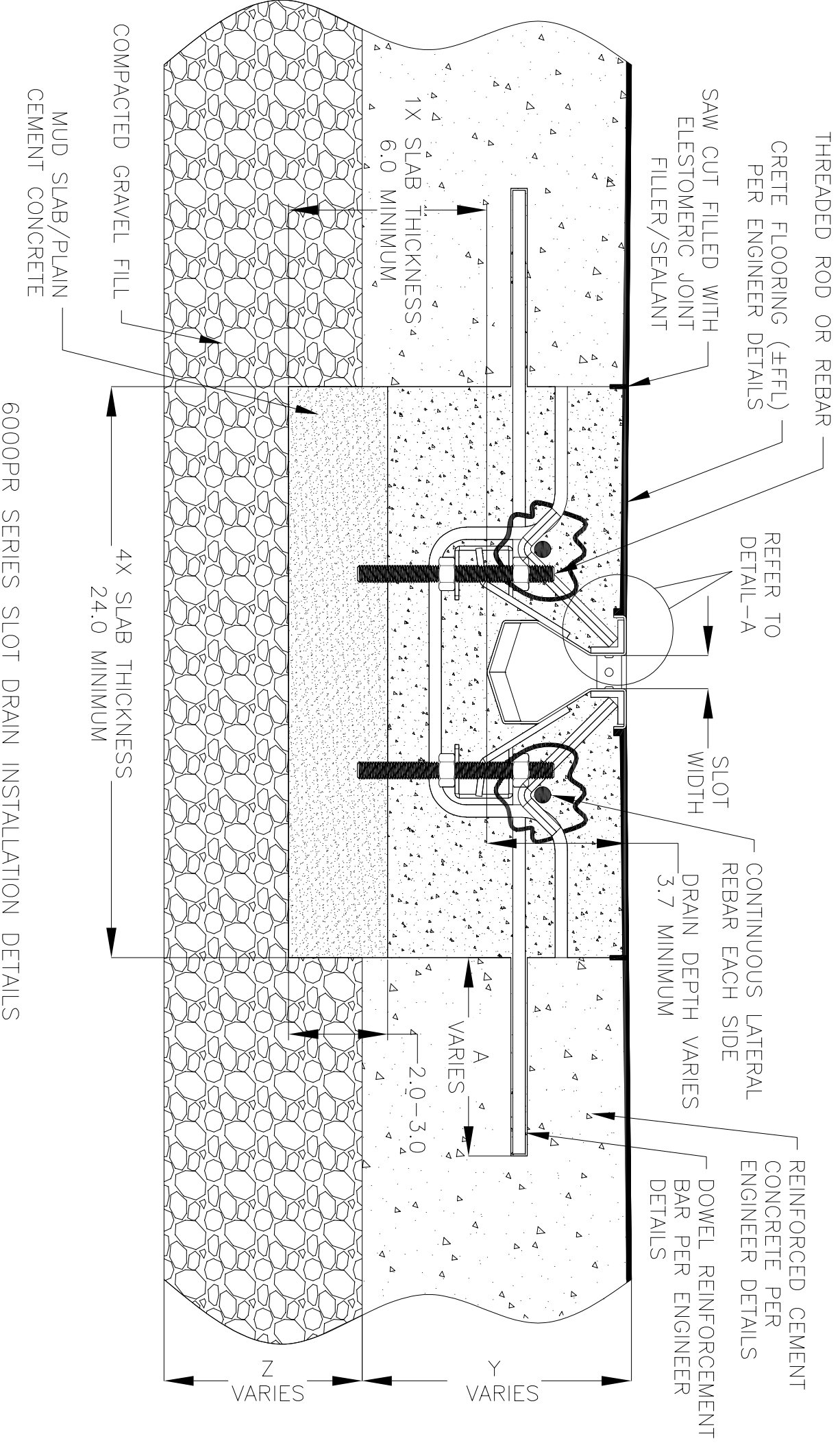


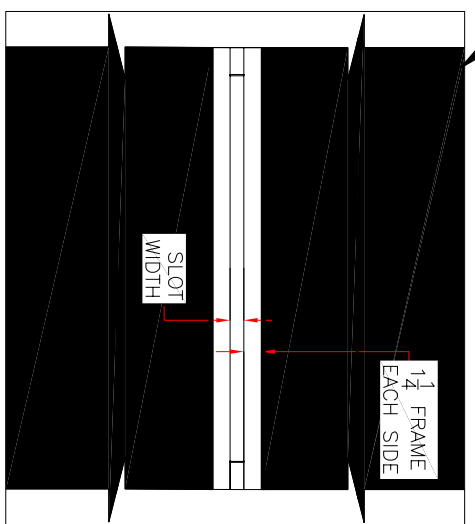
NOTES: UNLESS OTHERWISE SPECIFIED

1. ALL DIMENSIONS ARE IN INCHES.
2. DRAIN BODY MATERIAL: 14GA STAINLESS STEEL T304/T316
3. SPECIFYING ENGINEER IS RESPONSIBLE FOR CONCRETE ENCASUREMENT AND REINFORCING BASED UPON APPLICATION AND LOCAL CODES.
4. REFER TO <https://info.slotdrainsystems.com/installresources> FOR INSTALLATION INSTRUCTIONS.

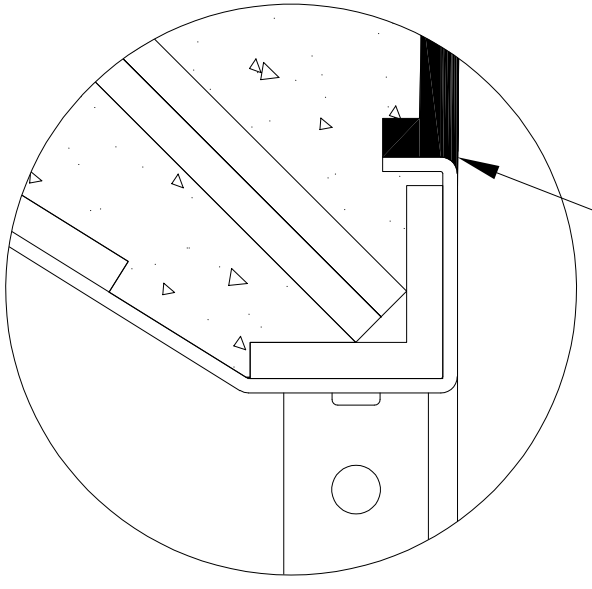


6000PR SERIES SLOT DRAIN INSTALLATION DETAILS

CRETE FLOORING (±FFL) PER ENGINEER DETAILS



PLAN VIEW



DETAIL-A

REVISIONS		DATE	BY
REV	DESCRIPTION		
0	INITIAL RELEASE - R0	12/2/2020	DK
1	UPDATED THE REBAR DETAILS	7/14/2021	DK

SLOT DRAIN
SYSTEMS

855.497.7508
info@slotdrainsystems.com
www.slotdrainsystems.com

DRAWING TITLE			
CRETE FLOOR-RETROFIT INSTALLATION			
DRAIN SERIES			
6000PR SERIES SLOT DRAIN			
DWG NO.	SIZE	SCALE	SHEET
IN-SD6000PR-100-R1	B	NTS	1 OF 1
ALL DRAWINGS ARE THE EXCLUSIVE PROPERTY OF SLOT DRAIN SYSTEMS. ANY REPRODUCTION IN PART OR IN WHOLE IS PROHIBITED WITHOUT PROPER CONSENT.			REV.
			1