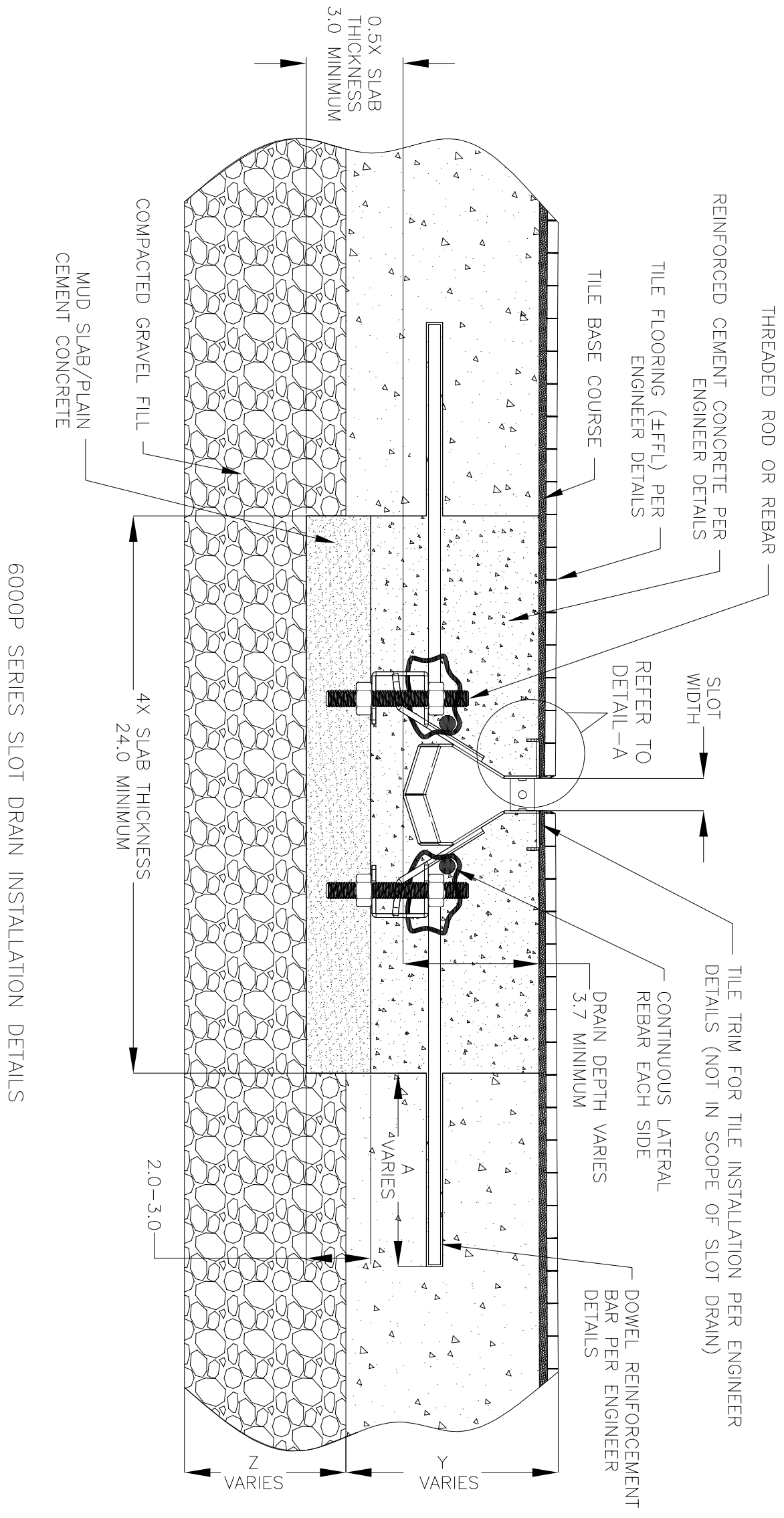


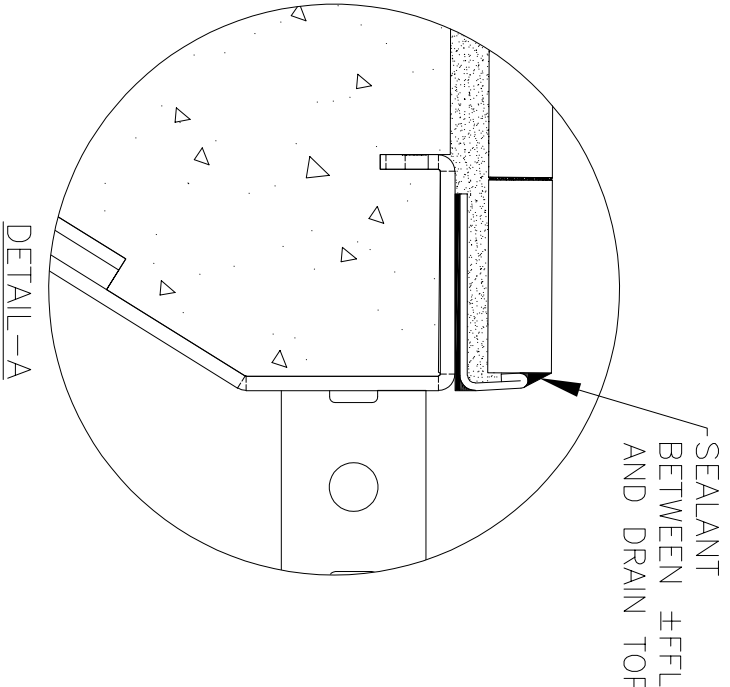
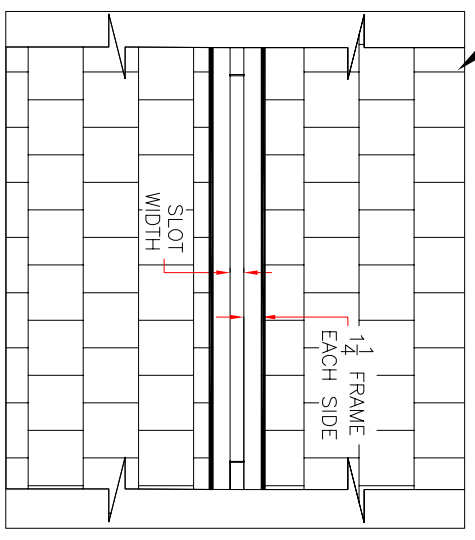
NOTES: UNLESS OTHERWISE SPECIFIED

1. ALL DIMENSIONS ARE IN INCHES.
2. DRAIN BODY MATERIAL: 14GA STAINLESS STEEL T304/T316
3. SPECIFYING ENGINEER IS RESPONSIBLE FOR CONCRETE ENCASEMENT AND REINFORCING BASED UPON APPLICATION AND LOCAL CODES.
4. REFER TO <https://info.slotdrainsystems.com/installresources> FOR INSTALLATION INSTRUCTIONS.



6000P SERIES SLOT DRAIN INSTALLATION DETAILS

TILE FLOORING (±FFL) PER ENGINEER DETAILS



REVISIONS			
REV	DESCRIPTION	DATE	BY
0	INITIAL RELEASE - R0	8/6/2019	DK
1	UPDATED THE DRAIN SECTION	11/19/2019	DK
2	UPDATED THE DRAIN LAYOUT	12/2/2020	DK
2	UPDATED THE REBAR DETAILS	7/14/2021	DK

**SLOT DRAIN SYSTEMS**  
855.497.7508  
info@slotdrainsystems.com  
www.slotdrainsystems.com

DRAWING TITLE			
TILE FLOOR-RETROFIT INSTALLATION			
DRAIN SERIES	6000P SERIES SLOT DRAIN	REV.	3
DWG NO.	IN-SD6000P-101-R3	SIZE	B
		SCALE	NTS
		SHEET	1 OF 1

ALL DRAWINGS ARE THE EXCLUSIVE PROPERTY OF SLOT DRAIN SYSTEMS. ANY REPRODUCTION IN PART OR IN WHOLE IS PROHIBITED WITHOUT PROPER CONSENT.