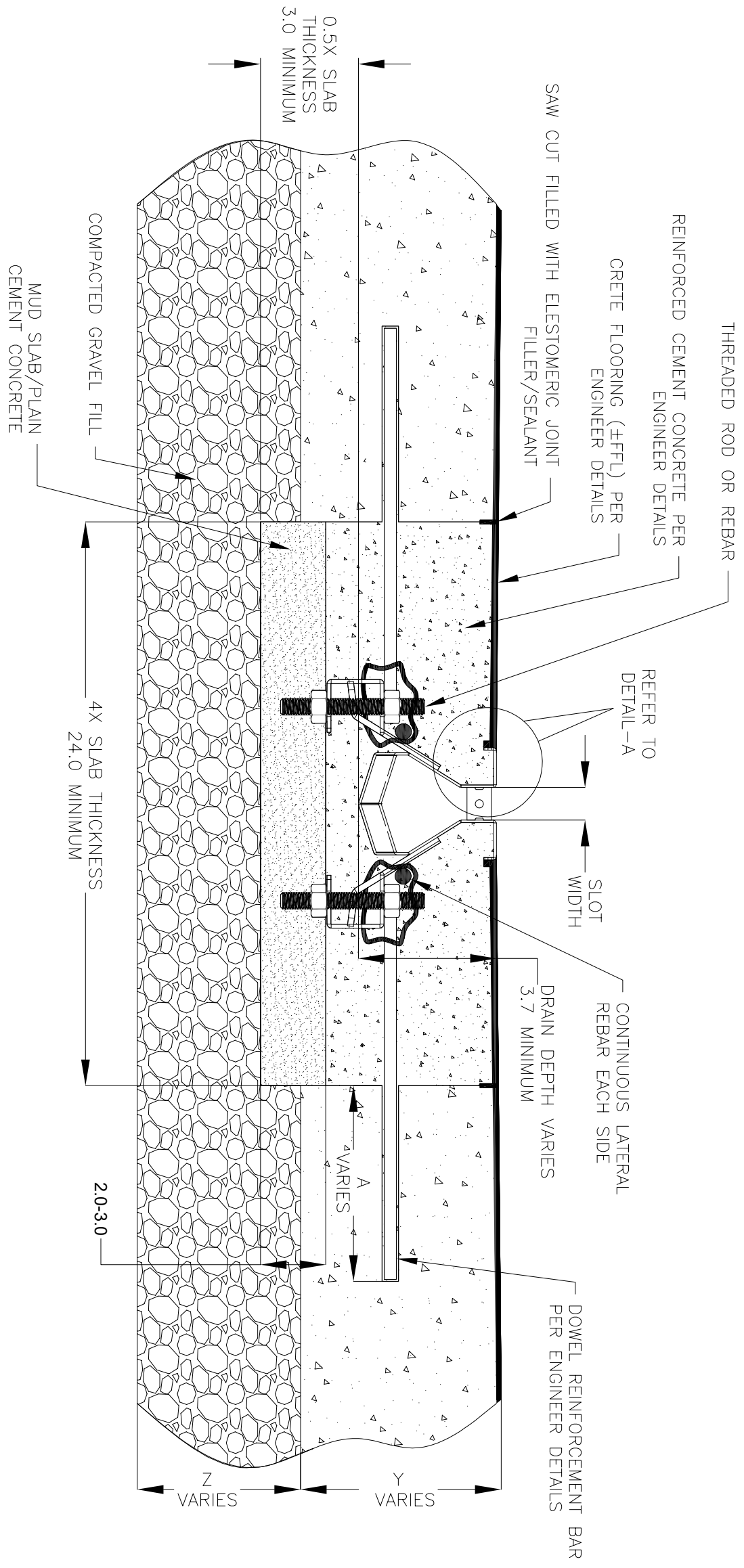


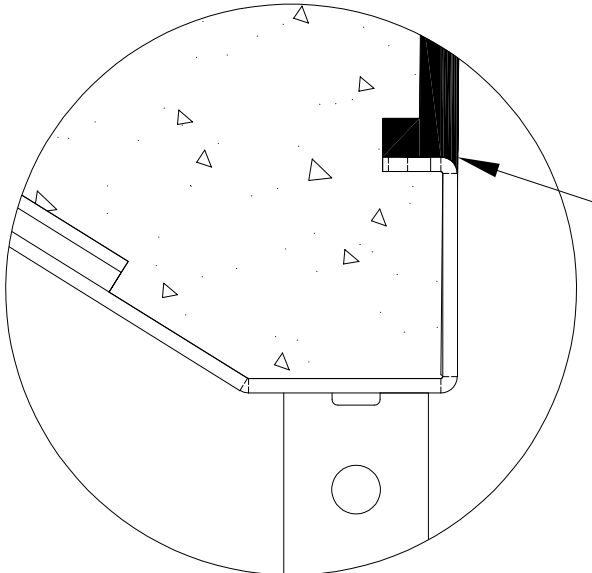
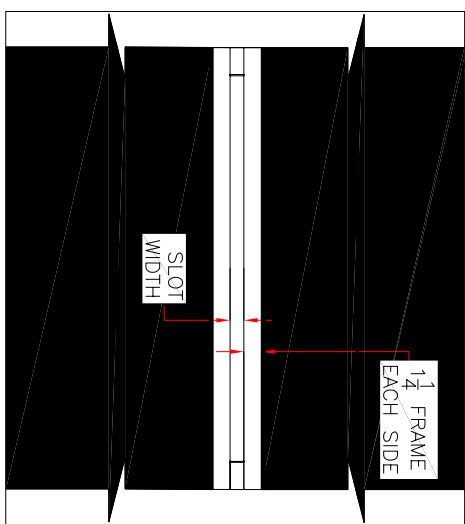
NOTES: UNLESS OTHERWISE SPECIFIED

1. ALL DIMENSIONS ARE IN INCHES.
2. DRAIN BODY MATERIAL: 1 1/4" STAINLESS STEEL T304/T316
3. SPECIFYING ENGINEER IS RESPONSIBLE FOR CONCRETE ENCASUREMENT AND REINFORCING BASED UPON APPLICATION AND LOCAL CODES.
4. REFER TO <https://info.slotdrainsystems.com/installresources> FOR INSTALLATION INSTRUCTIONS.



6000P SERIES SLOT DRAIN INSTALLATION DETAILS

CRETE FLOORING (FFFL) PER ENGINEER DETAILS



REVISIONS			
REV	DESCRIPTION	DATE	BY
0	INITIAL RELEASE - R0	8/6/2019	DK
1	UPDATED THE DRAIN SECTION	11/19/2019	DK
2	UPDATED THE DRAIN LAYOUT	12/2/2020	DK
2	UPDATED THE REBAR DETAILS	7/14/2021	DK

SLOT DRAIN
SYSTEMS

855.497.7508
info@slotdrainsystems.com
www.slotdrainsystems.com

ALL DRAWINGS ARE THE EXCLUSIVE PROPERTY OF SLOT DRAIN SYSTEMS. ANY REPRODUCTION IN PART OR IN WHOLE IS PROHIBITED WITHOUT PROPER CONSENT.

DRAWING TITLE: CRETE FLOOR-RETROFIT INSTALLATION

DRAIN SERIES: 6000P SERIES SLOT DRAIN

REV: 3

DWG NO.: IN-SD6000P-100-R3

SIZE: B

SCALE: NTS

SHEET: 1 OF 1