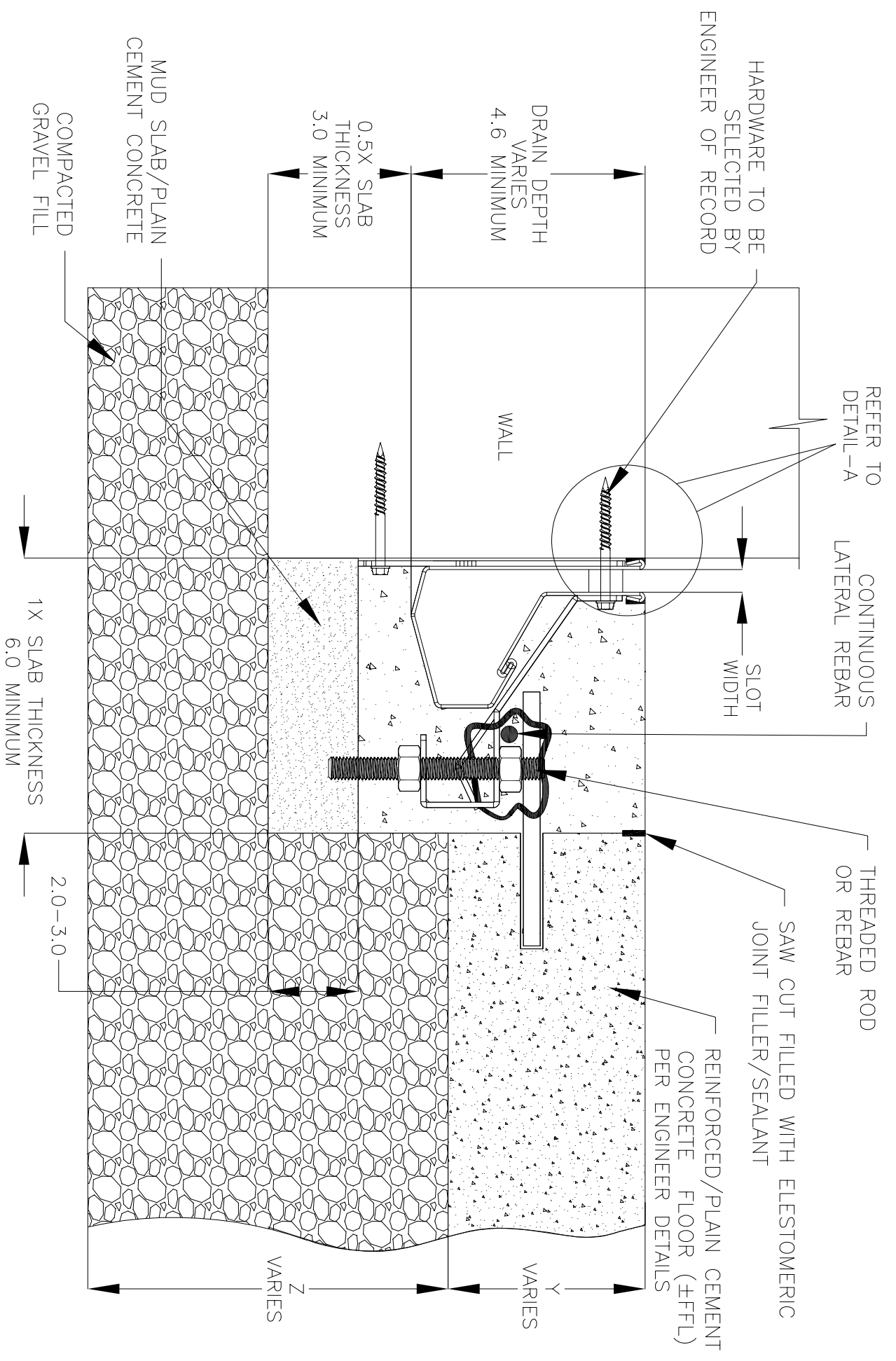


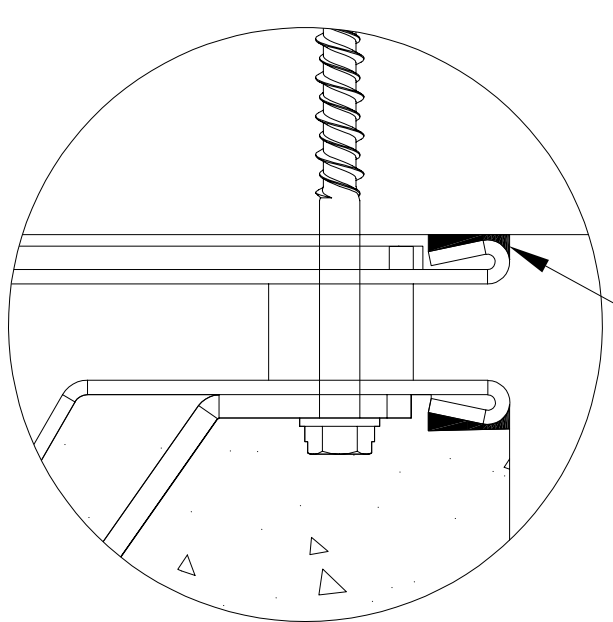
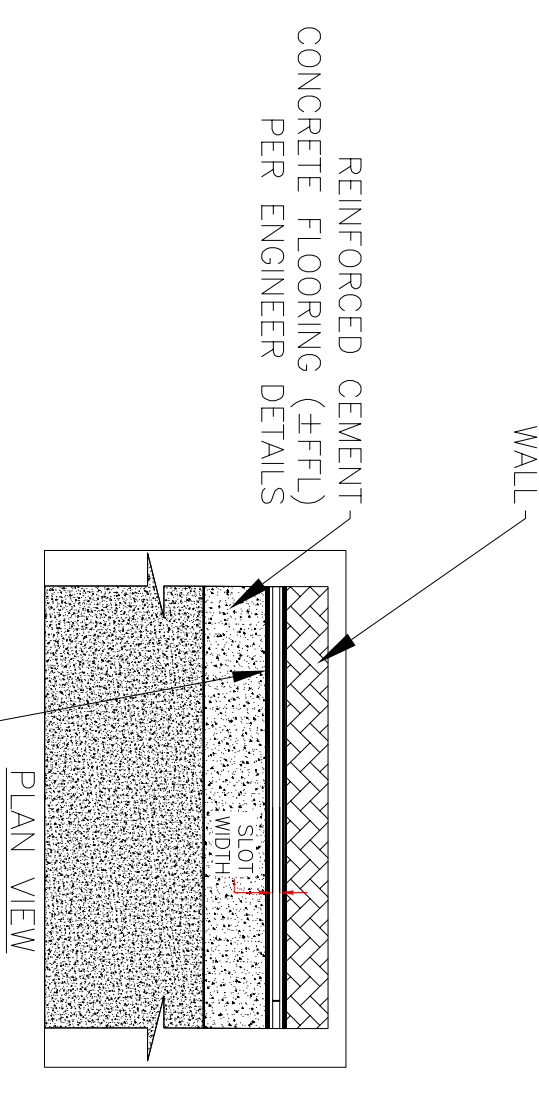
NOTES: UNLESS OTHERWISE SPECIFIED

1. ALL DIMENSIONS ARE IN INCHES.
2. DRAIN BODY MATERIAL: 1 4GA STAINLESS STEEL T304/T316
3. SPECIFYING ENGINEER IS RESPONSIBLE FOR CONCRETE ENCASUREMENT AND REINFORCING BASED UPON APPLICATION AND LOCAL CODES.
4. REFER TO <https://info.slotdrainsystems.com/installresources> FOR INSTALLATION INSTRUCTIONS.



4000 SERIES SLOT DRAIN WALL INSTALLATION DETAILS

REVISIONS		DATE	BY
REV	DESCRIPTION	4/26/2019	DK
0	INITIAL RELEASE - RO	3/19/2020	DK
1	UPDATED THE LEVELER & WALL CONNECTION	7/14/2021	DK
2	UPDATED THE DRAIN LAYOUT		



DETAIL-A

855.497.7508
info@slotdrainsystems.com
www.slotdrainsystems.com

DRAWING TITLE		CONCRETE FLOOR-RETROFIT WALL INSTALLATION	
DRAIN SERIES		4000 SERIES SLOT DRAIN	
DWG NO.	SIZE	SCALE	SHEET
IN-SD4000-101-R2	B	NTS	1 OF 1
ALL DRAWINGS ARE THE EXCLUSIVE PROPERTY OF SLOT DRAIN SYSTEMS. ANY REPRODUCTION IN PART OR IN WHOLE IS PROHIBITED WITHOUT PROPER CONSENT.			REV.
			2