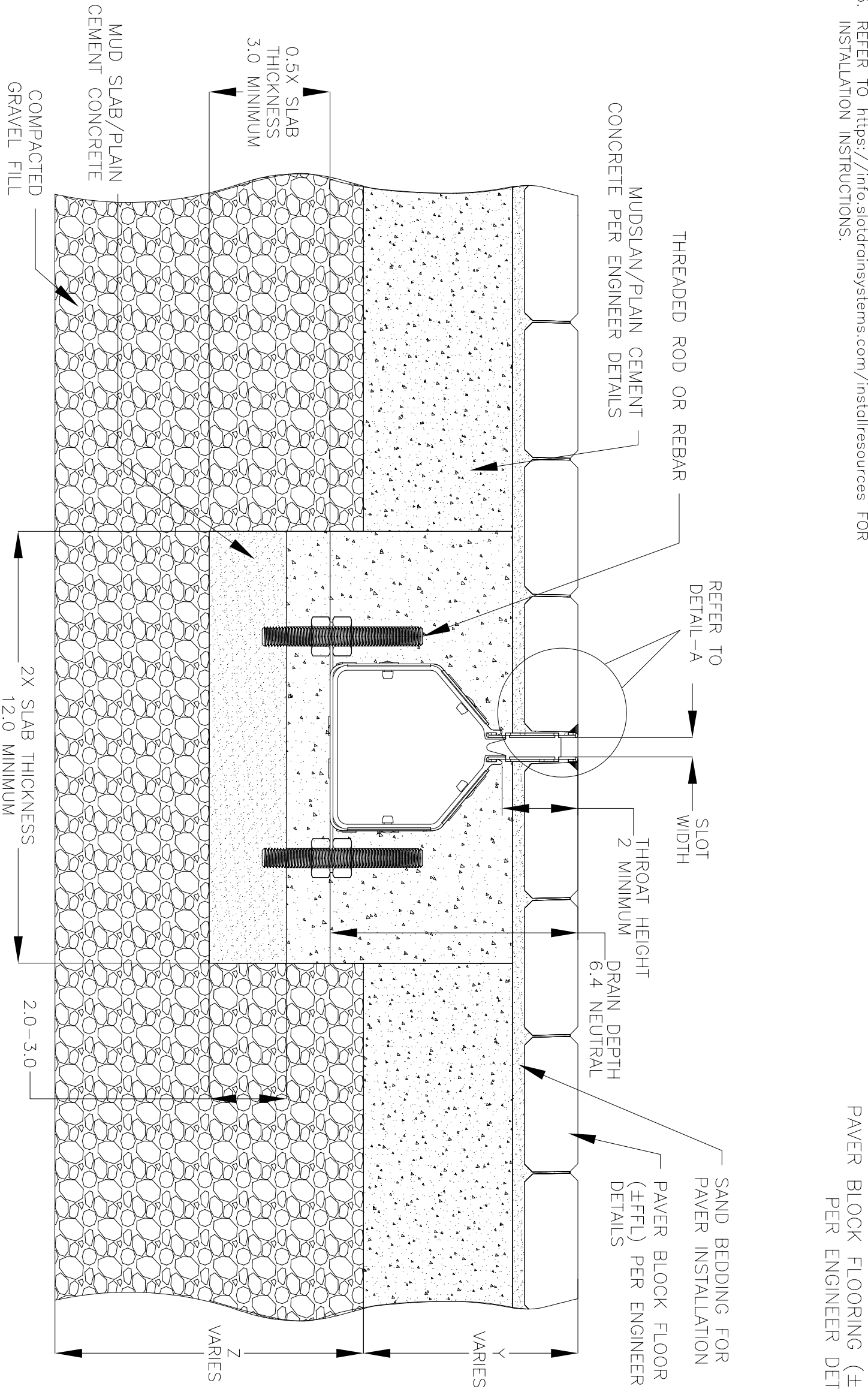
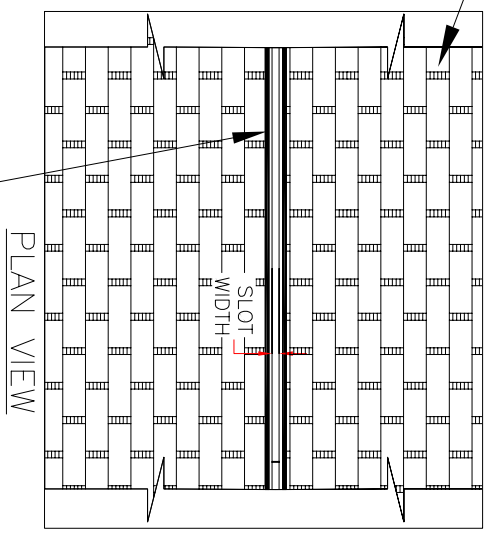


NOTES: UNLESS OTHERWISE SPECIFIED

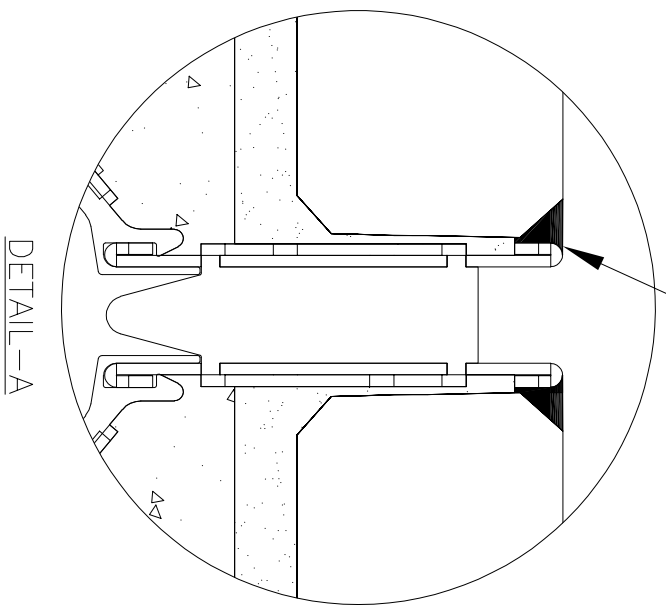
1. ALL DIMENSIONS ARE IN INCHES.
2. DRAIN THROAT MATERIAL: STAINLESS STEEL T304/T316
3. DRAIN BODY MATERIAL: HIGH END PLASTIC
4. SPECIFYING ENGINEER IS RESPONSIBLE FOR CONCRETE ENCASEMENT AND REINFORCING BASED UPON APPLICATION AND LOCAL CODES.
5. REFER TO <https://info.slotdrainsystems.com/installresources> FOR INSTALLATION INSTRUCTIONS.



PAVER BLOCK FLOORING (±FFL)  
PER ENGINEER DETAILS



SEALANT BETWEEN  
±FFL AND DRAIN TOP



3000 SERIES SLOT DRAIN INSTALLATION DETAILS

ALL DRAWINGS ARE THE EXCLUSIVE PROPERTY OF SLOT DRAIN SYSTEMS. ANY REPRODUCTION IN PART OR IN WHOLE IS PROHIBITED WITHOUT PROPER CONSENT.

REV	DESCRIPTION	DATE	BY
0	INITIAL RELEASE - RO	12/8/2019	DK
1	UPDATED THE DRAIN LAYOUT	7/14/2021	DK

DRAWING TITLE		PAVER BLOCK FLOORING-RETROFIT INSTALLATION	
DRAIN SERIES		3000 SERIES SLOT DRAIN	
DWG NO.	IN-SD3000-100-R1	SIZE	B
SCALE	NTS	SHEET	1 OF 1

**SLOT DRAIN SYSTEMS**  
855.497.7508  
info@slotdrainsystems.com  
www.slotdrainsystems.com