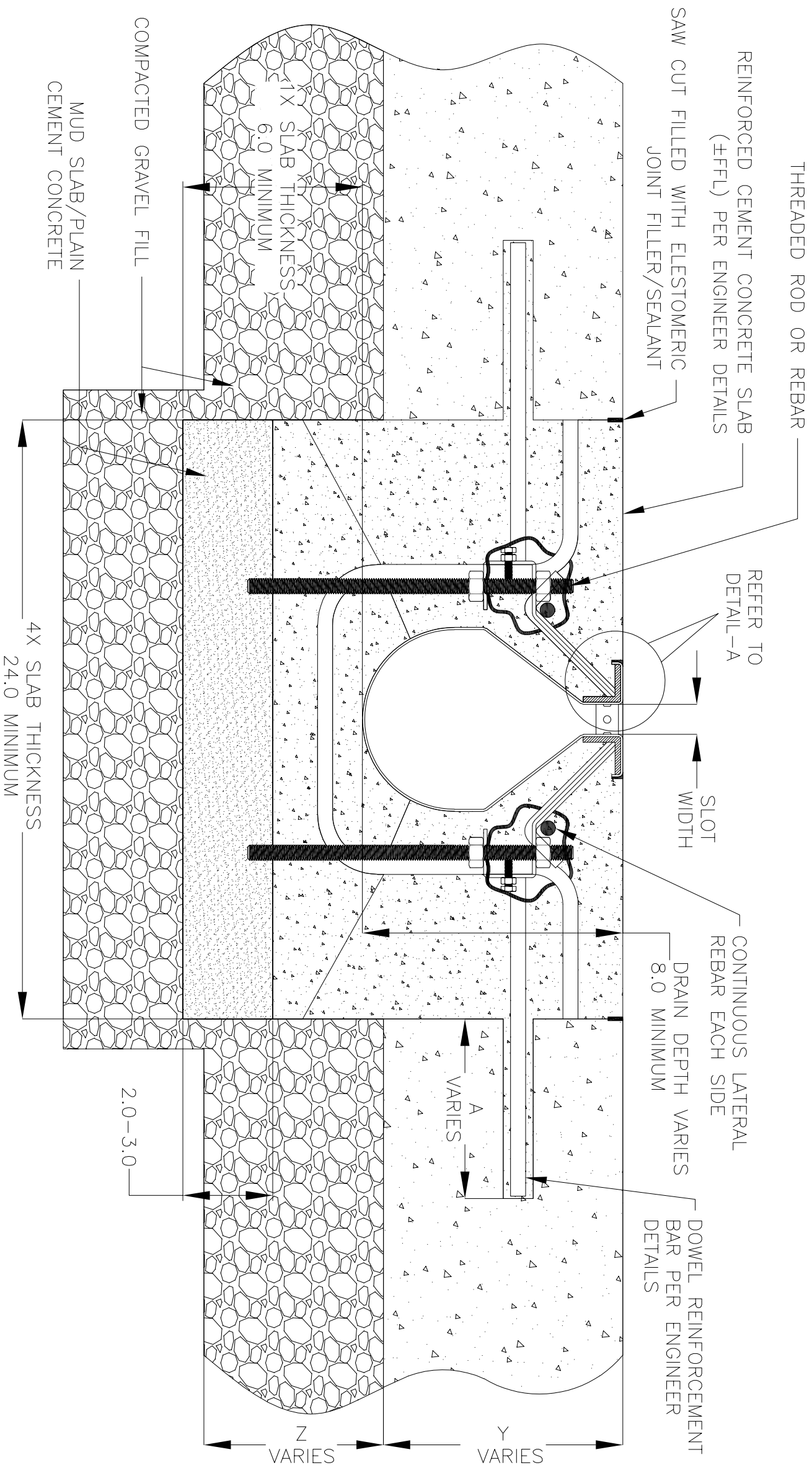


NOTES: UNLESS OTHERWISE SPECIFIED

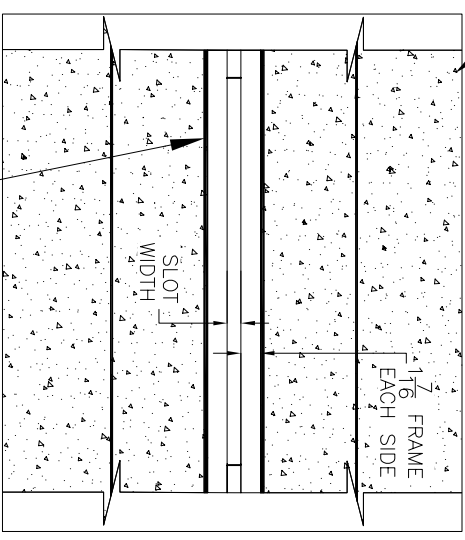
1. ALL DIMENSIONS ARE IN INCHES.
2. DRAIN BODY MATERIAL: 14GA STAINLESS STEEL T304/T316
3. SPECIFYING ENGINEER IS RESPONSIBLE FOR CONCRETE ENCASEMENT AND REINFORCING BASED UPON APPLICATION AND LOCAL CODES.
4. REFER TO <https://info.slotdrainsystems.com/installresources> FOR INSTALLATION INSTRUCTIONS.



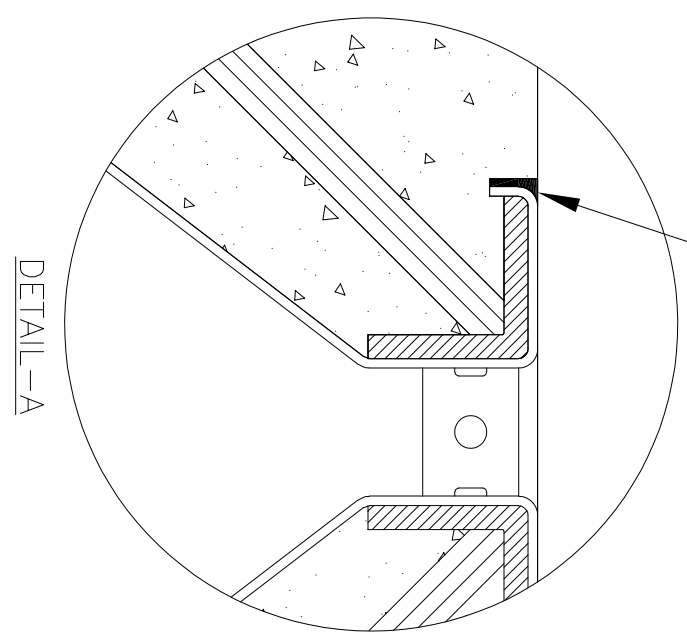
10000 SERIES SLOT DRAIN INSTALLATION DETAILS

REINFORCED CEMENT CONCRETE SLAB (±FFL) PER ENGINEER DETAILS

REVISIONS			
REV	DESCRIPTION	DATE	BY
0	INITIAL RELEASE - RO	6/8/2019	DK
1	UPDATED DRAIN LAYOUT	12/2/2020	DK
2	UPDATED THE REBAR DETAILS	7/13/2021	DK



SEALANT BETWEEN ±FFL AND DRAIN TOP



855.497.7508
info@slotdrainsystems.com
www.slotdrainsystems.com

DRAWING TITLE
CONCRETE FLOOR-RETROFIT INSTALLATION

DRAIN SERIES
10000 SERIES SLOT DRAIN

DWG NO.	SIZE	SCALE	SHEET
IN-SD10000-101-R2	B	NTS	1 OF 1

ALL DRAWINGS ARE THE EXCLUSIVE PROPERTY OF SLOT DRAIN SYSTEMS. ANY REPRODUCTION IN PART OR IN WHOLE IS PROHIBITED WITHOUT PROPER CONSENT.

REV.
2