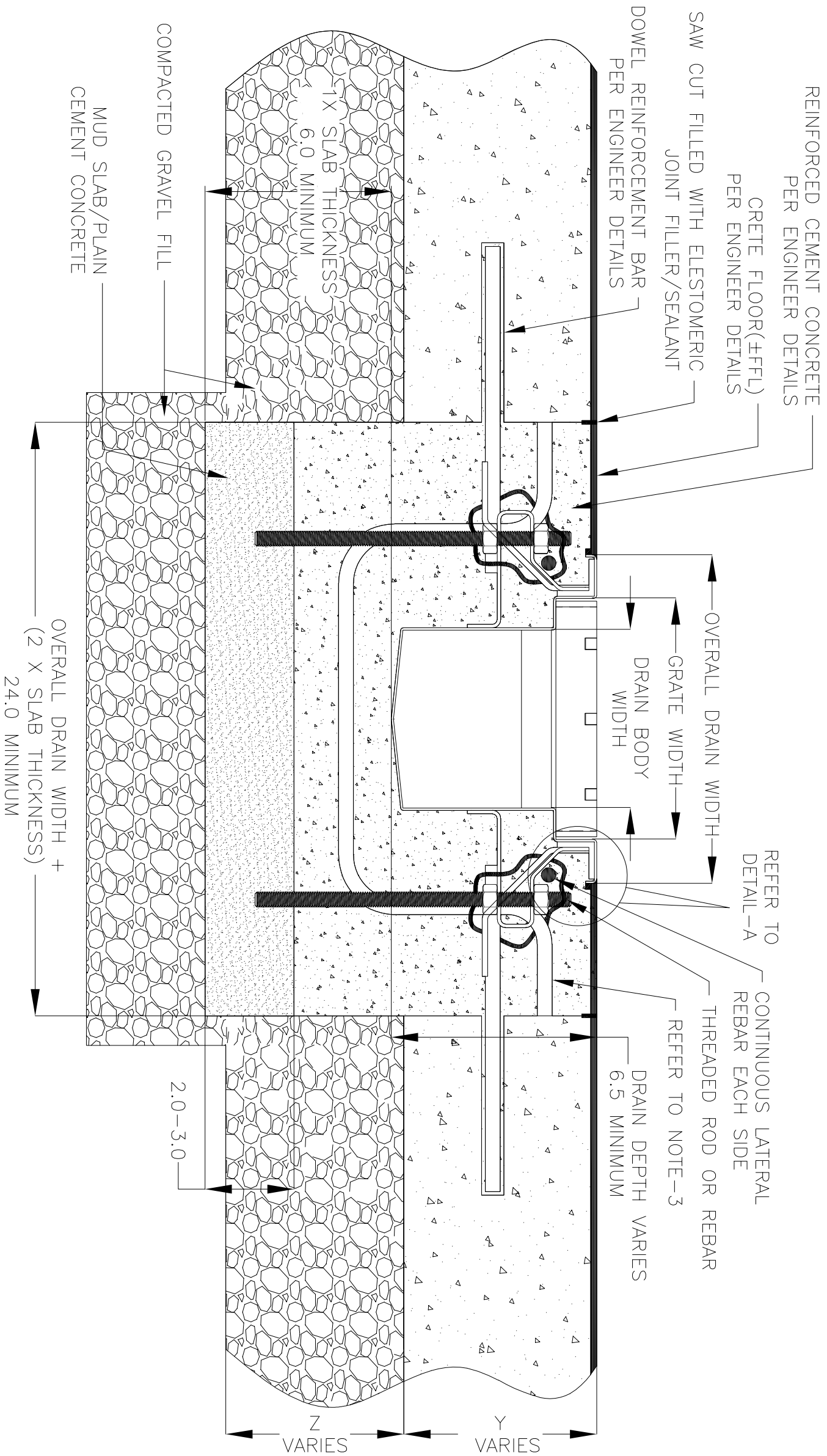
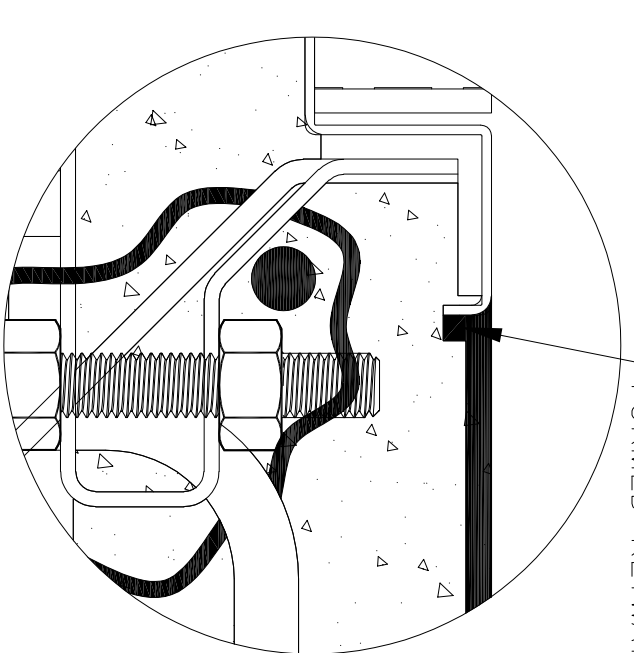
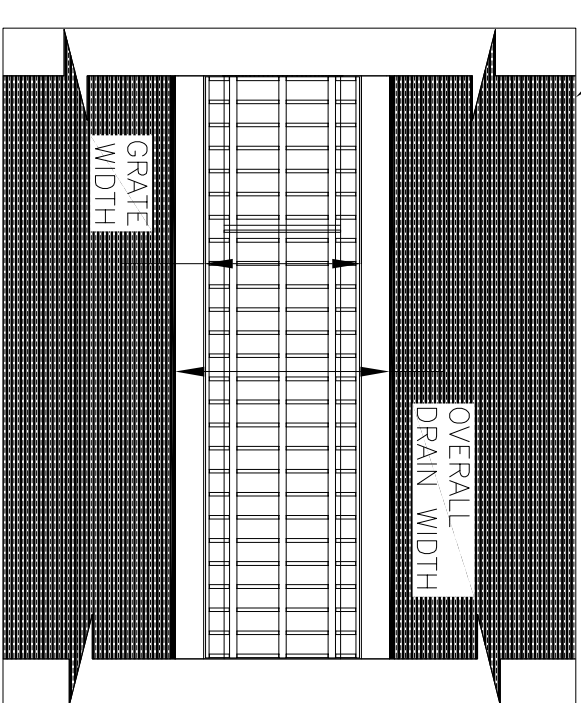


NOTES: UNLESS OTHERWISE SPECIFIED

1. ALL DIMENSIONS ARE IN INCHES.
2. DRAIN BODY MATERIAL: 14GA STAINLESS STEEL T304/T316
3. GRATING: PLAN/SERRATED BAR GRATING, UPTO 'E' LOAD CLASS AVAILABLE.
4. SPECIFYING ENGINEER IS RESPONSIBLE FOR CONCRETE ENCASMENT AND REINFORCING BASED UPON APPLICATION AND LOCAL CODES.
5. REFER TO <https://info.slotdrainsystems.com/installresources> FOR INSTALLATION INSTRUCTIONS.



CRETE FLOOR (±FFL) PER ENGINEER DETAILS



FOOD SAFE 'V' BOTTOM TRENCH DRAIN INSTALLATION DETAILS

REVISIONS		DATE	BY
REV	DESCRIPTION		
0	INITIAL RELEASE - R0	2/3/2020	DK
1	UPDATED DRAIN LAYOUT & REBAR DETAILS	9/14/2021	DK

SLOT DRAIN SYSTEMS

855.497.7508
 info@slotdrainsystems.com
 www.slotdrainsystems.com

DRAWING TITLE				CRETE FLOOR-RETROFIT INSTALLATION			
DRAIN SERIES				FOOD SAFE 'V' BOTTOM TRENCH DRAIN			
DWG NO.	SIZE	SCALE	SHEET	REV.			
IN-FTV-101-R1	B	NTS	1 OF 1	1			

ALL DRAWINGS ARE THE EXCLUSIVE PROPERTY OF SLOT DRAIN SYSTEMS. ANY REPRODUCTION IN PART OR IN WHOLE IS PROHIBITED WITHOUT PROPER CONSENT.