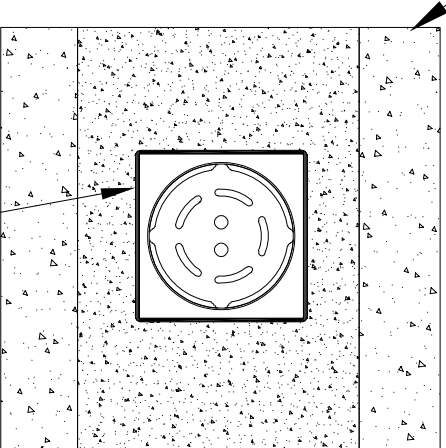
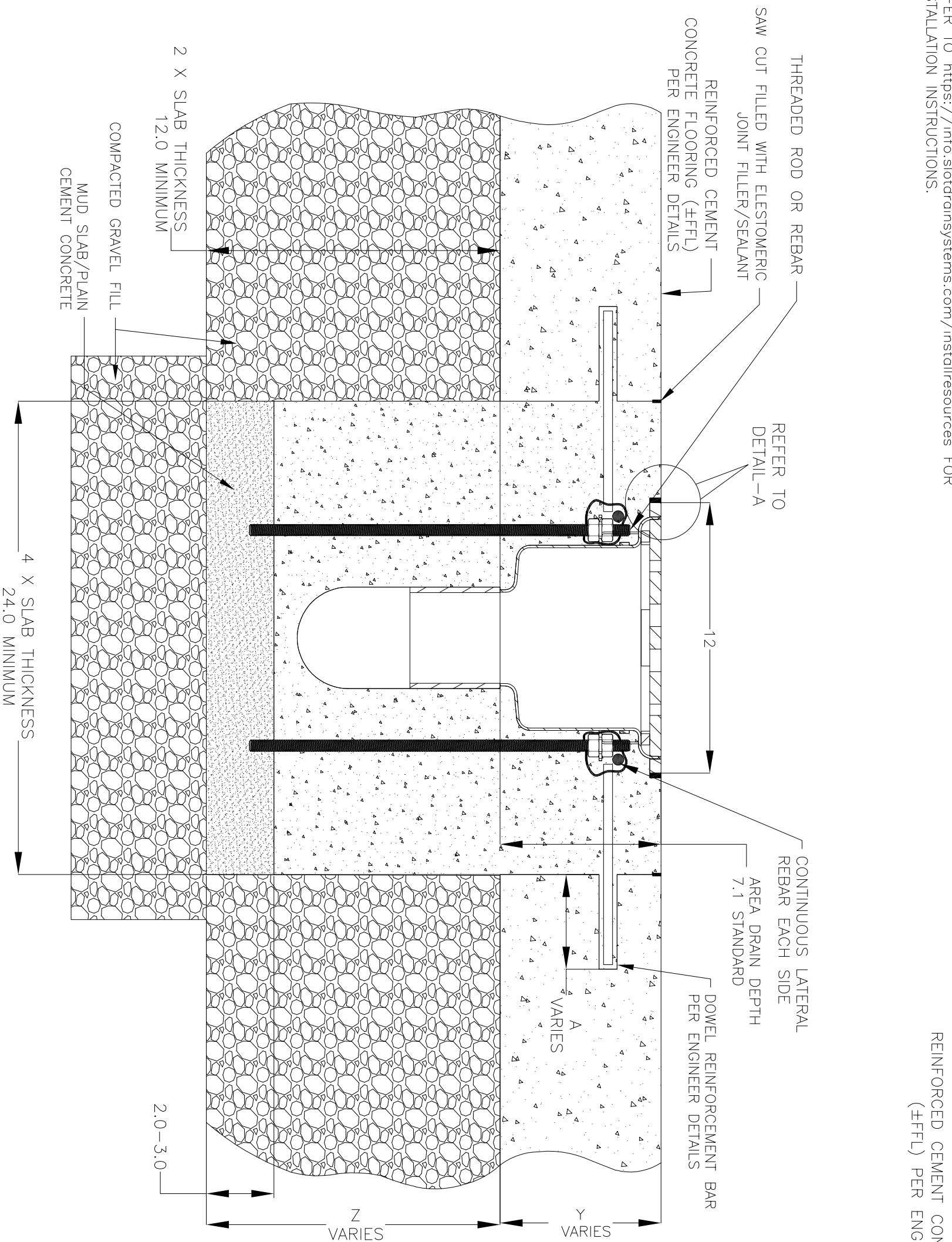
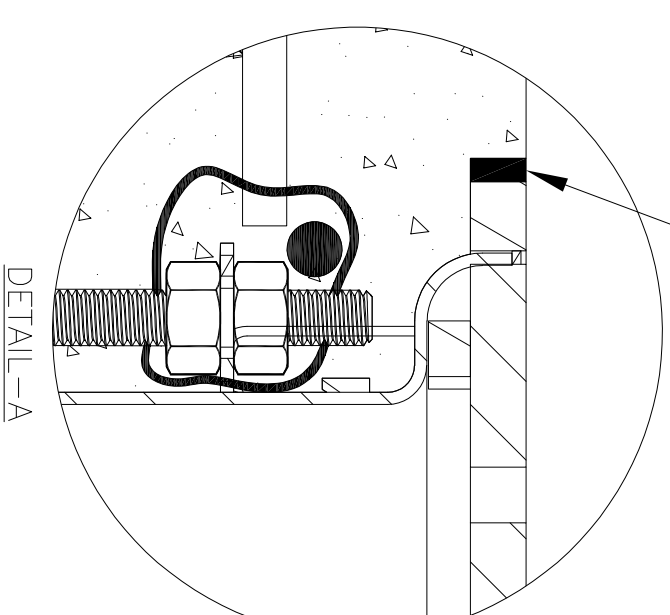


NOTES: UNLESS OTHERWISE SPECIFIED

1. ALL DIMENSIONS ARE IN INCHES.
2. AREA DRAIN BODY MATERIAL: 12GA STAINLESS STEEL T316
3. SPECIFYING ENGINEER IS RESPONSIBLE FOR CONCRETE ENCASUREMENT AND REINFORCING BASED UPON APPLICATION AND LOCAL CODES.
4. REFER TO <https://info.slotdrainsystems.com/installresources> FOR INSTALLATION INSTRUCTIONS.



PLAN VIEW



SEALANT BETWEEN FFFL AND CATCH BASIN TOP

REVISIONS		DATE	BY
REV	DESCRIPTION		
0	INITIAL RELEASE - RO	4/15/2020	DK
1	UPDATED DRAWING LAYOUT & REBAR DETAILS	7/14/2021	DK

**SLOT DRAIN SYSTEMS**  
855.497.7508  
info@slotdrainsystems.com  
www.slotdrainsystems.com

DRAWING TITLE  
CONCRETE FLOOR-RETROFIT INSTALLATION

DRAIN SERIES		SIZE	SCALE	SHEET	REV.
FOOD SAFE SQUARE TOP AREA DRAIN		B	NTS	1 OF 1	1
DWG NO.		IN-FSADS-101-R1			

FOOD SAFE SQUARE TOP ROUND AREA DRAIN INSTALLATION DETAILS

ALL DRAWINGS ARE THE EXCLUSIVE PROPERTY OF SLOT DRAIN SYSTEMS. ANY REPRODUCTION IN PART OR IN WHOLE IS PROHIBITED WITHOUT PROPER CONSENT.