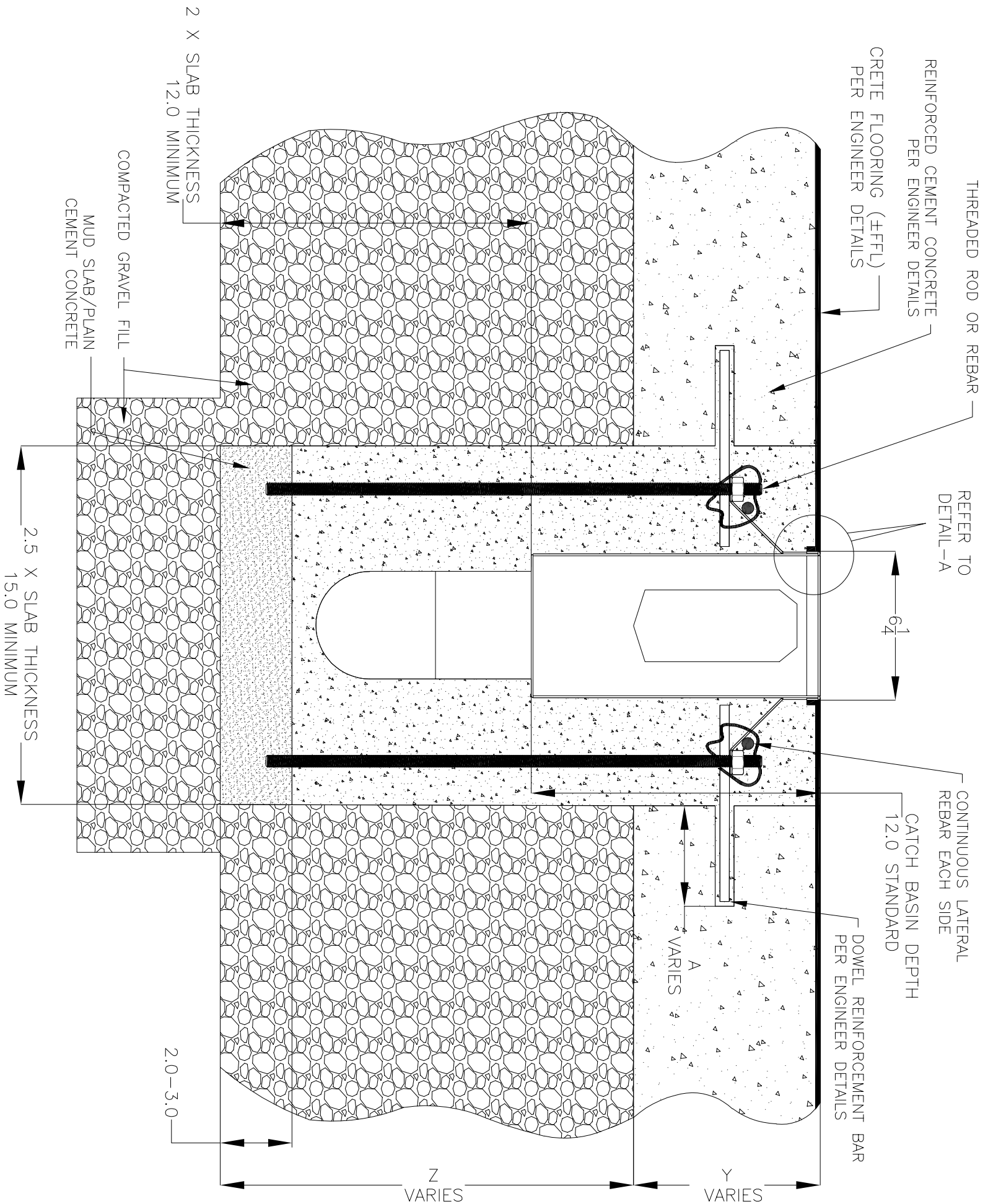
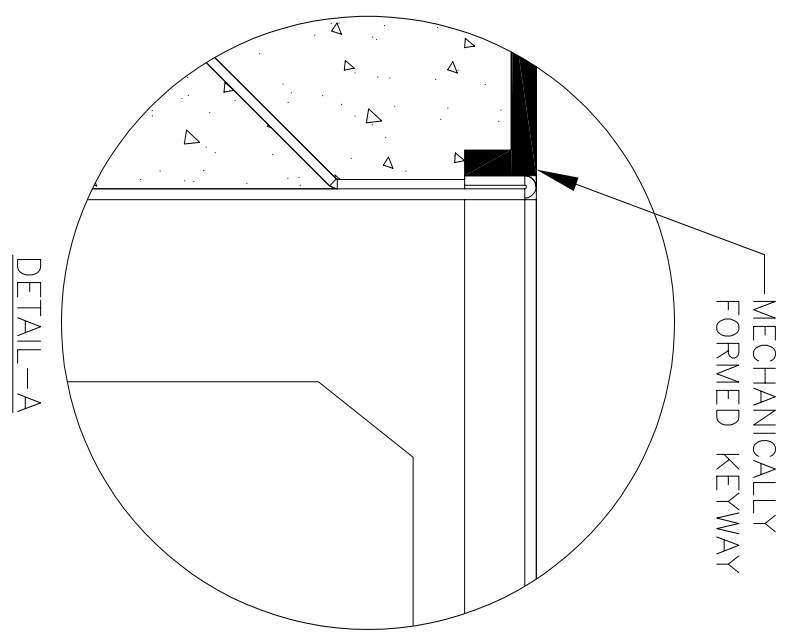
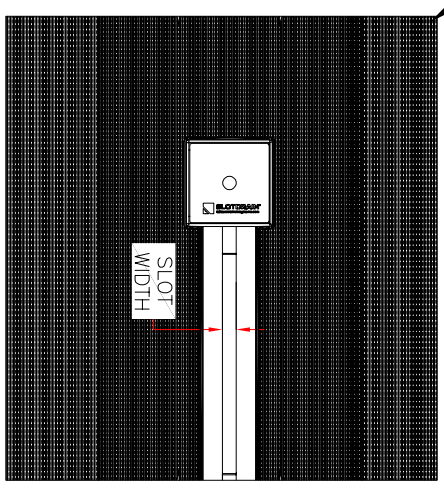


NOTES: UNLESS OTHERWISE SPECIFIED

1. ALL DIMENSIONS ARE IN INCHES.
2. DRAIN BODY MATERIAL: 14GA STAINLESS STEEL T304/T316
3. SPECIFYING ENGINEER IS RESPONSIBLE FOR CONCRETE ENCASEMENT AND REINFORCING BASED UPON APPLICATION AND LOCAL CODES.
4. REFER TO <https://info.slotdrainsystems.com/installresources> FOR INSTALLATION INSTRUCTIONS.



CRETE FLOOR (±FFL) PER ENGINEER DETAILS



REVISIONS		DATE	BY
REV/	DESCRIPTION		
0	INITIAL RELEASE - R0	11/20/2019	DK
1	UPDATED DRAWING LAYOUT & REBAR DETAILS	7/14/2021	DK

SLOT DRAIN
SYSTEMS

855.497.7508
info@slotdrainsystems.com
www.slotdrainsystems.com

ALL DRAWINGS ARE THE EXCLUSIVE PROPERTY OF SLOT DRAIN SYSTEMS. ANY REPRODUCTION IN PART OR IN WHOLE IS PROHIBITED WITHOUT PROPER CONSENT.

DRAWING TITLE		REV.	
CRETE FLOOR-RETROFIT INSTALLATION		1	
DRAIN SERIES		SIZE	SHEET
6X6X12 CATCH BASIN		B	1 OF 1
DWG NO.	SCALE	NTS	1 OF 1
IN-6X6X12PIT-101-R1			

6X6X12 CATCH BASIN INSTALLATION DETAILS