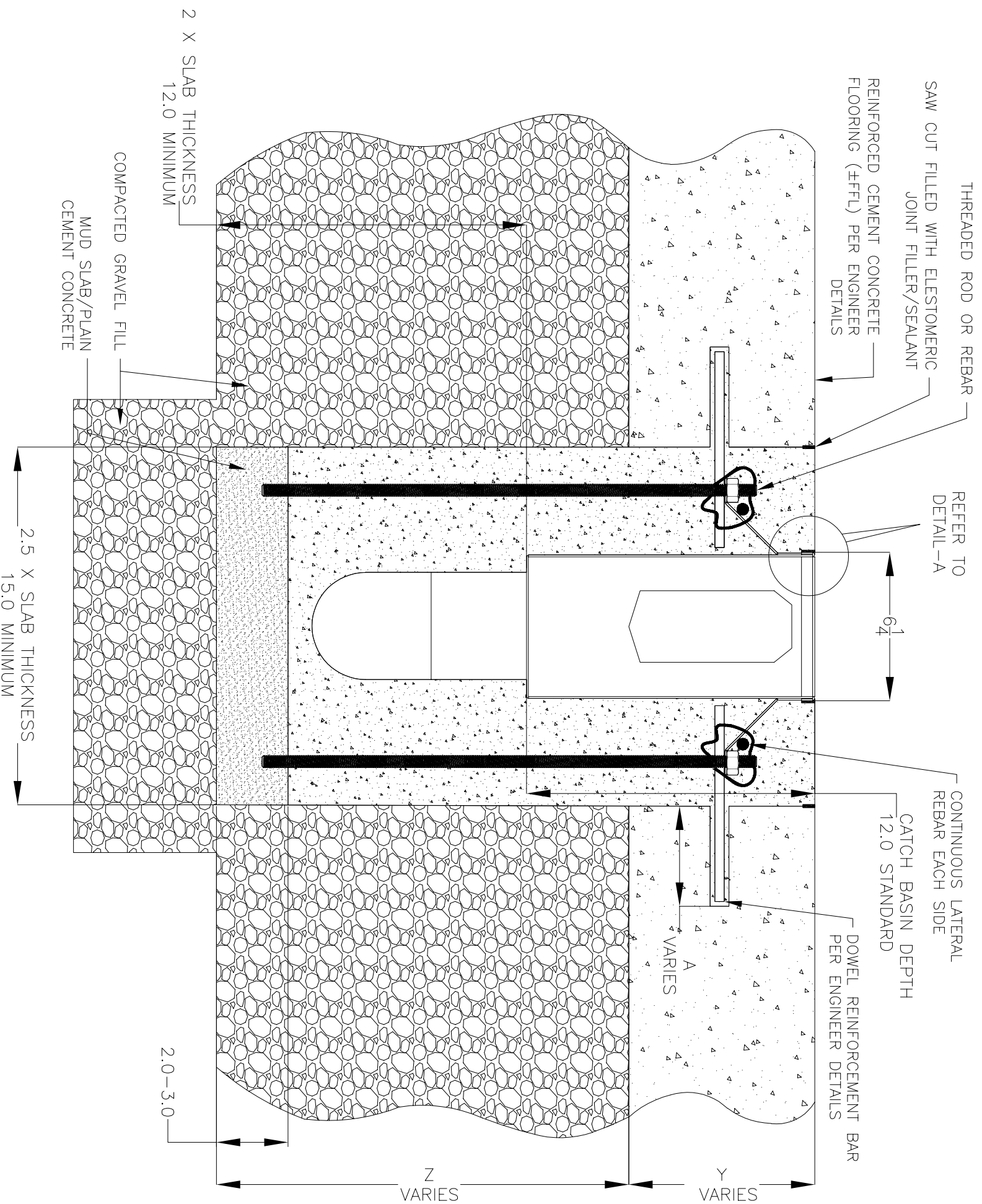
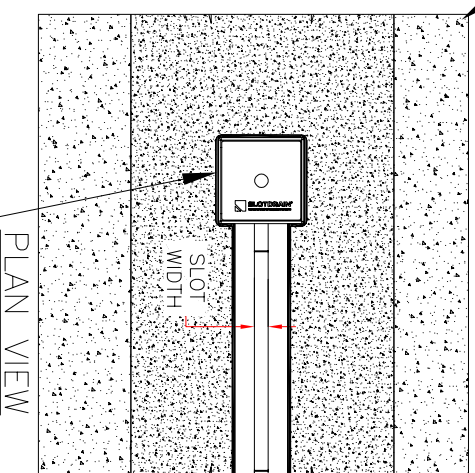


NOTES: UNLESS OTHERWISE SPECIFIED

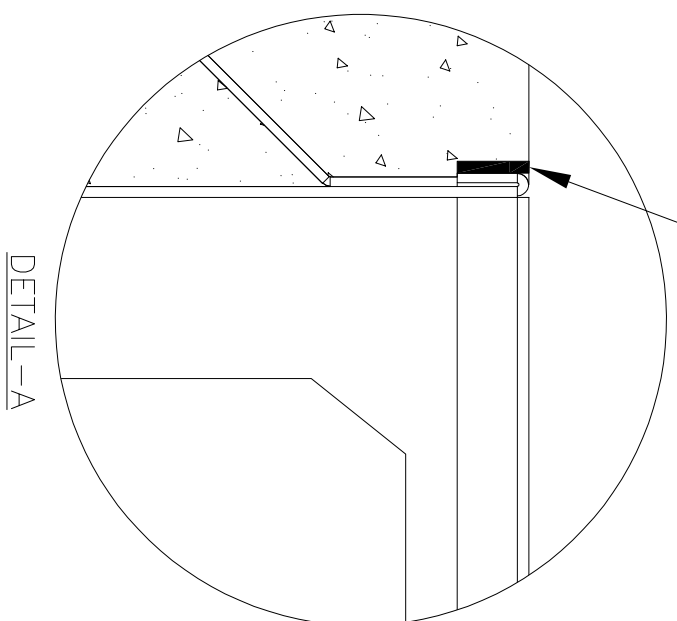
1. ALL DIMENSIONS ARE IN INCHES.
2. DRAIN BODY MATERIAL: 14GA STAINLESS STEEL T304/T316
3. SPECIFYING ENGINEER IS RESPONSIBLE FOR CONCRETE ENCASEMENT AND REINFORCING BASED UPON APPLICATION AND LOCAL CODES.
4. REFER TO <https://info.slotdrainsystems.com/installresources> FOR INSTALLATION INSTRUCTIONS.



REINFORCED CEMENT CONCRETE FLOOR (±FFL) PER ENGINEER DETAILS



SEALANT BETWEEN ±FFL AND CATCH BASIN TOP



DETAIL-A

6X6X12 CATCH BASIN INSTALLATION DETAILS



DRAWING TITLE  
CONCRETE FLOOR-RETROFIT INSTALLATION

ALL DRAWINGS ARE THE EXCLUSIVE PROPERTY OF SLOT DRAIN SYSTEMS. ANY REPRODUCTION IN PART OR IN WHOLE IS PROHIBITED WITHOUT PROPER CONSENT.

DWG NO.	SIZE	SCALE	SHEET	REV.
IN-6X6X12PIT-100-R1	B	NTS	1 OF 1	1

REVISIONS		DATE	BY
0	INITIAL RELEASE - R0	11/20/2019	DK
1	UPDATED DRAWING LAYOUT & REBAR DETAILS	7/14/2021	DK