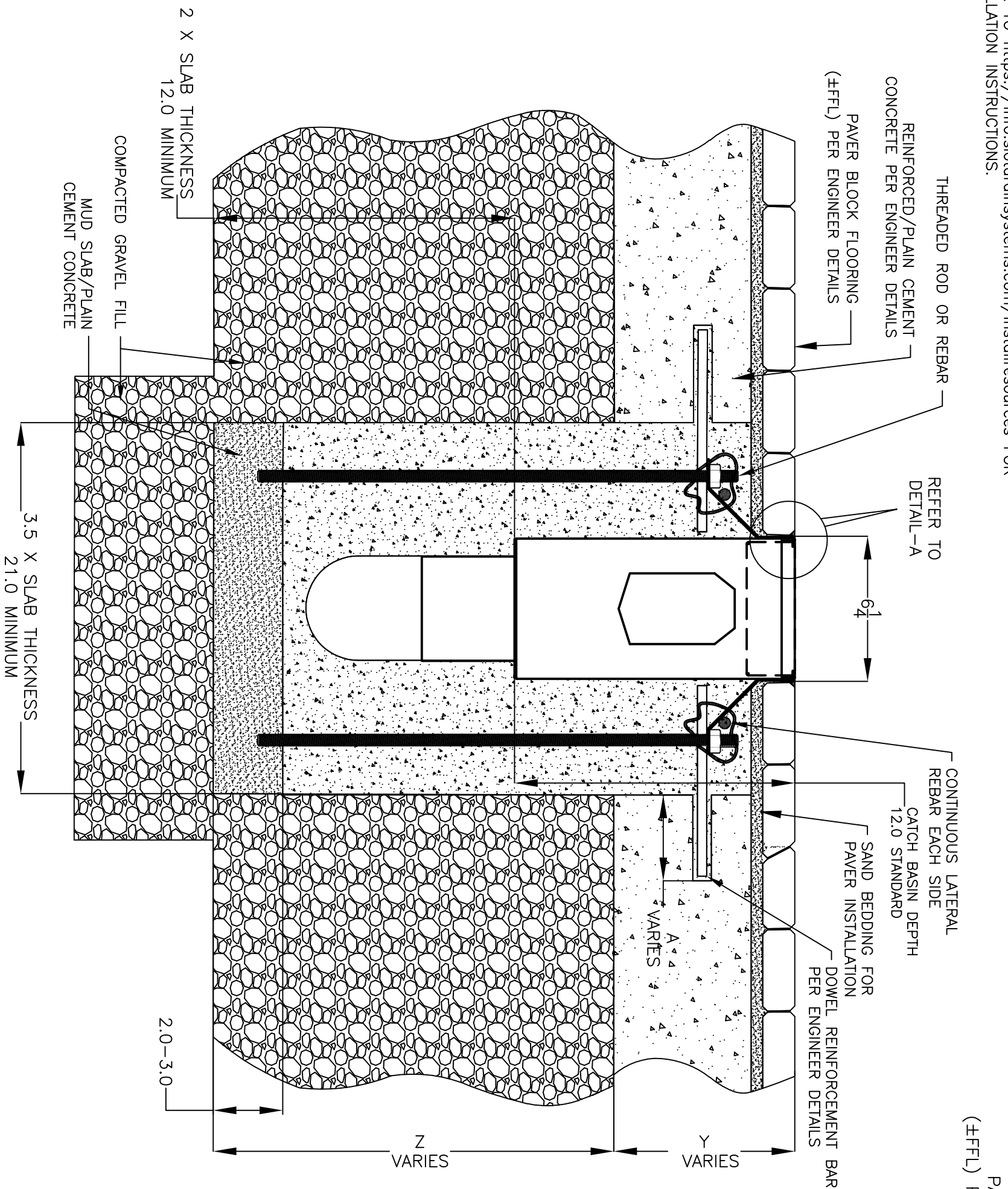
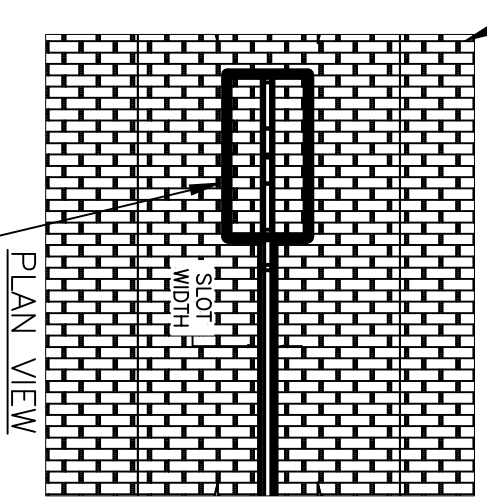


NOTES: UNLESS OTHERWISE SPECIFIED

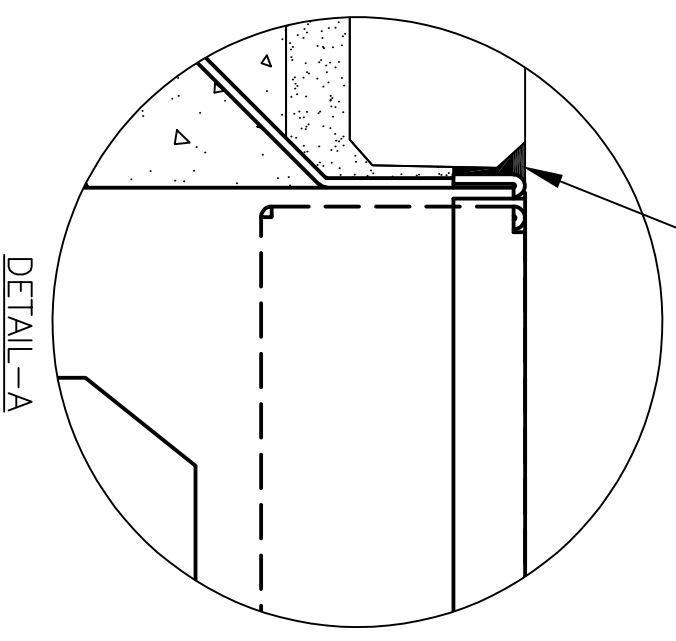
1. ALL DIMENSIONS ARE IN INCHES.
2. DRAIN BODY MATERIAL: 14GA STAINLESS STEEL T304/T316
3. SPECIFYING ENGINEER IS RESPONSIBLE FOR CONCRETE ENCASUREMENT AND REINFORCING BASED UPON APPLICATION AND LOCAL CODES.
4. REFER TO <https://info.slotdrainsystems.com/installresources> FOR INSTALLATION INSTRUCTIONS.



PAVER BLOCK FLOORING (FFFL) PER ENGINEER DETAILS



SEALANT BETWEEN FFFL AND CATCH BASIN TOP



DETAIL-A

REVISIONS		DATE	BY
REV	DESCRIPTION		
0	INITIAL RELEASE - RO	11/20/2019	DK
1	UPDATED DRAWING LAYOUT & REBAR DETAILS	7/14/2021	DK

SLOT DRAIN SYSTEMS
 855.497.7508
 info@slotdrainsystems.com
 www.slotdrainsystems.com

DRAWING TITLE
PAVER BLOCK FLOOR-RETROFIT INSTALLATION

DRAIN SERIES
6X12X12 CATCH BASIN WITH PANLID

DWG NO.	SIZE	SCALE	SHEET	REV.
IN-6X12X12PITPANLID-102-R1	B	NTS	1 OF 1	1

ALL DRAWINGS ARE THE EXCLUSIVE PROPERTY OF SLOT DRAIN SYSTEMS. ANY REPRODUCTION IN PART OR IN WHOLE IS PROHIBITED WITHOUT PROPER CONSENT.

6X12X12 CATCH BASIN INSTALLATION DETAILS